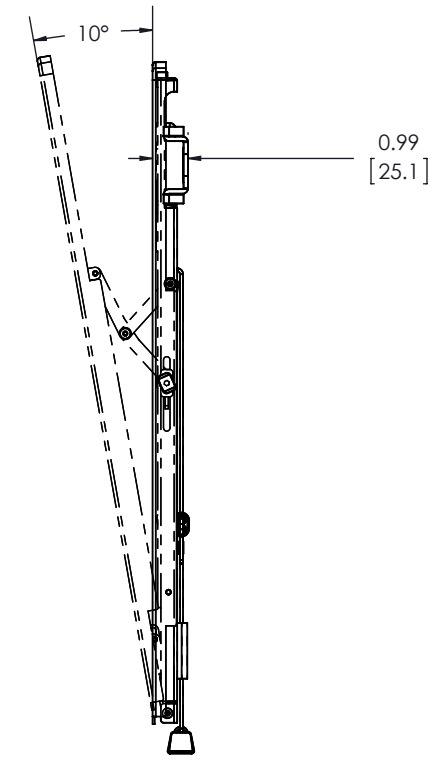
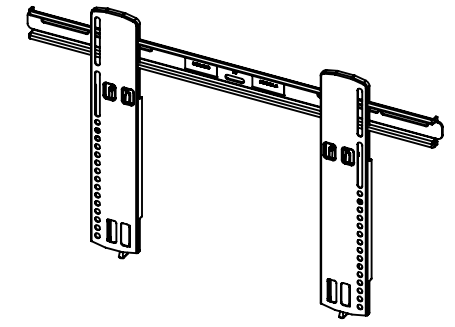
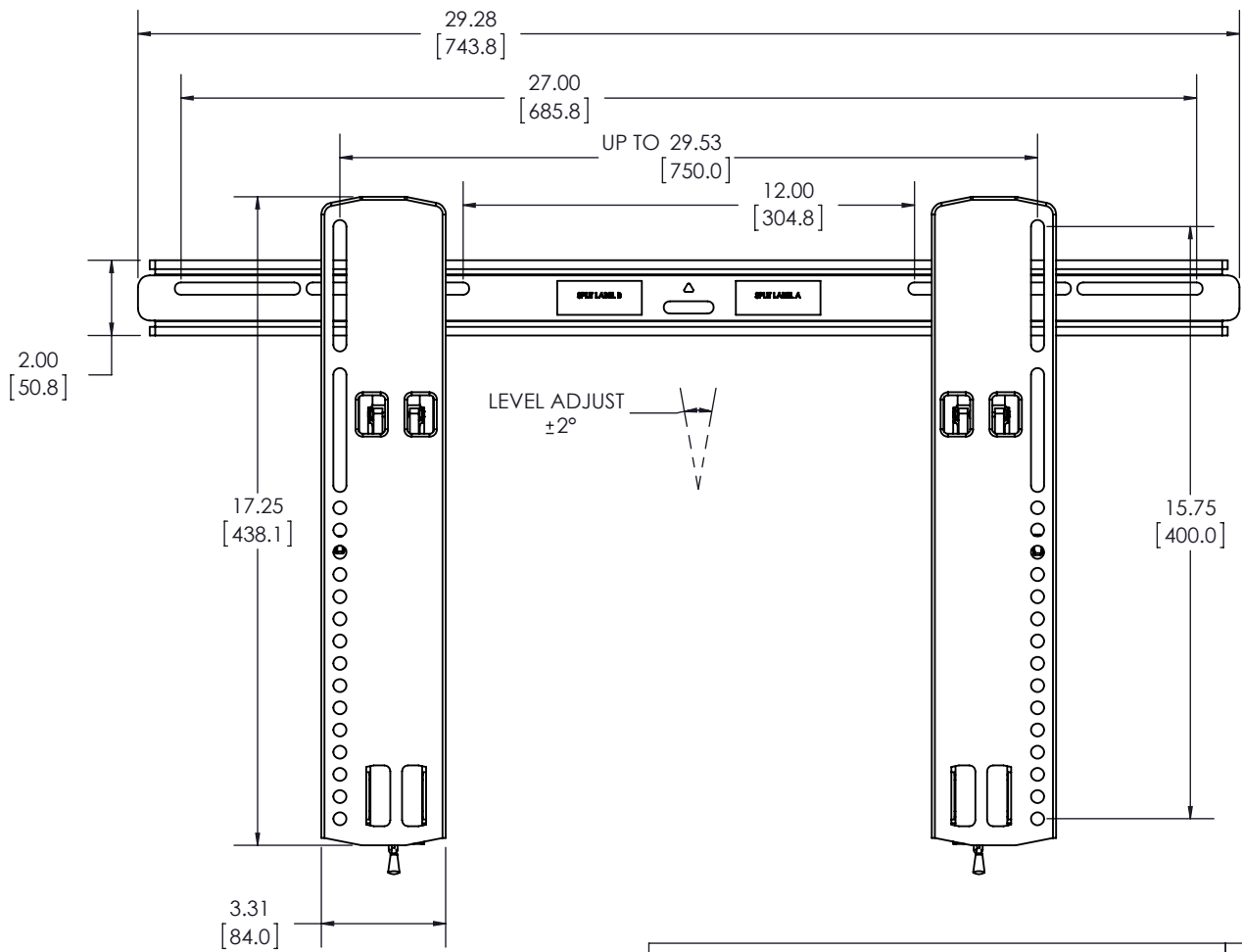


C

B

A



THE INFORMATION AND DESIGNS CONTAINED IN THIS DRAWING ARE CONFIDENTIAL AND THE PROPRIETARY PROPERTY OF MILESTONE AV TECHNOLOGIES NEITHER THIS DESIGN NOR ANY INFORMATION CONTAINED IN THIS DRAWING MAY BE REPRODUCED OR DISCLOSED TO OTHERS WITHOUT THE EXPRESS WRITTEN CONSENT OF MILESTONE AV TECHNOLOGIES. 本图纸所包含的信息和设计均系 Milestone 机密和知识产权，本图纸包含的设计和信在未经 Milestone 允许情况下均不得复制或泄露

| | | | |
|--|------------------------|---|--|
| CAD GENERATED DRAWING. DO NOT MANUALLY UPDATE. CAD 制图图，非手工更新 | | | SANUS ® 6436 CITY WEST PKWY EDEN PRAIRIE MN, 55344 PHONE: 866-977-3901 FAX: 877-894-6918 |
| DRAWN BY 绘图者 | JV | 4/15/2014 | |
| ENG APPROVAL 工程批准 | | | DESCRIPTION 描述 VLT16 |
| MFG APPROVAL 制造批准 | | | |
| QA APPROVAL 品质批准 | | | |
| SHEET 清 1 OF 单 1 | SCALE 比例 1:8 | SIZER 寸 DWG. NO. 图纸编号 A 6805-002132-XXX | REV. 修订 |

C

B

A