

Subscriber / Aux / Line Powered EV5 dSCR 5x2, 5x4, 5x6 and 5x8 multiswitches suitable for SKY Q[™] with 16 user bands with auto dSCR / SCR / Legacy capability

- EV5-D2 S 5 input 2 outputs,**
- EV5-D4 S 5 input 4 outputs,**
- EV5-D6S 5 input 6 outputs,**
- EV5-D8 S 5 input 8 outputs**

Cascadable 2, 4, 6 and 8-output single cable dSCR multiswitches for the distribution of satellite and terrestrial signals for up to sixteen satellite tuners or receivers on each output. These multiswitches automatically detect dSCR, SCR or legacy format from the receiver as well as SkyQ and Unicable dSCR formats. Built into a zinc alloy diecast housing for extreme interference immunity and supplied with pre-mounted output earth bars. EV5-dSCR multiswitches have the same connector pitch as existing Vision EV5 multiswitches for easy installation. Vision EV5-dSCR multiswitches have active terrestrial gain of up to 8dB for similar performance to existing EV5 multiswitches for easy system integration.

- 5 input – 5 output cascaded trunk line
- Ideal for insertion into existing 5-wire IRS trunk
- Control according to EN 50494/EN 50607
- Suitable for SkyQ, Unicable or Legacy mode
- Full Automatic Gain Control of satellite signal level on all outputs
- Always active terrestrial performance
- 4 x DC modes for convenient DC powering options
 - 1 - Subscriber Cable Power
 - 2 - Auxiliary DC input
 - 3 - DC power to the trunk
 - 4 - DC power from the trunk



EV5-D2S / EV5-D4S



EV5-D6S / EV5-D8S

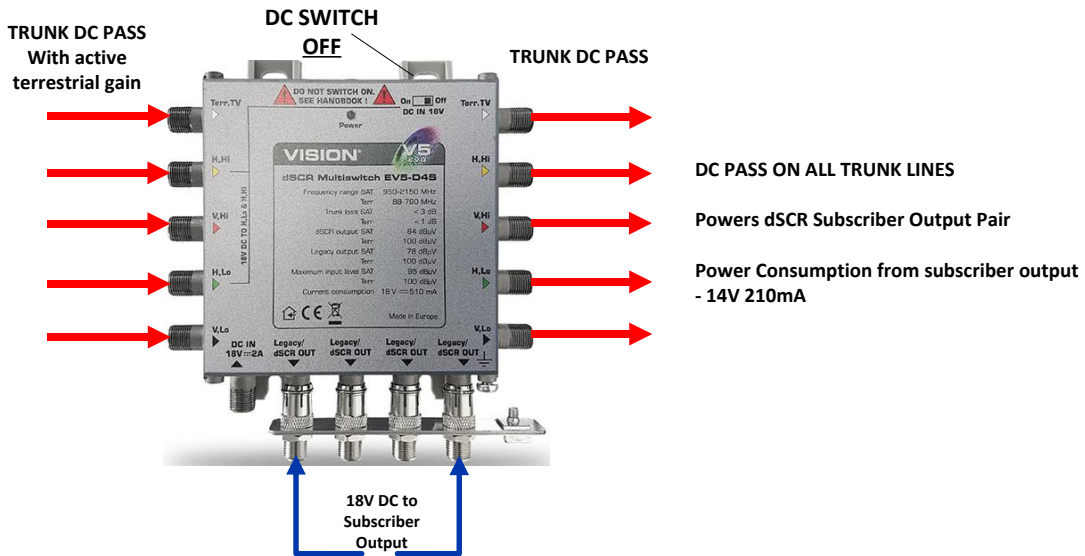
Datasheet



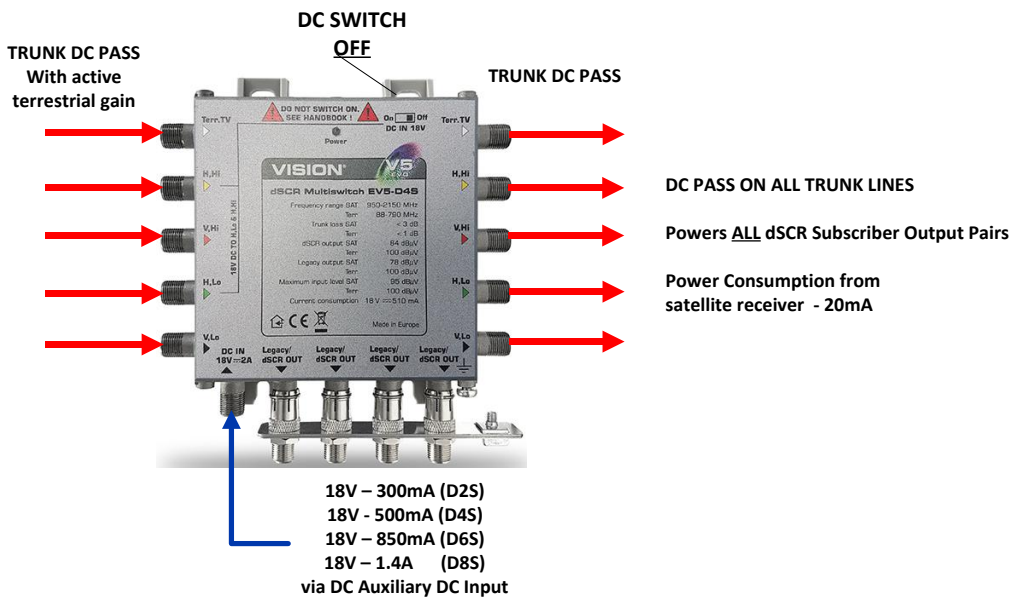
Model	EV5-D2 S	EV5-D4 S	EV5-D6 S	EV5-D8 S
Frequency Range SAT	950MHz – 2150MHz			
TERR	5 – 790MHz			
Number of Cascade Inputs/Outputs	4 SAT + 1 Terr			
Number of dSCR / Legacy outputs	2	4	6	8
Number of SAT user bands	16 per output			
Input level SAT (AGC)	60 – 95dBµV			
Input level Terr (max)	94dBµV			
Output at dSCR mode with DTT	SAT 84dBµV (AGC) Terr 100dBµV max			
Output Legacy mode	SAT 78dBµV Terr 100dBµV max			
Gain SAT / Terr	SAT AGC – Terr 8dB	SAT AGC – Terr 4dB	SAT AGC - Terr +8dB	
Trunk Loss SAT / Terr	<2dB / <1dB			
SAT IF / SAT IF Isolation	>30dB			
SAT IF Input – Output	>30dB			
SAT IF / Terr	>25dB			
DC Consumption from DC Input or H Lines	18V 290mA	18V 530mA	18V 850mA	18V 1.1A
DC Consumption Terr TV amplifier via H lines	15 – 18V 40mA		15 – 18V 70mA	
DC Consumption from STB in legacy mode	13V 220mA : 18V 190mA			
DC Consumption from STB in dSCR mode	14V 320mA			
DC Consumption legacy + dSCR mode	18V 260mA			
Max DC Pass into the trunk	18V 2.0A			
Operating Temperature	-20°C to +50°C			
Dimension inc connectors (mm) / Weight	155 x 134 x 30mm	475g	226 x 133 x 30mm 830g	

Always check power consumption from any existing system or power supply before connecting

**OPTION 1 SUBSCRIBER POWERED EV5-D2 S / D4 S / D6 S / D8 S dSCR MULTISWITCH
DC PASS ON SYSTEM TRUNK**



**OPTION 2 LOCALLY POWERED EV5-D2 S / D4 S / D6 S / D8 S dSCR MULTISWITCH
DC Switch OFF
DC PASS ON SYSTEM TRUNK**



In the interests of continued product improvement and development we reserve the right to change specifications, design and dimensions without prior notice. Details correct at date of publication 5th September 2017 E&OE © 2017 Vision Products (Europe) Ltd

OPTION 3 LOCALLY POWERED EV5-D2 S / D4 S / D6 S / D8 S dSCR MULTISWITCH

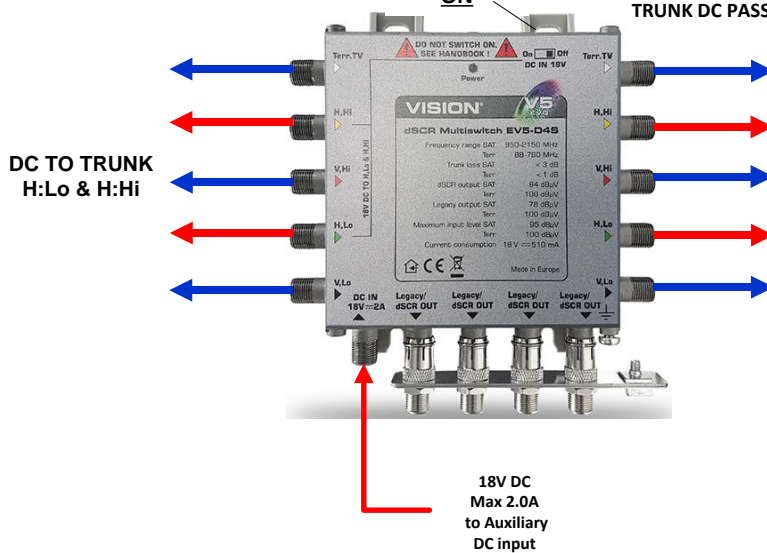
DC SWITCH "ON"

DC TO SYSTEM TRUNK H:Lo & H:Hi MAX2.0A

DC SWITCH

ON

TRUNK DC PASS



DC TO TRUNK
H:Lo & H:Hi

DC TO TRUNK
H:Lo & H:Hi

DC POWER TO dSCR via DC INPUT
DC PASS TO H:Lo & H:Hi LINES

ALL dSCR outputs powered

Power Consumption of dSCR Switch

EV5-D2	300mA
EV5-D4	500mA
EV5-D8	1.4A

CHECK SYSTEM POWER CONSUMPTION
DOES NOT EXCEED 2.0A

18V DC
Max 2.0A
to Auxiliary
DC input

OPTION 4 SYSTEM POWERED EV5-D2 S / D4 S / D6 S / D8 dSCR MULTISWITCH

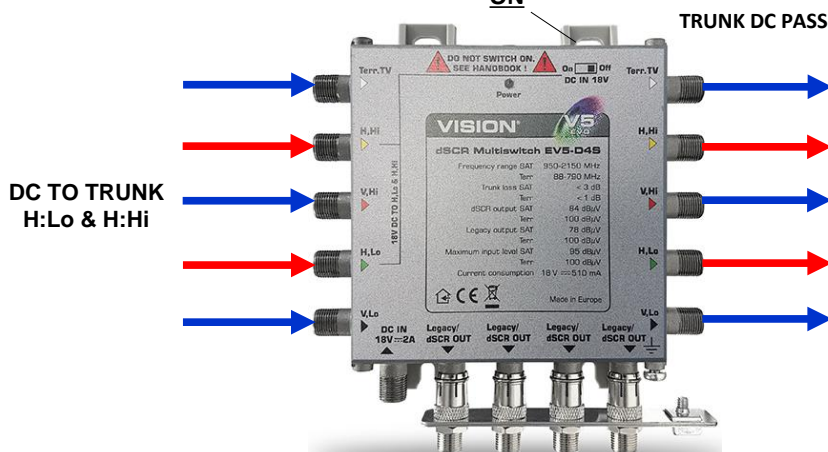
DC SWITCH "ON"

DC FROM SYSTEM TRUNK POWERS dSCR MULTISWITCH / Cascade

DC SWITCH

ON

TRUNK DC PASS



DC TO TRUNK
H:Lo & H:Hi

DC TO TRUNK
H:Lo & H:Hi
DC PASS MAX 2.0A

DC POWER TO dSCR via
H:Lo & H:Hi TRUNK LINES

ALL dSCR outputs powered

Power Consumption of dSCR Switch

EV5-D2	290mA
EV5-D4	530mA
EV5-D6	850mA
EV5-D8	1.1A

CHECK SYSTEM POWER CONSUMPTION
DOES NOT OVERLOAD SYSTEM POWER SUPPLY

NOTE: It is essential for safety that ALL dSCR multiswitch outputs are earthed to the building MET in accordance with regulations and codes of practice.

In the interests of continued product improvement and development we reserve the right to change specifications, design and dimensions without prior notice.
Details correct at date of publication 5th September 2017 E&OE © 2017 Vision Products (Europe) Ltd