

Diagram References

1 Appearance

- ① Camera ② Indicators ③ Physical Button ④ Microphone ⑤ Card Reading Area
- ⑥ 12 Touch Buttons ⑦ TAMPER ⑧ Speaker ⑨ Terminals ⑩ TF Card Slot
- ⑪ Debugging Port ⑫ Network Interface ⑬ Lock 1 ⑭ Lock 2

Indicator Description

- 📞 Call: Orange
- 🗨️ Communicate: White
- 🔓 Unlock: Green

Note: KV6114 and KV6124 have exactly the same port markings and size on the back panel.
Lock 2 is disabled by default, you need to enable it via web.

2 Terminal and Wiring

- NC1 : Door Lock 1 Relay Output (NC1) 485-: RS-485 Interface
- NO1 : Door Lock 1 Relay Output (NO1) 485+: RS-485 Interface
- NC2 : Door Lock 2 Relay Output (NC2) 12 VDC IN: Power Supply Input
- NO2 : Door Lock 2 Relay Output (NO2) GND: Grounding
- COM1&COM2: Common Interface AIN1-AIN4: Analog Input (For Alarm in)

Note: Please refer to the picture aside for details.

3 Installation Accessory

- ① Mounting Plate ② Rain Shield (Optional) ③ Mounting Bracket (Optional)

Note: The dimension of the mounting plate is 124.5 mm × 68 mm × 7.3 mm.
The dimension of the rain shield is 194.49 mm × 84.62 mm × 47 mm.
The dimension of the mounting bracket is 119.58 mm × 46.68 mm × 28.39 mm.

4 Installation

Note: The installation methods for KV6114 and KV6124 are the same. Here takes KV6114 as an example.

Before You Start

- Make sure all related equipments are power-off during the installation.
- Tools that you need to prepare for installation: Drill and gradienter.

★ Surface Mounting without Rain Shield

1. Fix the mounting plate to the wall using 4PCS SC-KA4X25 screws.
2. Connect all cables and secure the rear interface cover, then mount the device onto the plate from top to bottom.
3. Fix the device on the mounting plate with 1PCS SC-M3X18-T10-SUS-NL screw.

Note: Apply silicone sealant among the cable wiring area to keep the raindrop from entering. Please refer to figure A.

★ Surface Mounting with Rain Shield (Optional)

1. Fix the mounting plate and rain shield to the wall using 4PCS SC-KA4X25 screws.
2. Connect all cables and secure the rear interface cover, then mount the device onto the plate from top to bottom.
3. Fix the device on the mounting plate with 1PCS SC-M3X18-T10-SUS-NL screw.

Note:
• Apply silicone sealant among the cable wiring area to keep the raindrop from entering. Please refer to figure B.
• The package does not include a rain shield, which needs to be purchased separately.

★ Surface Mounting with Rain Shield and Mounting Bracket (Optional)

1. Fix the mounting bracket to the wall using 2PCS SC-KA4X25 screws.
2. Fix the mounting plate and rain shield to the wall using 4PCS SC-KM4X8-SUS-GB819 screws.
3. Connect all cables and secure the rear interface cover, then mount the device onto the plate from top to bottom.
4. Fix the device on the mounting plate with 1PCS SC-M3X18-T10-SUS-NL screw.

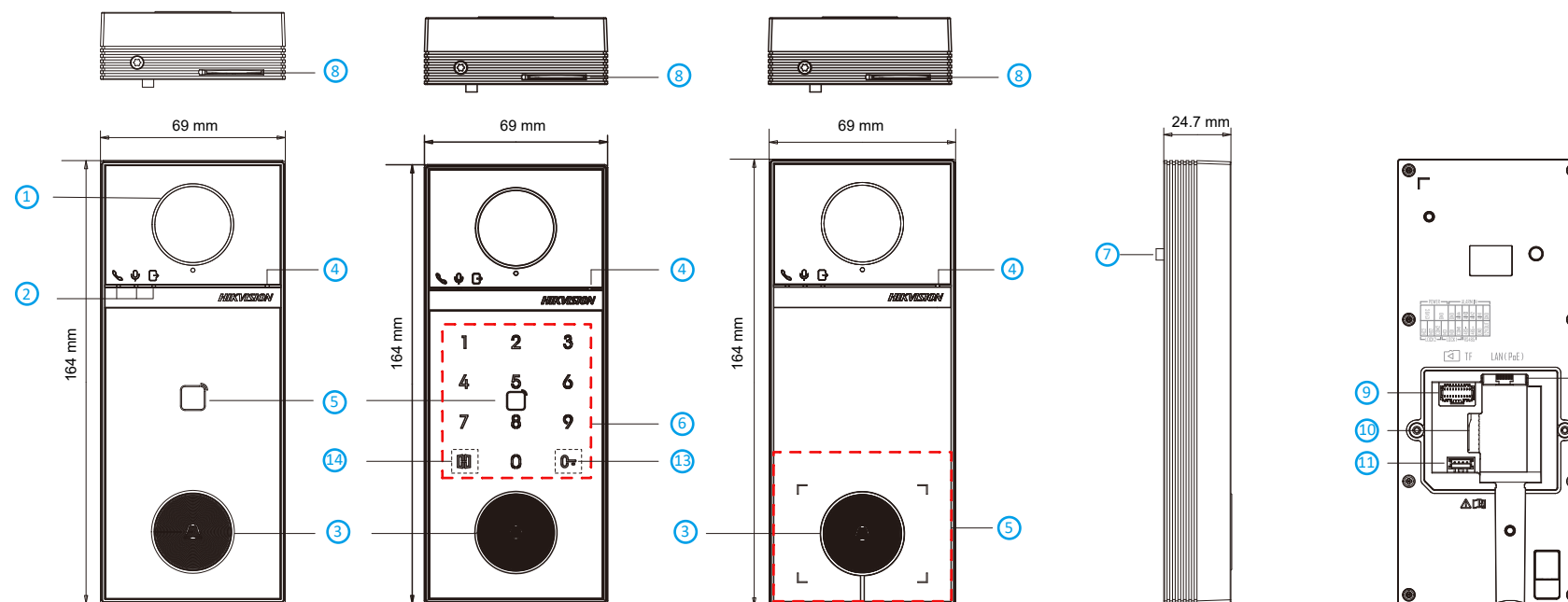
Note:
• Apply silicone sealant among the cable wiring area to keep the raindrop from entering. Please refer to figure C.
The package does not include rain shield and mounting bracket. You need to purchase them separately.
• When installing a mounting bracket, the distance between the short side of the bracket and the wall should be greater than 20mm.
• If you want to install a mounting bracket without a rain shield, the general installation procedure are similar as above. You just need to omit the rain cover installation part. What's more, the screws used in step 2 will be changed to 4PCS SC-KM4X5-SUS-GB819 screws.

★ Mounting with 120mm Gang Box (Optional)

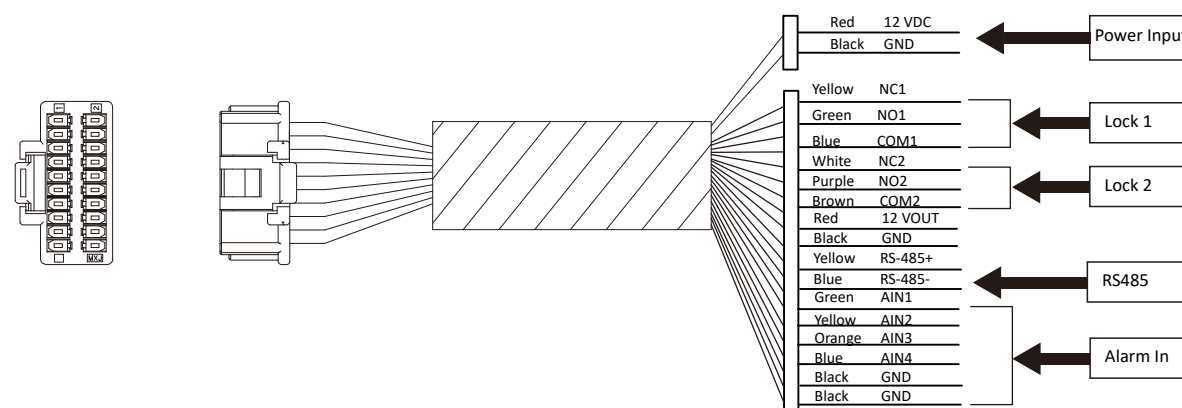
1. Align the mounting holes of the plate with the holes of the gang box, then secure the mounting plate to the wall using 2PCS SC-KA4X25 screws.
2. Connect all cables and secure the rear interface cover, then mount the device onto the plate from top to bottom.
3. Fix the device on the mounting plate with 1PCS SC-M3X18-T10-SUS-NL screw.

Note:
• Apply silicone sealant among the cable wiring area to keep the raindrop from entering. Please refer to figure D.
• The gang box is not included in the package.

1



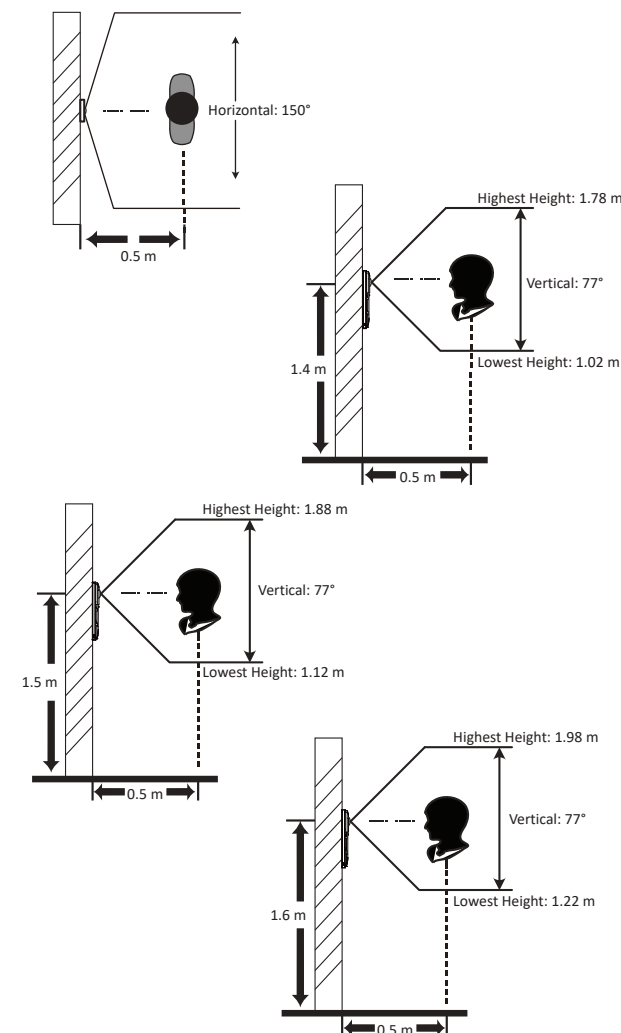
2



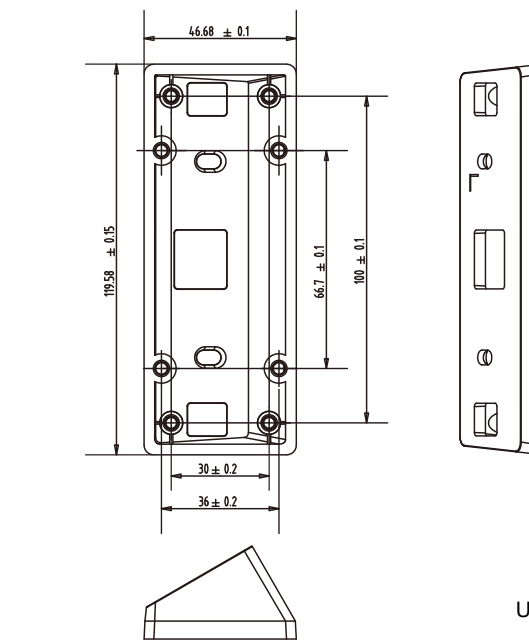
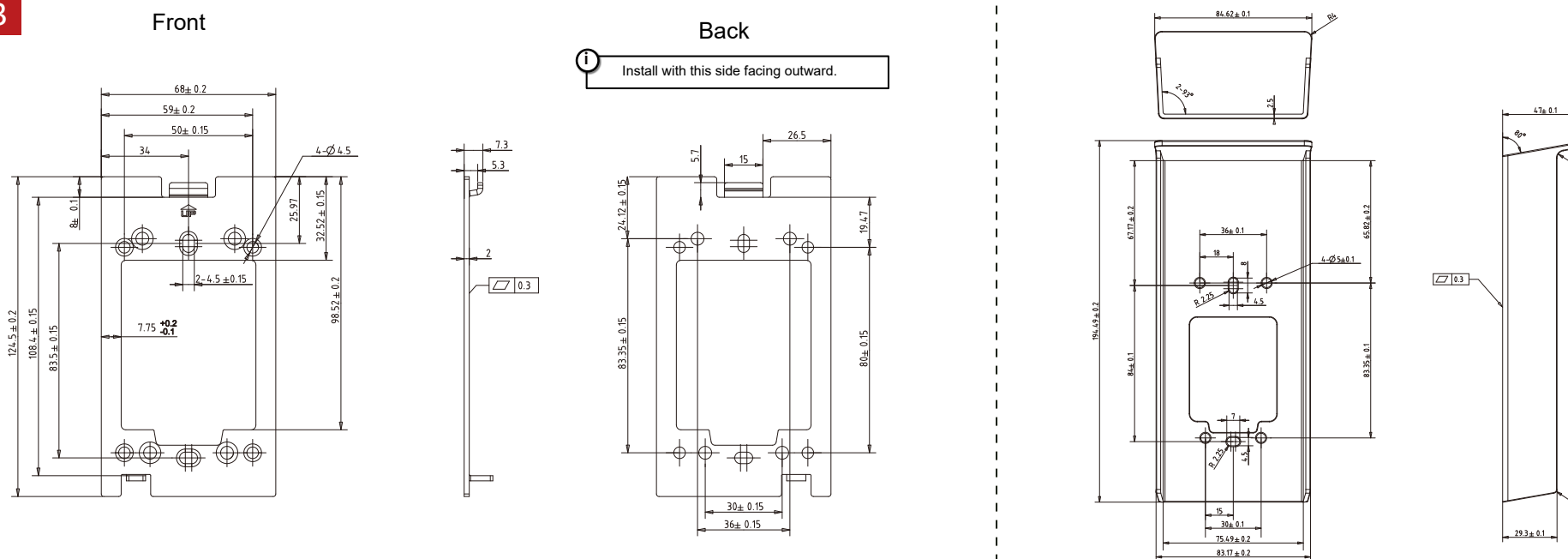
Please scan the QR code above to get User Manual.

4

Recommended Installation Height (The distance between the camera and the ground): 1.4 m to 1.6 m.



3



Unit: mm

5 Configuration via Web

1 Activate Device via Web

You are required to activate the device first by settings a strong password before you can use the device.

Default parameters of door station are as follows:

- Default IP Address: 192.0.0.65.
- Default Port No.:8000.
- Default User Name: admin

1. Power on the device, and connect the device to the network.
2. Enter the IP address into the address bar of the web browser, and click Enter to enter the activation page.
3. Create and enter a password into the password field.
4. Confirm the password.
5. Click OK to activate the device.

Note: When the device is not activated, the basic operation and remote configuration of device cannot be performed.

2 Access to the Device by Web Browsers

1. In the browser address bar, enter the IP address of the device, and press the Enter key to enter the login page.
2. Enter the user name and password and click Login.

3 Communicate with Indoor Station

1. Click Video Intercom -> Press Button to Call to enter the settings page.
2. Set the parameters.
 - Edit Button Settings for every button.
 - Choose Link Call Schedule for each module.
3. Press button to call indoor station.

4 Issue Card

1. Click Person -> +Add to enter the settings page.
2. Click + Add Card. Present the card on the card reader.
3. When issuing finished, the windows pop up on the settings page.

Note:

- Only M1 card supported, and M1 card with non-standard shape is recommended.
- Up to 10000 cards can be issued and managed by these door stations. A voice prompt (No more cards can be issued.) can be heard when the issued card amount exceeds the upper limit.

5 Unlock Door

After issuing cards, you can unlock the door by presenting the issued cards.

Refers to Video Intercom Villa Door Station User Manual (scan the QR code) for details.

About this Document

- This Document includes instructions for using and managing the Product. Pictures, charts, images and all other information hereinafter are for description and explanation only.
- The information contained in the Document is subject to change, without notice, due to firmware updates or other reasons. Please find the latest version of the Document at the Hikvision website (<https://www.hikvision.com>). Unless otherwise agreed, Hangzhou Hikvision Digital Technology Co., Ltd. or its affiliates (hereinafter referred to as "Hikvision") makes no warranties, express or implied.
- Please use the Document with the guidance and assistance of professionals trained in supporting the Product.

About this Product

This product can only enjoy the after-sales service support in the country or region where the purchase is made.

Acknowledgment of Intellectual Property Rights

- Hikvision owns the copyrights and/or patents related to the technology embodied in the Products described in this Document, which may include licenses obtained from third parties.
- Any part of the Document, including text, pictures, graphics, etc., belongs to Hikvision. No part of this Document may be excerpted, copied, translated, or modified in whole or in part by any means without written permission.
- **HIKVISION** and other Hikvision's trademarks and logos are the properties of Hikvision in various jurisdictions.
- Other trademarks and logos mentioned are the properties of their respective owners.

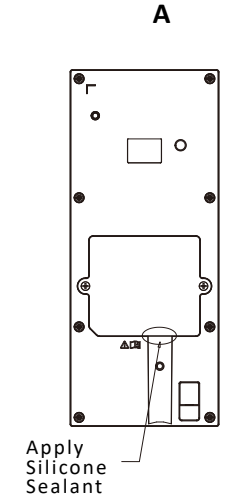
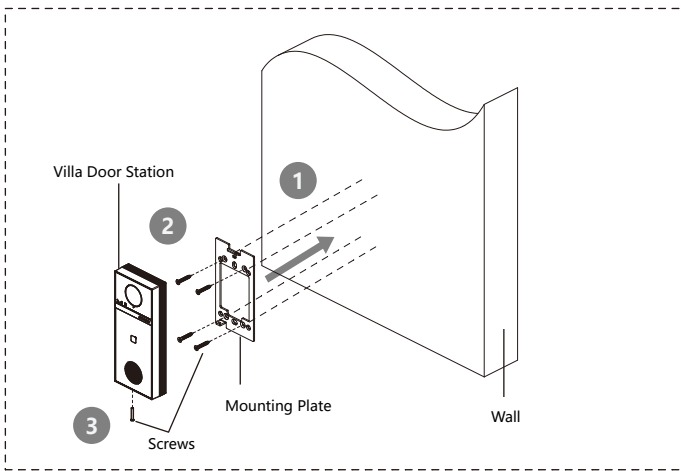
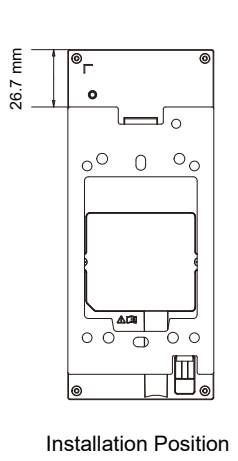
LEGAL DISCLAIMER

- TO THE MAXIMUM EXTENT PERMITTED BY APPLICABLE LAW, THIS DOCUMENT AND THE PRODUCT DESCRIBED, WITH ITS HARDWARE, SOFTWARE AND FIRMWARE, ARE PROVIDED "AS IS" AND "WITH ALL FAULTS AND ERRORS". HIKVISION MAKES NO WARRANTIES, EXPRESS OR IMPLIED, INCLUDING WITHOUT LIMITATION, MERCHANTABILITY, SATISFACTORY QUALITY, OR FITNESS FOR A PARTICULAR PURPOSE. THE USE OF THE PRODUCT BY YOU IS AT YOUR OWN RISK. IN NO EVENT WILL HIKVISION BE LIABLE TO YOU FOR ANY SPECIAL, CONSEQUENTIAL, INCIDENTAL, OR INDIRECT DAMAGES, INCLUDING, AMONG OTHERS, DAMAGES FOR LOSS OF BUSINESS PROFITS, BUSINESS INTERRUPTION, OR LOSS OF DATA, CORRUPTION OF SYSTEMS, OR LOSS OF DOCUMENTATION, WHETHER BASED ON BREACH OF CONTRACT, TORT (INCLUDING NEGLIGENCE), PRODUCT LIABILITY, OR OTHERWISE, IN CONNECTION WITH THE USE OF THE PRODUCT, EVEN IF HIKVISION HAS BEEN ADVISED OF THE POSSIBILITY OF SUCH DAMAGES OR LOSS.
- YOU ACKNOWLEDGE THAT THE NATURE OF THE INTERNET PROVIDES FOR INHERENT SECURITY RISKS, AND HIKVISION SHALL NOT TAKE ANY RESPONSIBILITIES FOR ABNORMAL OPERATION, PRIVACY LEAKAGE OR OTHER DAMAGES RESULTING FROM CYBER-ATTACK, HACKER ATTACK, VIRUS INFECTION, OR OTHER INTERNET SECURITY RISKS; HOWEVER, HIKVISION WILL PROVIDE TIMELY TECHNICAL SUPPORT IF REQUIRED.
- YOU AGREE TO USE THIS PRODUCT IN COMPLIANCE WITH ALL APPLICABLE LAWS, AND YOU ARE SOLELY RESPONSIBLE FOR ENSURING THAT YOUR USE CONFORMS TO THE APPLICABLE LAW. ESPECIALLY YOU ARE RESPONSIBLE, FOR USING THIS PRODUCT IN A MANNER THAT DOES NOT INFRINGE ON THE RIGHTS OF THIRD PARTIES, INCLUDING WITHOUT LIMITATION, RIGHTS OF PUBLICITY, INTELLECTUAL PROPERTY RIGHTS, OR DATA PROTECTION AND OTHER PRIVACY RIGHTS. YOU SHALL NOT USE THIS PRODUCT FOR ANY PROHIBITED END-USES, INCLUDING THE DEVELOPMENT OR PRODUCTION OF WEAPONS OF MASS DESTRUCTION, THE DEVELOPMENT OR PRODUCTION OF CHEMICAL OR BIOLOGICAL WEAPONS, ANY ACTIVITIES IN THE CONTEXT RELATED TO ANY NUCLEAR EXPLOSIVE OR UNSAFE NUCLEAR FUEL-CYCLE, OR IN SUPPORT OF HUMAN RIGHTS ABUSES.
- IN THE EVENT OF ANY CONFLICTS BETWEEN THIS DOCUMENT AND THE APPLICABLE LAW, THE LATTER PREVAILS.

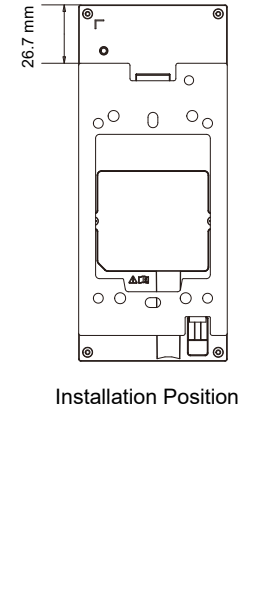
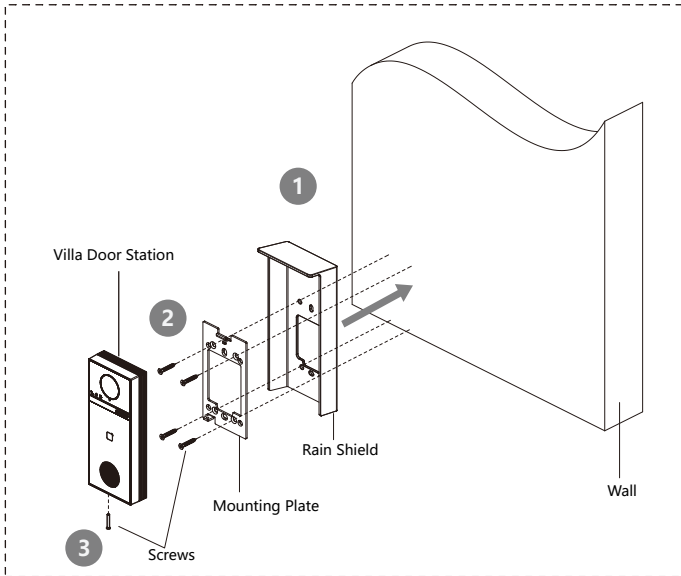
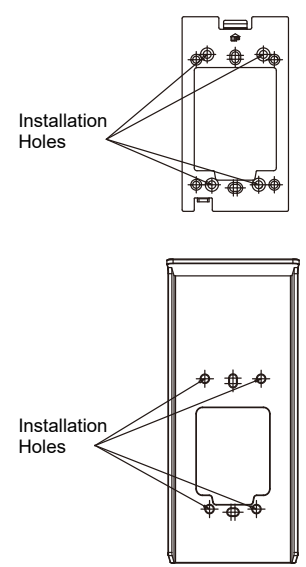
© Hangzhou Hikvision Digital Technology Co., Ltd. All rights reserved.

4

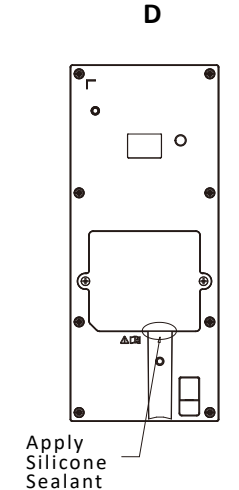
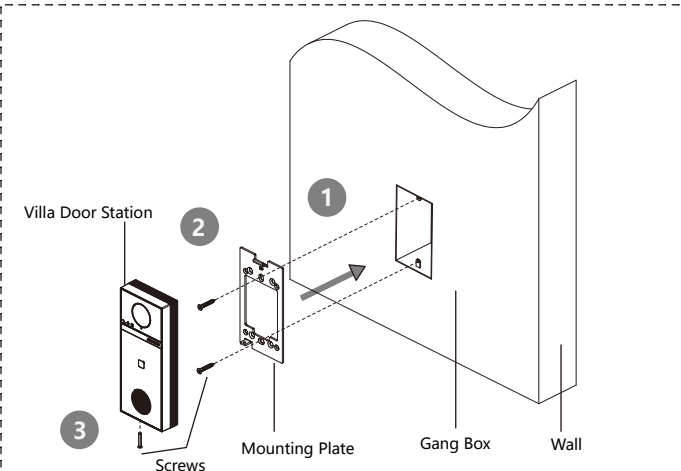
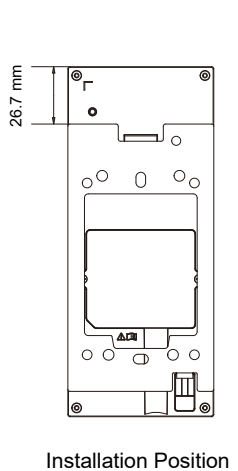
★ Surface Mounting without Rain Shield



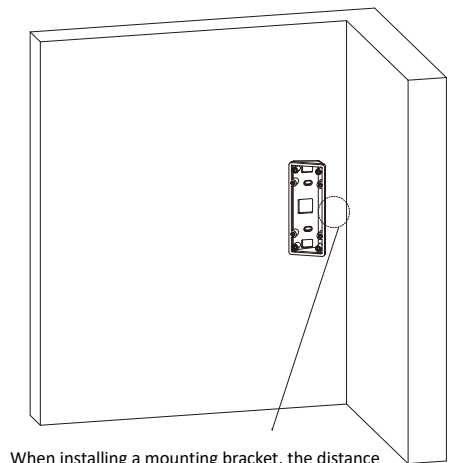
★ Surface Mounting with Rain Shield (Optional)



★ Mounting with 120mm Gang Box (Optional)



★ Surface Mounting with Rain Shield and Mounting Bracket (Optional)



When installing a mounting bracket, the distance between the short side of the bracket and the wall should be greater than 20mm.

