

HDL-MPL35C/TILE.48

Tile Display

Product Name	Panel & Frame	Model No.
Tile Display (With plastic or metal frame)	Tile Display	HDL-MPL35C/TILE.48
	Frame	HDL-MP1-EC/TILE.48

buspro

Datasheet

Issued: April 30, 2021

File Edition: B



Figure 1. Tile Display

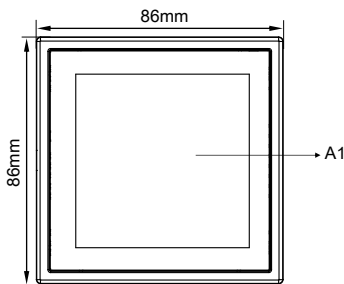


Figure 2. Dimensions - with plastic frame

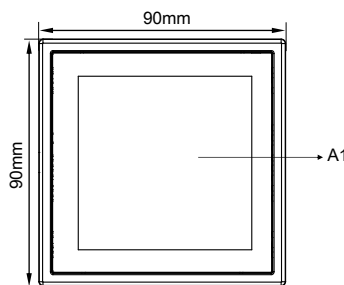


Figure 3. Dimensions - with metal frame

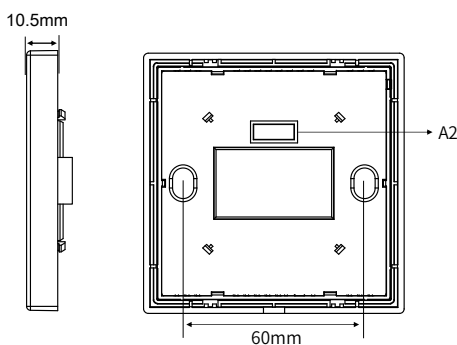


Figure 4. Dimensions - Side View Figure 5. Dimensions - Back View

Overview

Tile Display (See Figure 1) is a multi-function control panel for home automation. With 3.5-inch LCD screen and full-screen touch control, it is convenient for the users to control lighting, curtain, scene, air conditioning, floor heating, music and fresh air in an intuitive way.

Its functions include:

- Built-in temperature and humidity sensor, proximity sensor
- Adjustable LCD backlight brightness
- LCD screen wakes up automatically.
- Supports screen lock
- Supports sleep mode, the panel can be set to enter sleep mode if there is no operation for a certain period of time.
- 5 shortcut scene buttons and 1 main menu button available in main interface, both of which support local operation and configuration via HDL Buspro Setup Tool.)
- Time and environment status display and setting
- Dedicated pages for lighting, curtain, scene, air conditioning, floor heating, music and fresh air
- Up to 64 control buttons can be set in lighting page, with the control types of relays, dimmers, and RGB lamp bands and CCT.
- Up to 8 curtain motors supported for curtain control (including motorized curtain, roller blind motor), with the control types of open/close, stop, percentage adjustment
- Scene control: Up to 32 scenes supported
- Air conditioning control: Up to 8 air conditioners supported, with the control types of on/off, temperature adjustment, fan speed adjustment, mode switching
- Floor heating control: Up to 8 floor heating modules supported, with floor heating modes of Normal, Day, Night, Away, Auto and control types of on/off, temperature adjustment, floor cooling and floor heating switch, mode switching
- Music play: Up to 8 music players supported
- Fresh air control: Up to 8 fresh air devices supported with the control types of on/off, fan speed, mode, etc.
- Buspro voltage detection supported
- Online update supported via HDL Buspro Setup Tool

Components and Operation

Dimensions - See Figure 2 - 5

A1. LCD screen: 3.5-inch touch screen

A2. HDL Buspro interface

Proximity sensing: Also known as wake-up function, when the panel detects human body, the LCD screen will wake up automatically.

Note(s)

- The panel should be mounted on the wall box with power interface.
- Buspro connection - Series connection. (hand-in-hand recommended)
- The panel should be connected to the adapter board for UI updating.

Safety Precautions

- The installation and testing for the product must be carried out by HDL Automation Co., Ltd. or its appointed service agencies. The electric construction shall comply with local laws and safety regulations.
- HDL will not be responsible for any consequence caused by the inexpert or faulty installation and wiring methods, which are not in accordance with the instructions contained in this operating instruction.
- Please do not privately disassemble or replace any parts of the product. Otherwise, it may cause mechanical fault, electric shock, fire or personal injuries.
- Please contact our after-sales departments or our designated service agencies for your maintenance service. Product failures caused by private disassembly are not subject to this warranty.

Package Contents

HDL-MPL35C/TILE.48*1 / Datasheet*1

Technical Data

Basic Parameters

Working voltage	12~30V DC
Working current	100mA/24V DC
Communication	HDL Buspro
Cable diameter of Buspro terminal	0.6-0.8mm

External Environment

Working temperature	-5°C~45°C
Working relative humidity	≤90%
Storage temperature	-20°C~60°C
Storage relative humidity	≤93%

Specifications

LCD screen resolution	480x480
Dimensions	Panel with plastic frame: 86×86×10.5(mm) Panel with metal frame: 90×90×10.5(mm)
Net weight	Panel with plastic frame: 73g Panel with metal frame: 112g
Housing material	Panel with plastic frame: glass, PC Panel with metal frame: glass, aluminum alloy
Installation	Wall box (See Figure 6)
Protection rating (Compliant with EN 60529)	IP20

Approved

CE

RoHS

HDL Buspro Cable Guide

HDL Buspro	HDL Buspro Cable	CAT5/CAT5E
DATA+	Yellow	Blue/Green
DATA-	White	Blue white/Green white
COM	Black	Brown white/Orange white
24V DC	Red	Brown/Orange

Installation

Installation - See Figure 6

- Step 1. Install the wall box in the wall.
- Step 2. Secure the power interface into the wall box with screws.
- Step 3. Install the panel cover on the power interface.
- Step 4. Mount the frame around the panel.

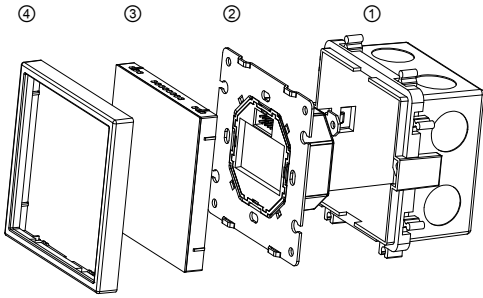


Figure 6. Installation

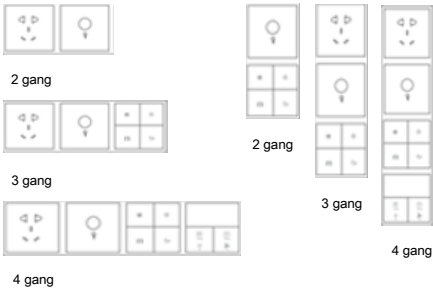


Figure 7. Horizontal installation

Figure 8. Vertical installation

Notes: Metal panels can be installed either horizontally or vertically. Plastic panels can be only installed horizontally.

Product name	Frame Types	Gang	Dimensions
2/3/4-gang frames	Metal	2 gang	176*90*10.5(mm)
		3 gang	262*90*10.5(mm)
		4 gang	348*90*10.5(mm)
	Plastic	2 gang	172*86*10.5(mm)
		3 gang	258*86*10.5(mm)
		4 gang	344*86*10.5(mm)

©Copyright by HDL Automation Co., Ltd. All rights reserved.
Specifications subject to change without notice.