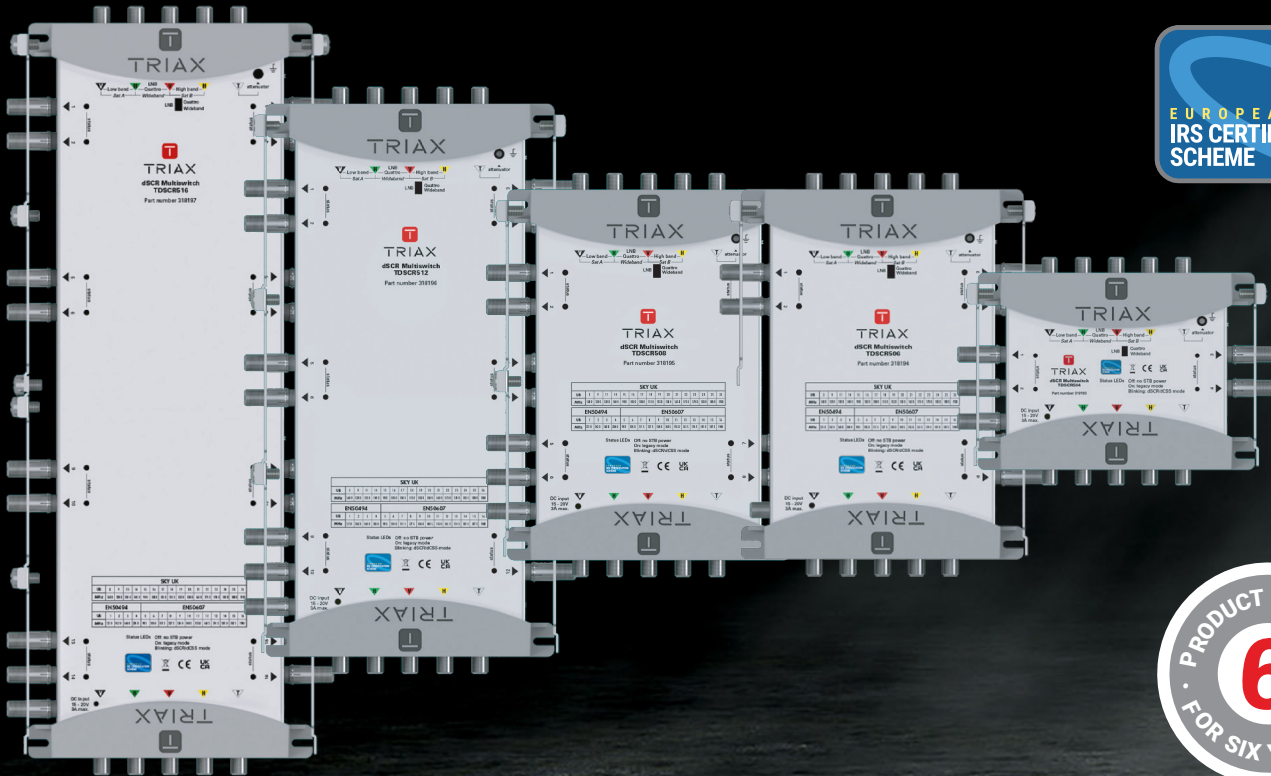




# TRIAX

connecting the future



## TRIAX dSCR multiswitches

Reduce installation costs with ultra low power consumption

### TdSCR 504/506/508/512/516 multiswitches

#### The only switch you need

Independent outputs for legacy or dSCR mode; can be used as cascade or standalone.

#### Ultimate flexibility

With your choice of 4, 6, 8, 12 or 16 outputs, TRIAX multiswitches are compatible with Quattro and Wideband LNBs, and support 1 or 2 satellite positions.

#### European IRS Certification Scheme

Certified to the EICS scheme demonstrating the high quality of the solution and compatibility with all major satellite and TV platforms.

#### Trust TRIAX

We ensure you live up to your own customer promises.

#### Reduce costs

Low power consumption means you can build large, cascadable systems with a single PSU connected at any point in the system.

#### Easy planning and installation

Simple integration with existing TRIAX solutions; 5x Quick F connectors included.

#### Safety first

Earth Bars included for all subscriber outputs.

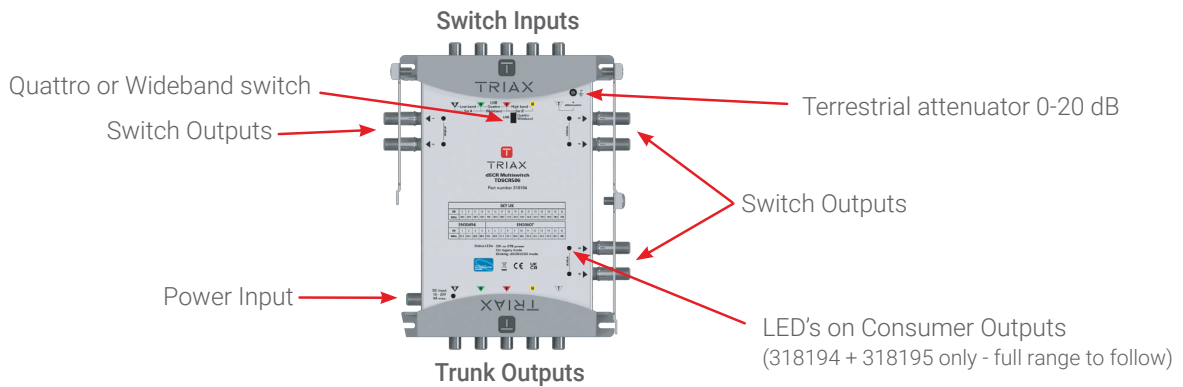
[triaux.com](http://triaux.com)



# TRIAX

connecting the future

- 4, 6, 8, 12 or 16 SCR/Legacy outputs
- Switchable Quattro / Wideband satellite inputs for 1 or 2 satellite positions
- Terrestrial Level Control for signals 0–20dB
- DC input (for switch, line and LNB powering)
- LED's on Consumer Outputs (318194 + 318195 only - full range to follow)
- Can be used as a Cascade or Standalone Multiswitch
- LTE Filter built in
- Balanced dSCR and Legacy output signal levels (AGC) for easy system planning and installation
- Each subscriber output provides dSCR, Legacy, TV and Radio
- Trunk outputs allow the cascade of multiple switches to support large installations
- The unit can be powered directly via the DC input port, or remotely via the trunk lines
- Use power supplies 318165 (1.2A), 318166 (2A) or 318167 (3A) depending on system size



Type		TdSCR504	TdSCR506	TdSCR508	TdSCR512	TdSCR516
Art. No.		318185	318194	318195	318187	318188
Inputs		4 x SAT (1 x Quattro or 2 x Wideband) + 1 x Terr.				
No. Consumer Outputs		4	6	8	12	16
Impedance inputs/outputs	Ohm	75				
FREQUENCY RANGE - SAT (Switchable)						
- dSCR, Legacy	MHz	950 - 2150				
- Wideband	MHz	290 - 2340				
Frequency range Terr.	MHz	40 - 790, active	40 - 694, active		40 - 790, active	
Input power range/dSCR/Legacy	dBuV	70 - 100 (-38 to -8dBm)				
Output power range/dSCR/Legacy *(AGC)	dBuV	83 (-26dBm)*	86 (-23dBm)*		83 (-26dBm)* *(+/-1 dB with 2 carriers)	
<b>OPERATIONAL</b>						
Insertion loss Terr.	dB	2 +/-2dB	4 +/-2dB		4 +/-4dB	1 +/-5dB
Attenuation Terr.	dB	0 to 20				
Max output power Terr.	dBuV	90				
Through loss SAT	dB	-2.5 +/-2dB	-4 +/-2dB	-4 +/-2dB	-5.5 +/-2dB	-9 +/-5dB
Through loss Terr.	dB	-3 +/-2dB	-3 +/-2dB	-3 +/-2dB	-4 +/-2dB	-7 +/-2dB
Isolation H/V	dB	25				
Return loss Inputs/Outputs	dB	10				
User band frequencies		SKY UK, EN50607, EN50494 (automatic selection)				
LNB Supply voltage	V	15 -20				
Max LNB supply current	mA	1000				
Current consumption @18V	mA	40	60	70	100	160
External/Trunk PSU	V	Yes (15 - 20)				
Powering Via Sat Trunk cables		Yes				
LED Status indicator		Green LED: Steady - Legacy / Flashing - dSCR ( 318194 + 318195 )				
<b>MECHANICAL</b>						
Dimensions (W x L x H)	mm	191 x 136 x 52	191 x 236 x 52	191 x 236 x 52	191 x 335 x 52	191 x 446 x 52
Weight	g	520	900	980	1440	1980
Operational temperature range	°C	-20 to +50				
DC Connector type		F Connector				