

R6400 / R6600 - Wall Mounts Racks

With their solid high end construction, the R6400 and R6600 Series are a high quality solution for all of your AV and IT requirements at an affordable cost.

Ideal for smaller installations or for house systems, these rack enclosures ally convenience and aesthetic with its multiple features and stylish finish.



Many Standard and Custom Colors



Vented Design

Designed with vents and hole patterns on the top to mount thermal management systems, as well as vents on top and base sides. It also comes with an optional vented front door.



Integrated Cable Management System

The R6400 & R6600 series comes standard with an integrated cable management bar to help you keep your installation nice and tidy.



Threaded Rack Rails

No more clip nuts. All our racks come with threaded rack rails marked units in order to ease the installation of any of equipment. Available with M6 or 10/32 threads.



Adjustable Mounting Depth

The adjustable front and rear rack strips allow to change the mounting depth of the enclosure in order to adapt to any type of material.



Removable Side Panels

The R6400 & R6600 series comes with removable side panels with an easy slam lock opening and closing system.



Lockable Door and Side Panels

The front door comes with a key lock system to avail any unwanted tempering. Optional side panels key locks also available.



1U Knockout Panels

Several 1U knockout panels on the top, base and bottom of the rack for cable managements or to set up fitted or patch panels.



Optional Castors and Adjustable Feet

An optional base with M8 threaded holes is available on the 12U and 18U versions in order to easily mount castors or adjustable feet on the R6400 & R6600 series enclosures.

Available Unit Sizes:	6U, 9U, 12U or 18U
Available Depths:	400mm / 18" or 600mm / 24"
Width:	600mm / 24"

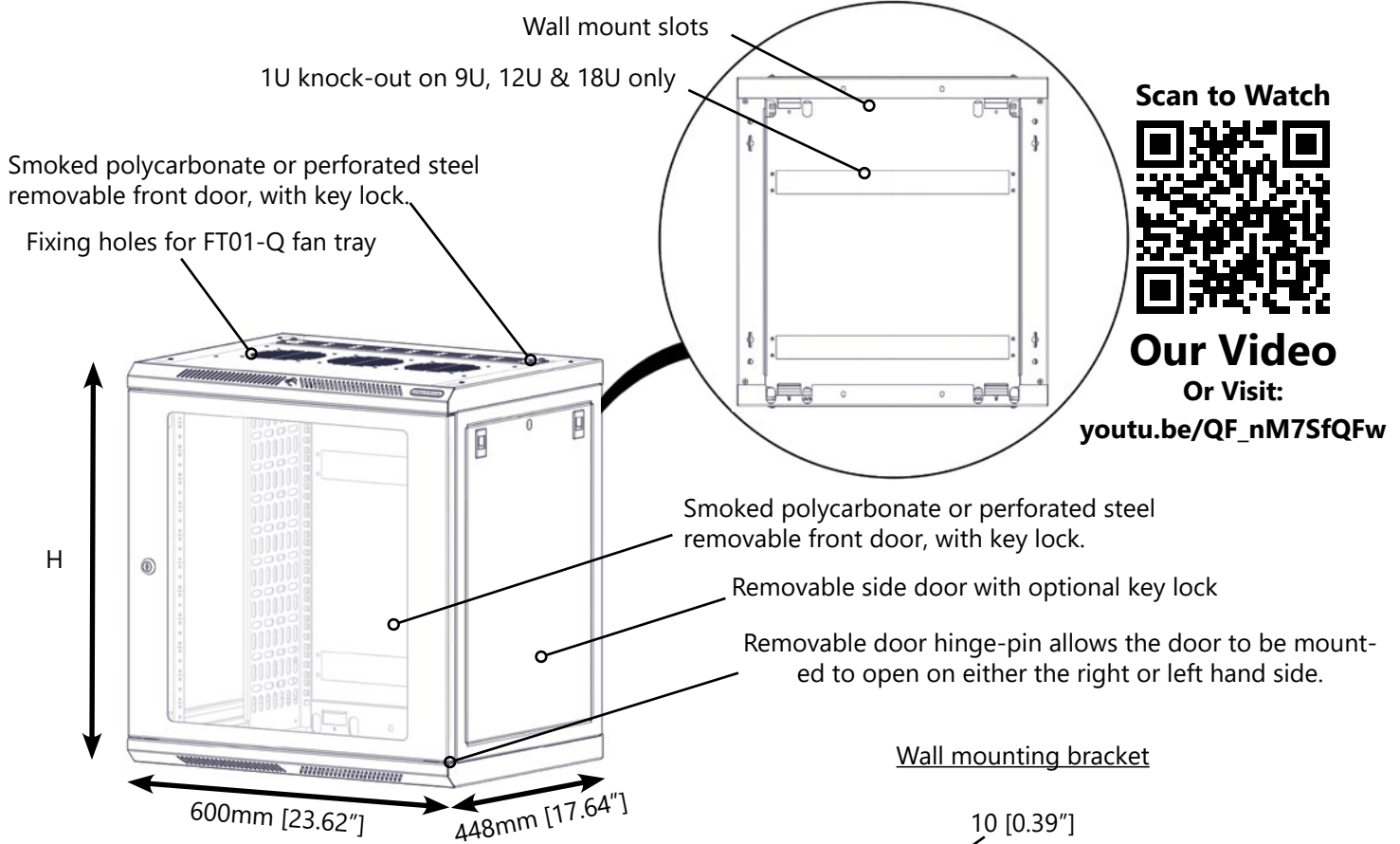
Available Front Doors:	Smoked polycarbonate or Vented steel
Load Capacity:	60kg / 132lb
Mounting Bracket:	Included

V4 - August 31, 2022

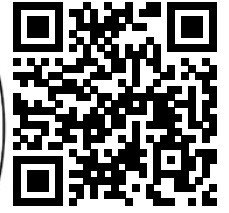
R6400 Series: 400mm / 18" Deep Wall Mounts Enclosures

	Part No.	Rail Thread	Finish	Weight	Door Type	Rack Units	Height		
	R6406-M6	M6	Black	21kg 46lb	Polycarbonate	6U	367mm 14.5"		
	R6406-1032	10/32							
	R6406-W-M6	M6	White						
	R6406-W-1032	10/32							
	R6406V-M6	M6	Black	21kg 46lb	Vented steel				
	R6406V-1032	10/32							
	R6406V-W-M6	M6	White						
	R6406V-W-1032	10/32							
	R6409-M6	M6	Black			25kg 55lb	Polycarbonate	9U	500mm 20"
	R6409-1032	10/32							
	R6409-W-M6	M6	White						
	R6409-W-1032	10/32							
	R6409V-M6	M6	Black	25kg 55lb	Vented steel				
	R6409V-1032	10/32							
	R6409V-W-M6	M6	White						
	R6409V-W-1032	10/32							
	R6412-M6	M6	Black			28kg 62lb	Polycarbonate	12U	633mm 25"
	R6412-1032	10/32							
	R6412-W-M6	M6	White						
	R6412-W-1032	10/32							
	R6412V-M6	M6	Black	27.5kg 61lb	Vented steel				
	R6412V-1032	10/32							
	R6412V-W-M6	M6	White						
	R6412V-W-1032	10/32							
	R6418-M6	M6	Black			34kg 75lb	Polycarbonate	18U	900mm 35.5"
	R6418-1032	10/32							
	R6418-W-M6	M6	White						
	R6418-W-1032	10/32							
	R6418V-M6	M6	Black	33kg 73lb	Vented steel				
	R6418V-1032	10/32							
	R6418V-W-M6	M6	White						
	R6418V-W-1032	10/32							

R6400 Series: 400mm / 18" Deep Wall Mounts Enclosures



Scan to Watch

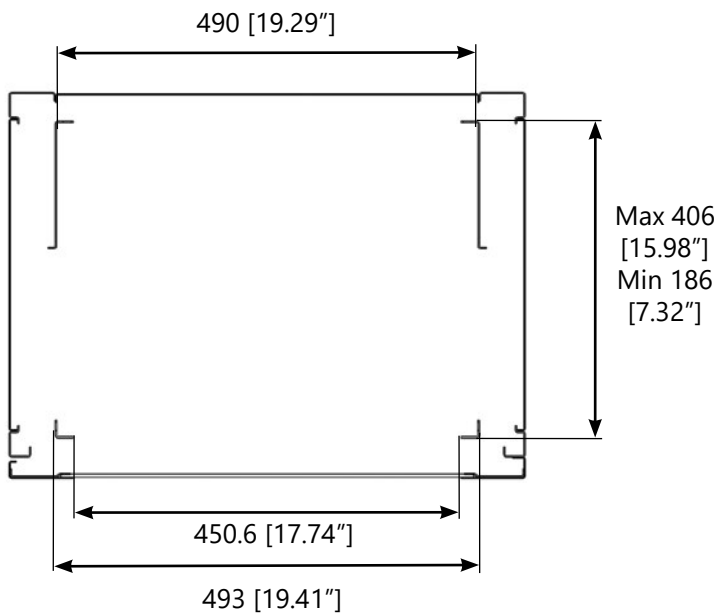
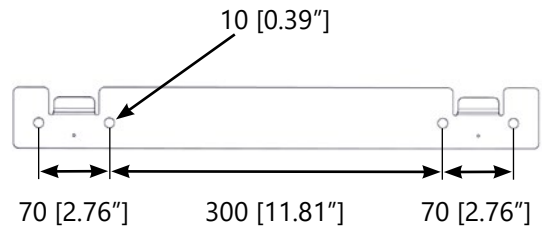


Our Video

Or Visit:

youtu.be/QF_nM7SfQFw

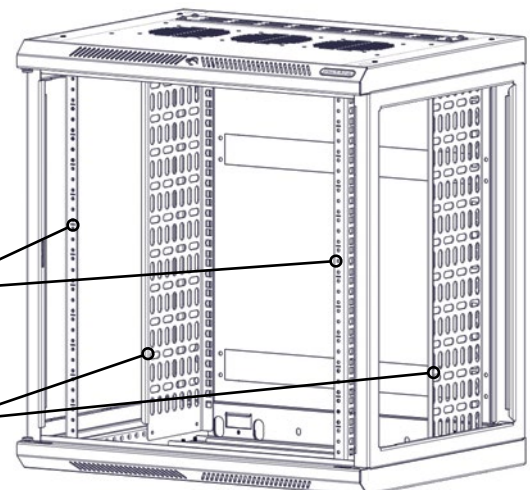
Wall mounting bracket



Part No.	H
R6406	366.7 [14.44"]
R6409	500 [19.68"]
R6412	633.4 [24.94"]
R6418	900 [35.43"]

(Reversible, square or tapped hole) rack strips M6 Europe or 10-32 USA tapped

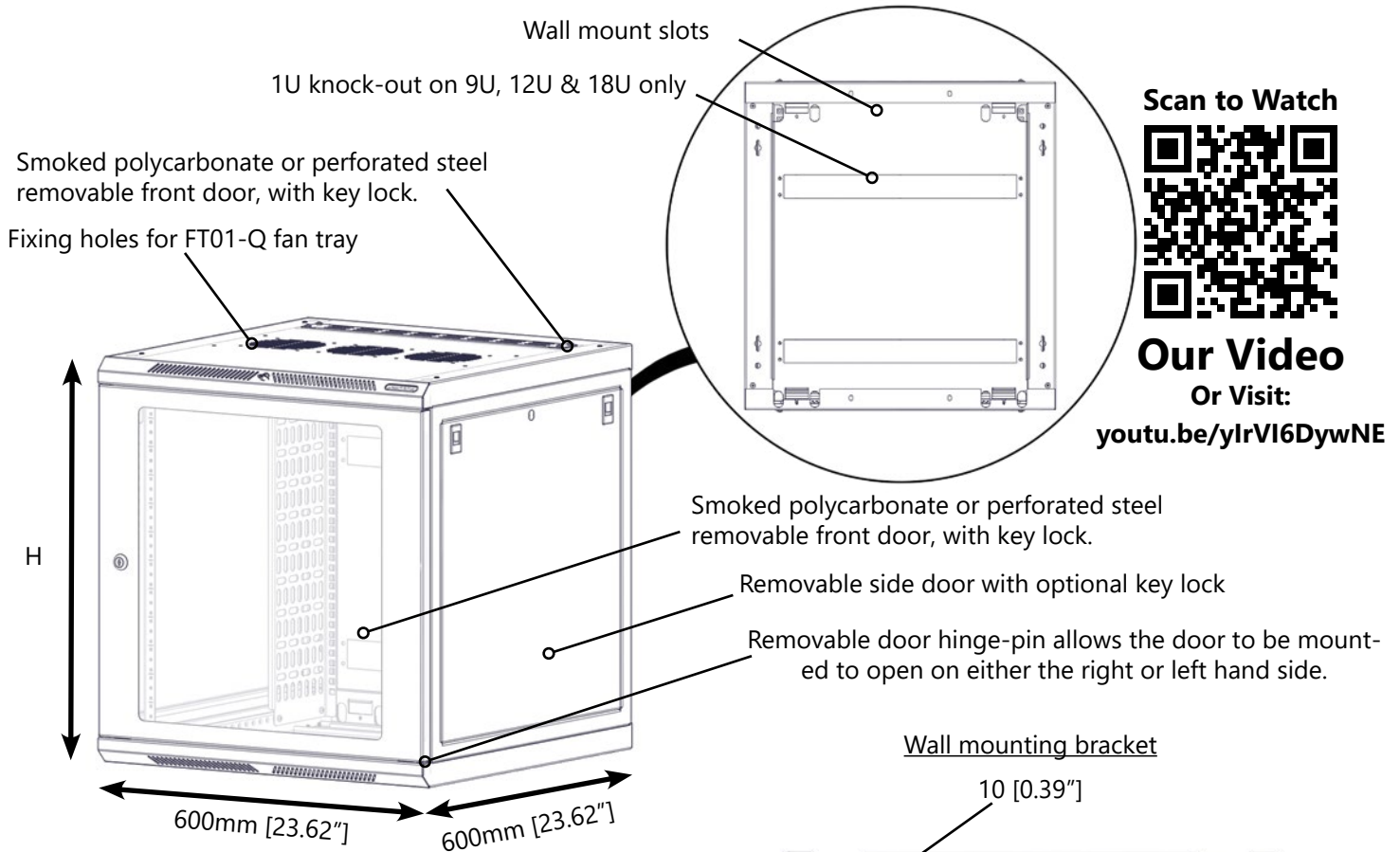
Adjustable rear rack strips with integral 150 [5.9"] cable tray



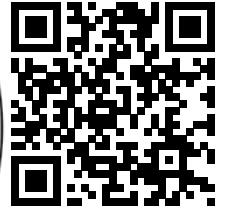
R6600 Series: 600mm / 24" Deep Wall Mounts Enclosures

	Part No.	Rail Thread	Finish	Weight	Door Type	Rack Units	Height		
	R6606-M6	M6	Black	25kg 55lb	Polycarbonate	6U	367mm 14.5"		
	R6606-1032	10/32							
	R6606-W-M6	M6	White						
	R6606-W-1032	10/32							
	R6606V-M6	M6	Black	25kg 55lb	Vented steel				
	R6606V-1032	10/32							
	R6606V-W-M6	M6	White						
	R6606V-W-1032	10/32							
	R6609-M6	M6	Black			28kg 62lb	Polycarbonate	9U	500mm 20"
	R6609-1032	10/32							
	R6609-W-M6	M6	White						
	R6609-W-1032	10/32							
	R6609V-M6	M6	Black	28kg 62lb	Vented steel				
	R6609V-1032	10/32							
	R6609V-W-M6	M6	White						
	R6609V-W-1032	10/32							
	R6612-M6	M6	Black			31kg 68lb	Polycarbonate	12U	633mm 25"
	R6612-1032	10/32							
	R6612-W-M6	M6	White						
	R6612-W-1032	10/32							
	R6612V-M6	M6	Black	30.5kg 67lb	Vented steel				
	R6612V-1032	10/32							
	R6612V-W-M6	M6	White						
	R6612V-W-1032	10/32							
	R6618-M6	M6	Black			36kg 79lb	Polycarbonate	18U	900mm 35.5"
	R6618-1032	10/32							
	R6618-W-M6	M6	White						
	R6618-W-1032	10/32							
	R6618V-M6	M6	Black	35kg 77lb	Vented steel				
	R6618V-1032	10/32							
	R6618V-W-M6	M6	White						
	R6618V-W-1032	10/32							

R6600 Series: 600mm / 24" Deep Wall Mounts Enclosures



Scan to Watch

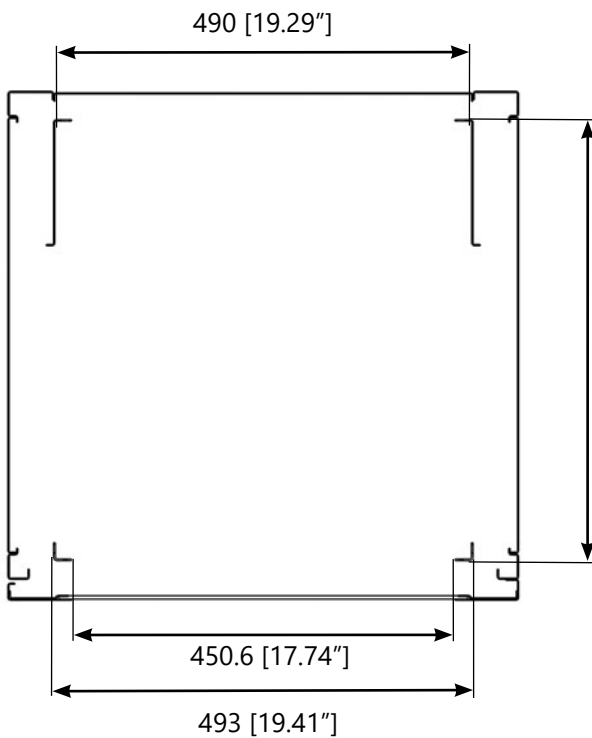
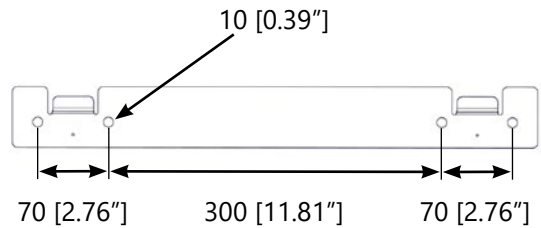


Our Video

Or Visit:

youtu.be/yIrvI6DywNE

Wall mounting bracket



Part No.	H
R6606	366.7 [14.44"]
R6609	500 [19.68"]
R6612	633.4 [24.94"]
R6618	900 [35.43"]

(Reversible, square or tapped hole) rack strips M6 Europe or 10-32 USA tapped

Adjustable rear rack strips with integral 150 [5.9"] cable tray

