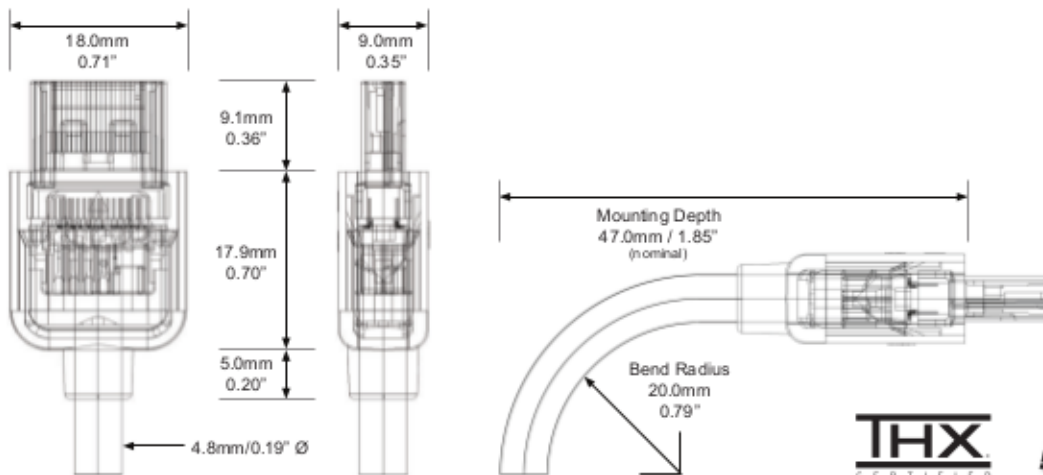


## R.3 High Speed with Ethernet HDMI cable

<b>R.3-HD0030</b>	R.3 Rack Install HDMI® Cable	0.3m
<b>R.3-HD0060</b>	R.3 Rack Install HDMI® Cable	0.6m
<b>R.3-HD0090</b>	R.3 Rack Install HDMI® Cable	0.9m
<b>R.3-HD0120</b>	R.3 Rack Install HDMI® Cable	1.2m
<b>R.3-HD0150</b>	R.3 Rack Install HDMI® Cable	1.5m

<b>R.3-HD0180</b>	R.3 Rack Install HDMI® Cable	1.8m
<b>R.3-HD0210</b>	R.3 Rack Install HDMI® Cable	2.1m
<b>R.3-HD0240</b>	R.3 Rack Install HDMI® Cable	2.4m
<b>R.3-HD0270</b>	R.3 Rack Install HDMI® Cable	2.7m
<b>R.3-HD0300</b>	R.3 Rack Install HDMI® Cable	3.0m



**RoHS**



## SPECIFICATION

Kordz R.3 is engineered for bespoke commercial AV rack installations. The unique combination of the die-cast HDMI connector, flexible 32AWG halogen free cable and small profile lightweight design results in unrivalled installation flexibility and robustness.

## FEATURES

- Engineered and built to deliver maximum commercial up-time
- 1-10ft lengths in 1ft (0.3m) increments for precision rack fitoffs
- Solid 32AWG OFC conductors
- Halogen free construction
- Induction soldered pin transitions for benchmark inter-terminal uniformity
- Anti-fatigue Die-cast Zn alloy connectors tested to  $\geq 1,000$  cycles & 2kg retention force
- Limited lifetime warranty
- 100% of units tested on the production line for NIL Bit Error Rate (BER) @ 340Mcsc, <0.05% in-field failure rate,
- **Licensed HDMI 2.0 Adopter company**

## APPLICATIONS

- Mission critical rack installations to mitigate risk typically associated with HDMI connectivity
- High shielding permits cable bundling with immunity from interference & alien crosstalk
- Benchmark low failure rate and robust construction for maximum commercial reliability
- 0.3m length increments enables optimised routing without surplus cable
- UHD video and professional graphics
- Marine
- Hotels and bars
- Board room and training centres, suitable for repetitive plug/unplug events
- Short range digital signage & video wall connectivity
- HDMI 2.0 scaleable