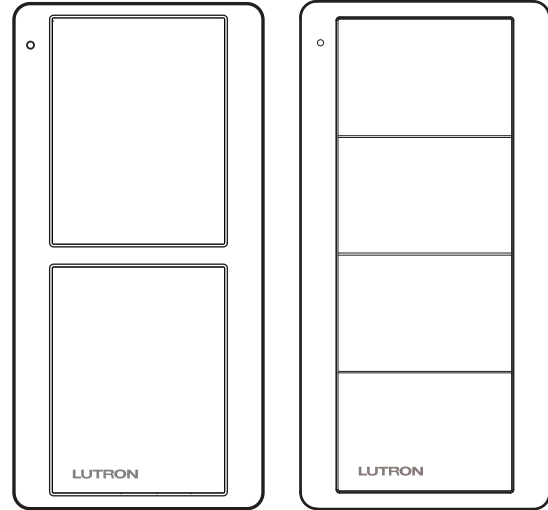


Pico Scene Keypads

The Pico wireless scene keypad is a flexible and easy to use device that allows the user to adjust multiple lights and shades to different levels at the touch of a button. This battery-operated keypad requires no external power or communication wiring.

Features

- Provides easy access to scene control in the following Lutron systems:
 - RA2 Select
 - HomeWorks QS
- Keypads available in a variety of button marking options.
- Keypads available in a textured finish only.
- Easy mounting reconfiguration for use as:
 - Wall-mount keypad (with or without faceplate; faceplate sold separately)
 - Table-top keypad (table-top pedestal sold separately)
- Utilizes Lutron reliable Clear Connect RF technology.
- Battery-powered. Requires no wiring.
- 10 year battery life¹ (one CR2032 battery included).
- Provides control of lighting devices, shades, or drapes within a range of 9 m (30 ft) through walls and 18 m (60 ft) line-of-sight.
- Each button is individually programmable using the system's app or programming software.



Pico Scene Keypads

¹ Based on a 1 year shelf life, an average of 10 button presses per day, and an ambient temperature of 30 °C (86 °F). Actual life may vary based on usage and environmental conditions.

Job Name:	Model Numbers:
Job Number:	

Specifications

Regulatory Approvals (as required per geographic region)

- Lutron Quality Systems registered to ISO 9001
- CE listed
- imDA certified
- TRA certified
- RoHS compliant
- WPC Certified

Power

- Operating Voltage 3 V \equiv
- (1) CR2032 battery (included)

System Communication and Capacity

- Communicates using Radio Frequency (RF) at 868 MHz, 868 MHz Limited, 865 MHz or 434 MHz Limited channel.
- Thousands of system addresses prevent interference between systems.
- Can be assigned to control lighting devices, shades, or drapes within a range of 9 m (30 ft) through walls and 18 m (60 ft) line-of-sight.

Mounting Options and Considerations

- All RF devices should be mounted on non-metallic surfaces to ensure proper performance.
- If you wish to mount your Pico wireless control to a metallic surface, the PICO-MOUNT-1-XX-CPN6774 will be required in order to maintain proper RF performance. For availability, please contact your local Lutron sales office.
- The Pico scene keypads can be converted to table top controls using the optional pedestal. Pedestals are available in single, double and triple configurations. See page 5 for details.
- Wall mounting adhesive included. See **Mounting Options** section for other options.

Environment

- Ambient operating temperature: 0 °C to 60 °C (32 °F to 140 °F)
- Maximum 90% non-condensing relative humidity
- Indoor use only

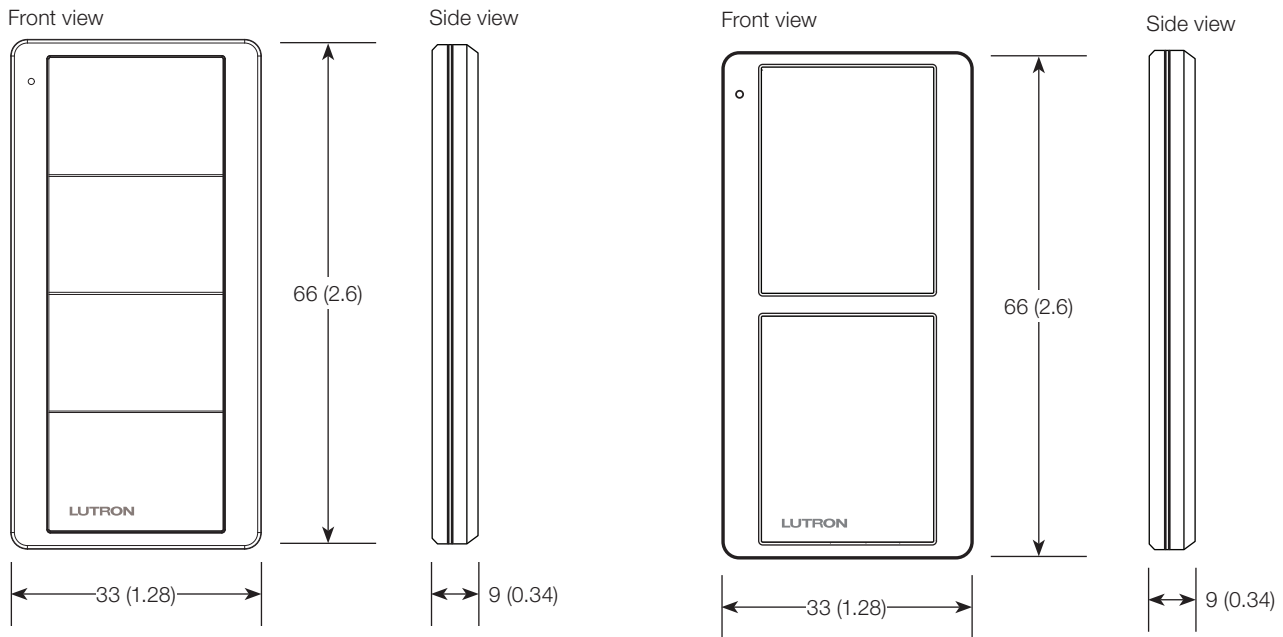
Warranty

- 1 Year Limited Warranty. For additional Warranty information, please visit www.lutron.com/TechnicalDocumentLibrary/Intl_Warranty.pdf

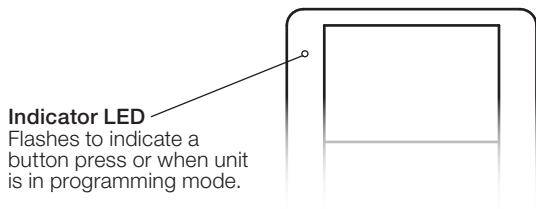
Job Name: Job Number:	Model Numbers:
--	-----------------------

Dimensions

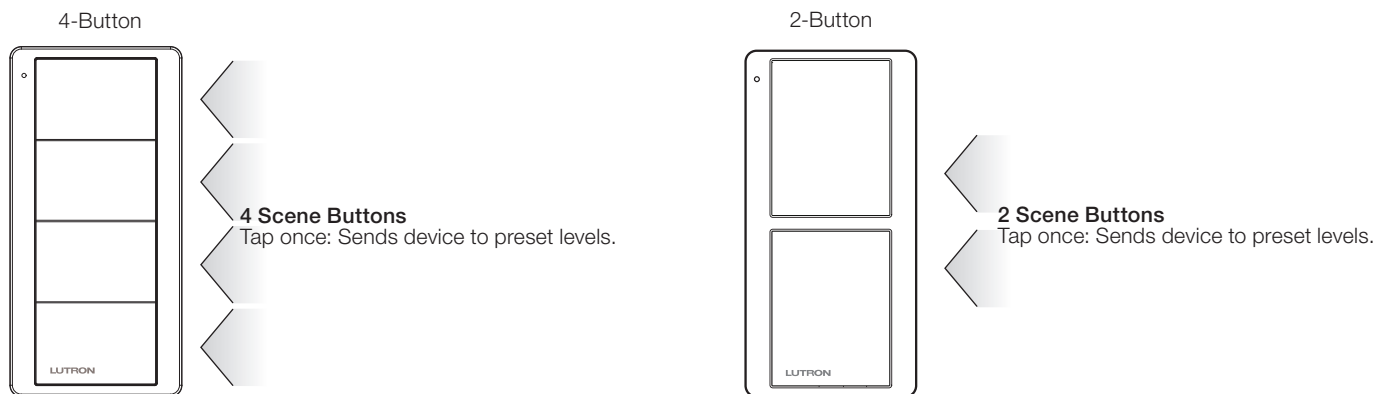
Measurements shown as: mm (in)



Operation



Scene Controls

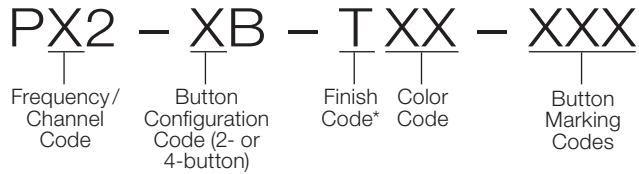


Note: In Caséta and RA2 Select systems, all Pico scene keypads with the same model number and within the same room will function identically, activating the same scenes.

Job Name:	Model Numbers:
Job Number:	

Model Number

Standard Icon Models



* Finish code "T" represents a textured finish

Frequency/Channel Code

K: 868 MHz

M: 868 MHz Limited Channel

N: 865 MHz (India)

Q: 434 MHz Limited Channel

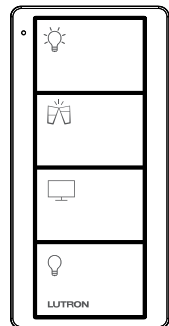
Color Codes: Satin Colors

Color	Color Code
Arctic White	AW
Black	BL

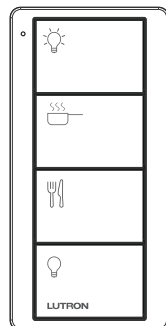
Button Marking Codes

Scene Controls

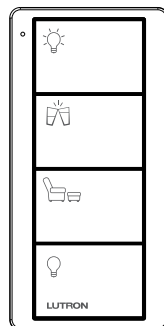
4-Button



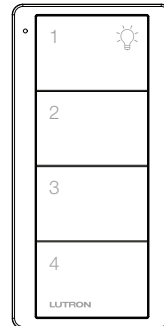
Living Room - P01



Kitchen - P02

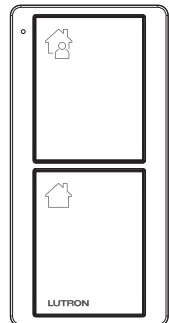


Any Room - P03

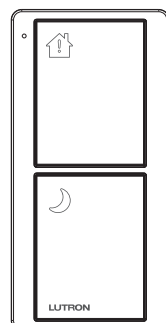


Universal Room - P04

2-Button



Entry - P01

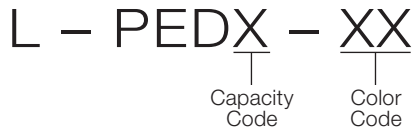


Bedside - P02

Job Name:	Model Numbers:
Job Number:	

Pico Pedestal Model Number

Pedestals sold separately.



Capacity Codes

Capacity	Code
Single	1
Double	2
Triple	3

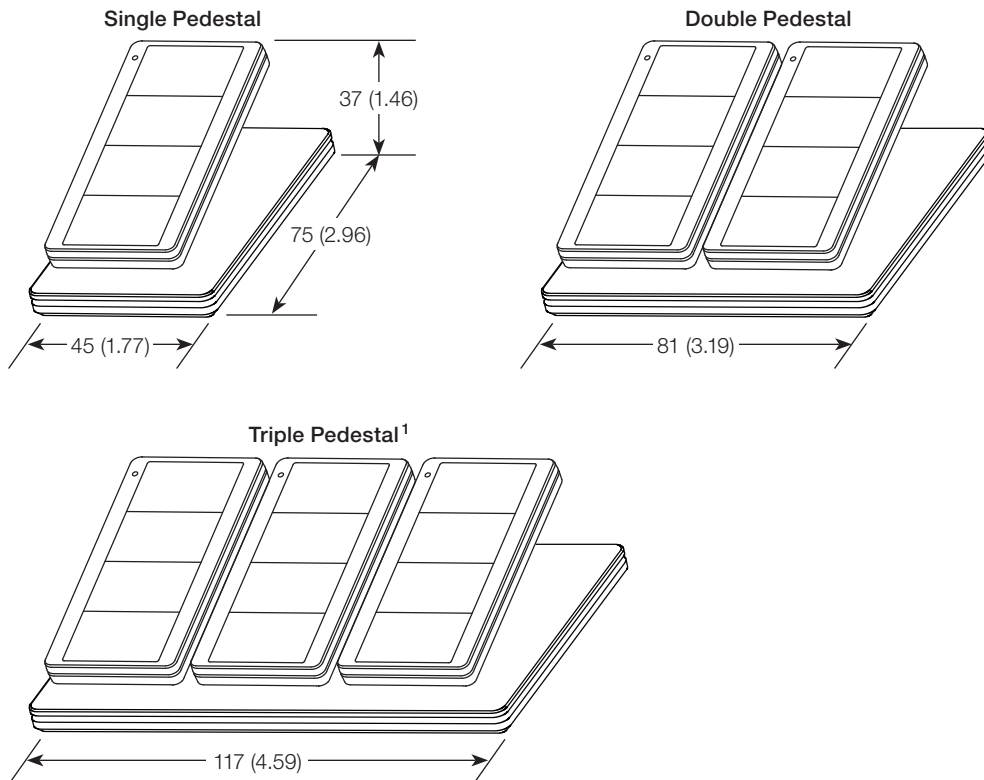
Color Codes

Available in gloss finish only.

Color	Code
White	WH
Black	BL

Dimensions

Measurements shown as: mm (in)



¹ For Triple Pedestals contact your local Lutron sales office or visit us at www.lutron.com

Job Name: Job Number:	Model Numbers:
--	-----------------------

Mounting Options

Standalone Mounting: Adhesive-Mount

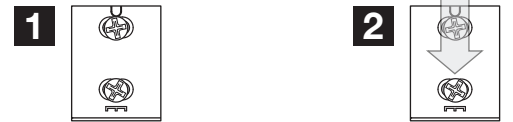
Included with Pico wireless keypad



Standalone Mounting: Screw-Mount

Model: PICO-SM-KIT
(sold separately)

Kit includes special screws to be used for more permanent mounting and/or for non-smooth surfaces.

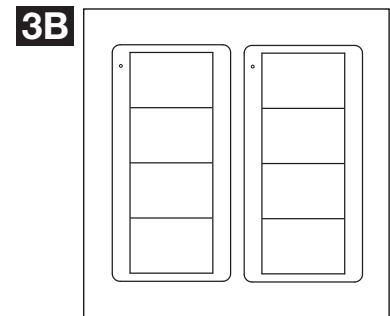
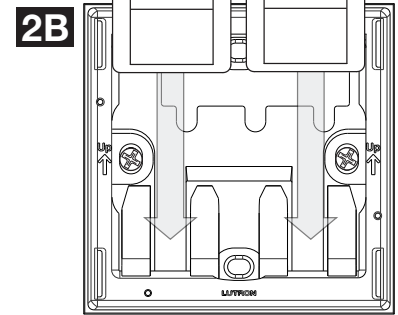
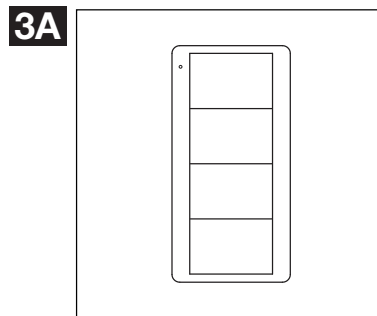
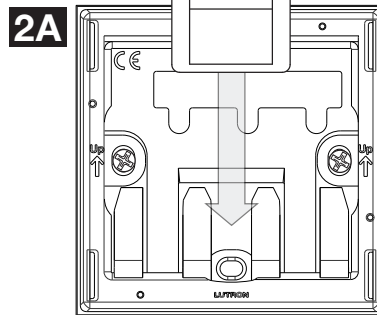
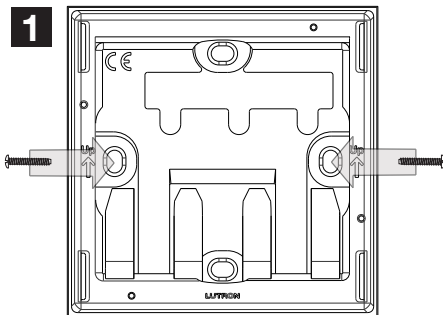


Wallbox Mounting or Surface Mounting: Square Faceplate Kits (Europe/Asia/India)^{1,2}

Faceplate adapter/faceplate included.

Model: LPFP-S1-XXX (Plastic/Metal);
LFGP-S1-CWH (Glass)
(sold separately)

Model: LPFP-S2-XXX (Plastic/Metal);
LFGP-S2-CWH (Glass)
(sold separately)



¹ For square or round wallboxes.

² For more information please see Lutron P/N 369884.

<p>Job Name:</p> <p>Job Number:</p>	<p>Model Numbers:</p>
--	-----------------------

Mounting Options (continued)

3-Gang Pico Faceplate Kit

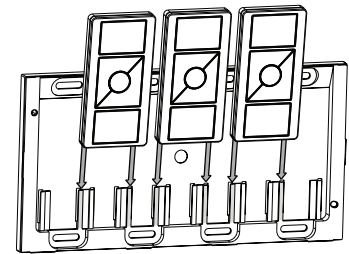
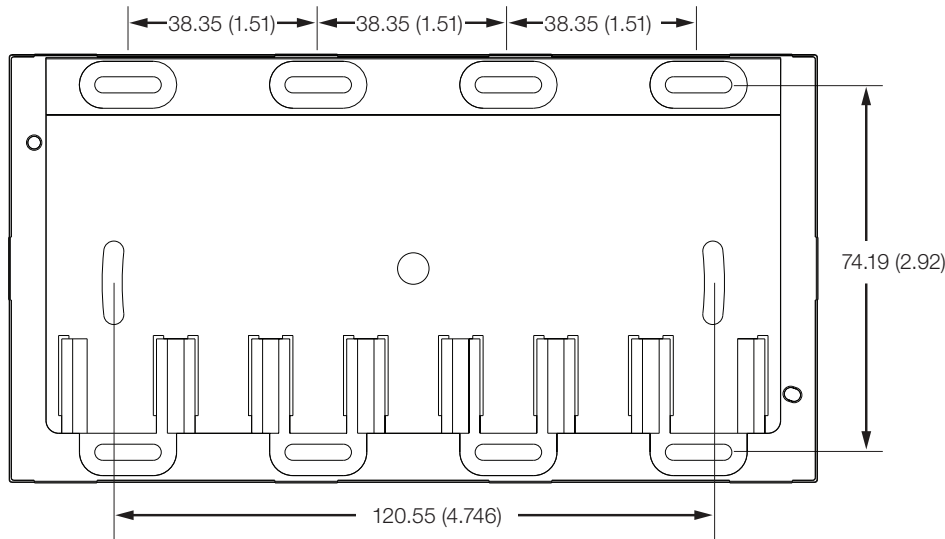
Model: LPFP-S3-TXX-CPN7881

(sold separately)

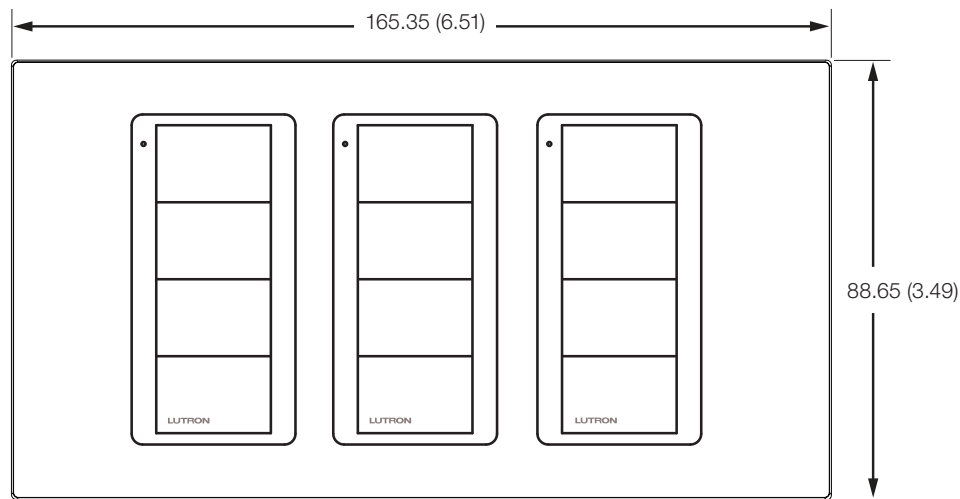
XX = Color Arctic White (AW)
and Black (BL) available

Dimensions

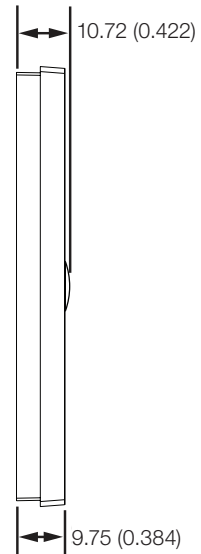
Measurements shown as: mm (in)



Pico wireless control shown sliding down into mounting grooves in adapter



Dimensions shown include faceplate and Pico



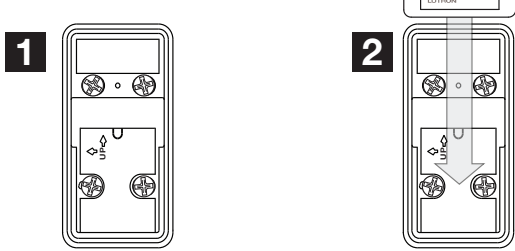
Job Name:	Model Numbers:
Job Number:	

Mounting Options (continued)

Metal Surface Mounting

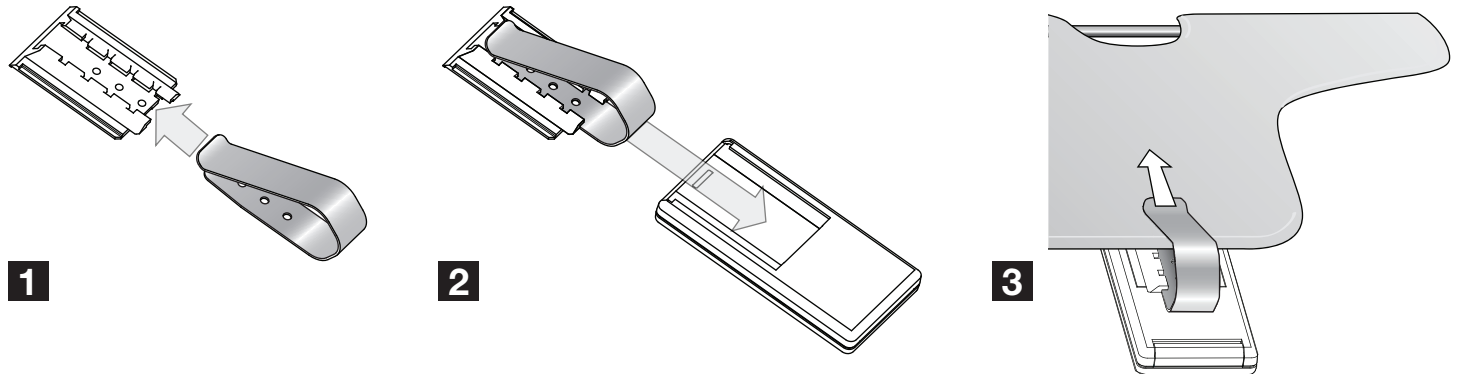
Model:
PICO-MOUNT-1-XX-CPN6774
(sold separately)

Contact your local Lutron sales office.



Mounting to a Car Visor

Model: PICO-CARVISOR-CL (sold separately)



Lutron, Lutron, Pico, RA2 Select, Clear Connect, HomeWorks, Caséta and Satin Colors are trademarks or registered trademarks of Lutron Electronics Co., Inc. in the US and/or other countries.

LUTRON SPECIFICATION SUBMITTAL

Page

Job Name:	Model Numbers:
Job Number:	