

Assembly & fitting guide

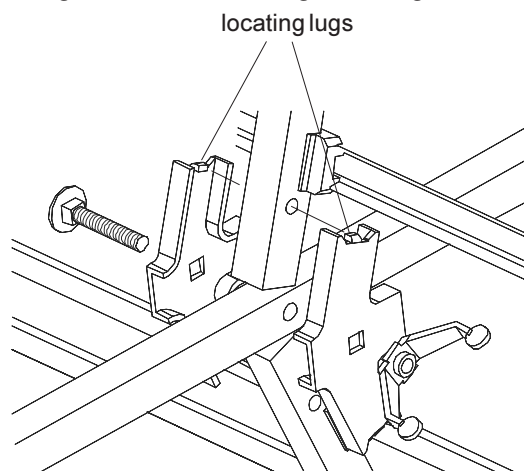
Aerial with 'F' Balun

DMC - F



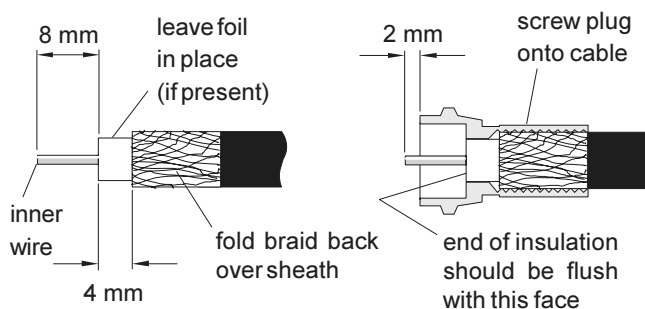
1. Fit reflector sections to boom

Loosen wing nut but do not remove. Insert each reflector section as shown. Ensure two locating lugs on clamps fit into mating holes in booms. Tighten wing nut securely.



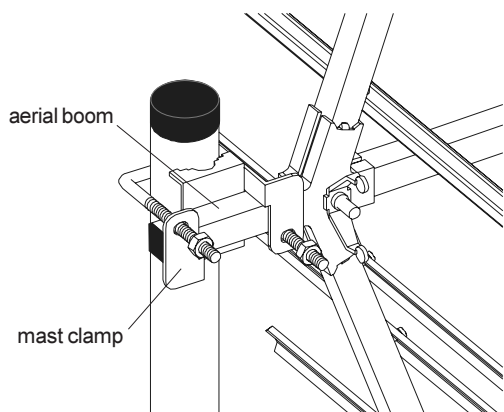
2. Fit coaxial cable and screw-on 'F' plug

Push cable through the waterproofing sleeve before fitting plug. Prepare the cable end and fit screw-on 'F' plug as shown. (The inner wire of the cable should extend slightly beyond end of plug.) Offer plug up to the socket on the aerial housing and tighten gently (11 mm spanner). **Do not leave the plug finger-tight as this may lead to unreliable reception.** Slide waterproofing sleeve into position over lip on the aerial housing.



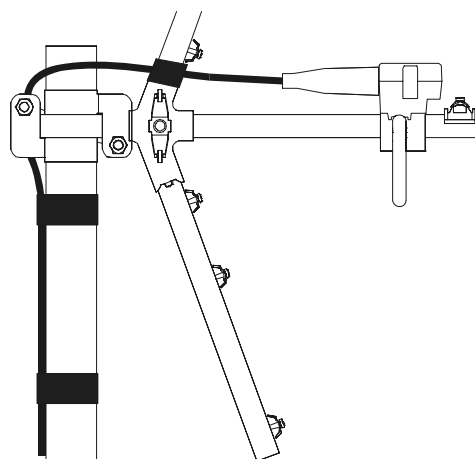
3. Fit aerial to a mast

Slide mast clamp over aerial boom as shown. Choose horizontal polarisation as shown or rotate aerial through 90° for vertical polarisation. (If in doubt about polarisation look at aerials on neighbouring roofs.) Fit to a suitable mast 1¼" – 1½" (32-38 mm) diameter and tighten nuts.



4. Recommended cable route

For best aerial performance the cable should be routed as shown and secured with pvc tape (not supplied). The cable should not touch the aerial boom.



Kit Contents

- 1 - Aerial boom with dipole and elements fitted
- 2 - Reflector sections
- 1 - Reflector 'arrow' plate clamp (fitted)
- 1 - Mast clamp.

Safety

Working at height - carry out work outdoors at height only if you are competent in the use of ladders and related access equipment. Always work safely within your own limitations, ensuring that all equipment used is appropriate and is in good condition.