

General fitting guide

Non-penetrating satellite mounts

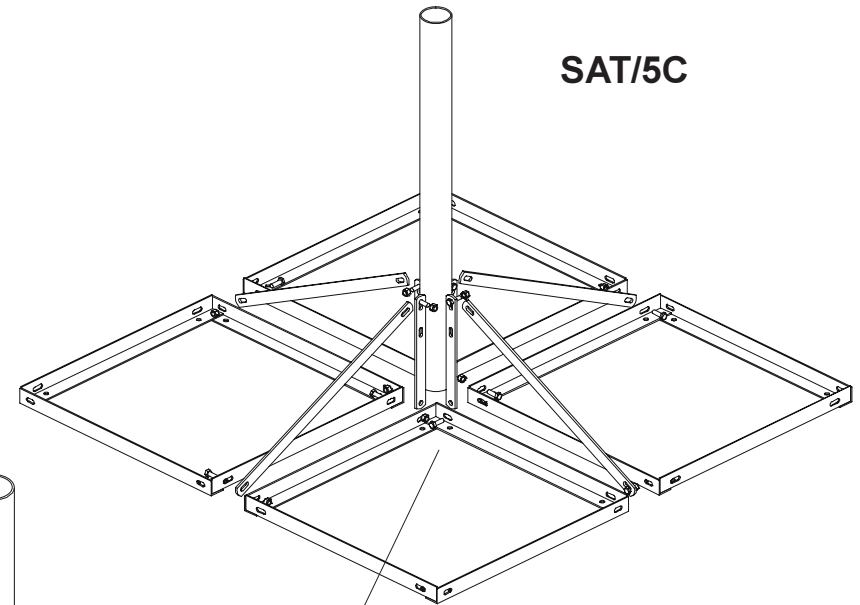
SAT/5A, SAT/5A60, SAT/5B, SAT/5C & SAT/5E



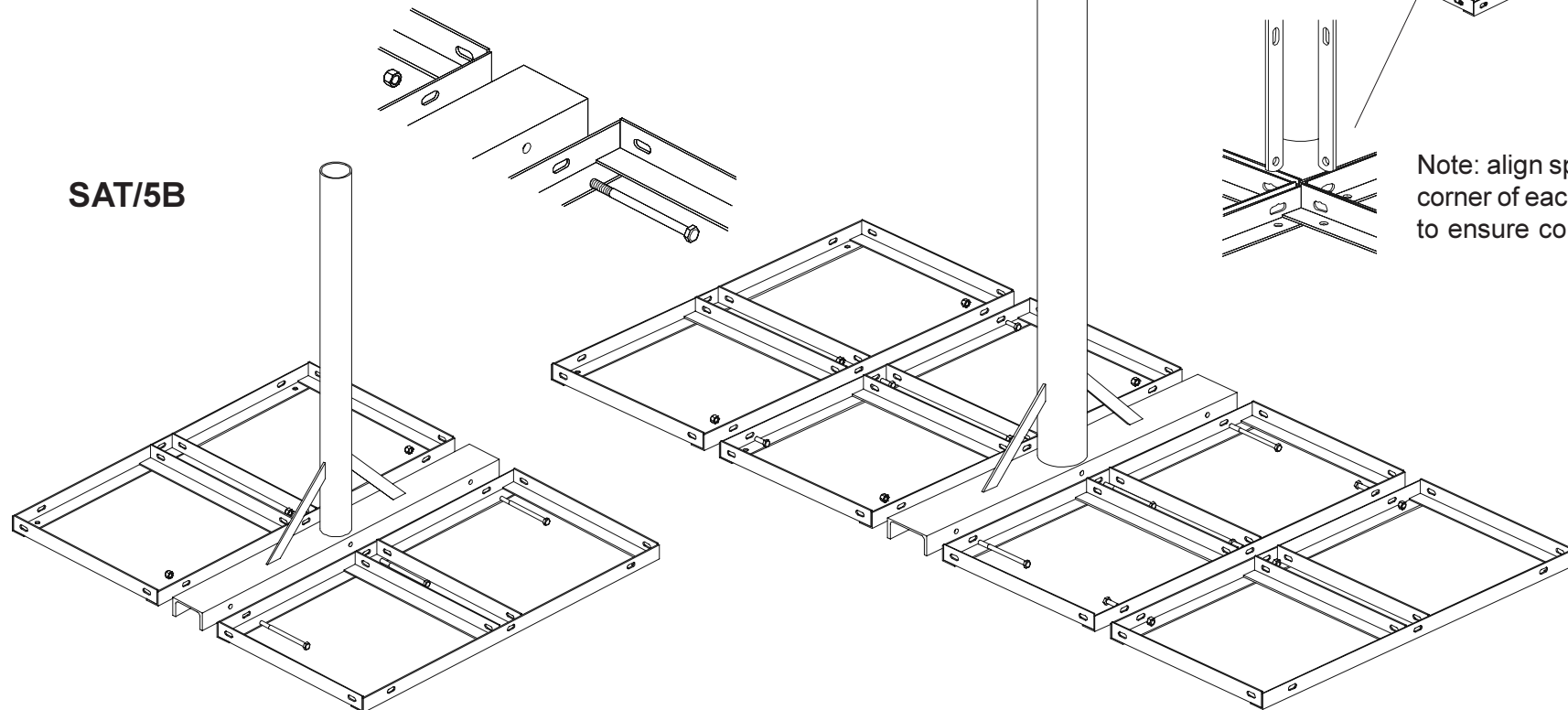
This guide covers non-penetrating roof mounts SAT/5A, SAT/5A60, SAT/5B, SAT/5C and SAT/5E. Note: an additional pair of trays (SAT/5D) may be bolted on to SAT/5C.

General notes

Some assembly arrangements are shown below. SAT/5A and SAT/5A60 are similar to SAT/5B. Mounts may be bolted down using slots in the bases or may be held in position with standard concrete paving flags (see tables for details).



SAT/5C



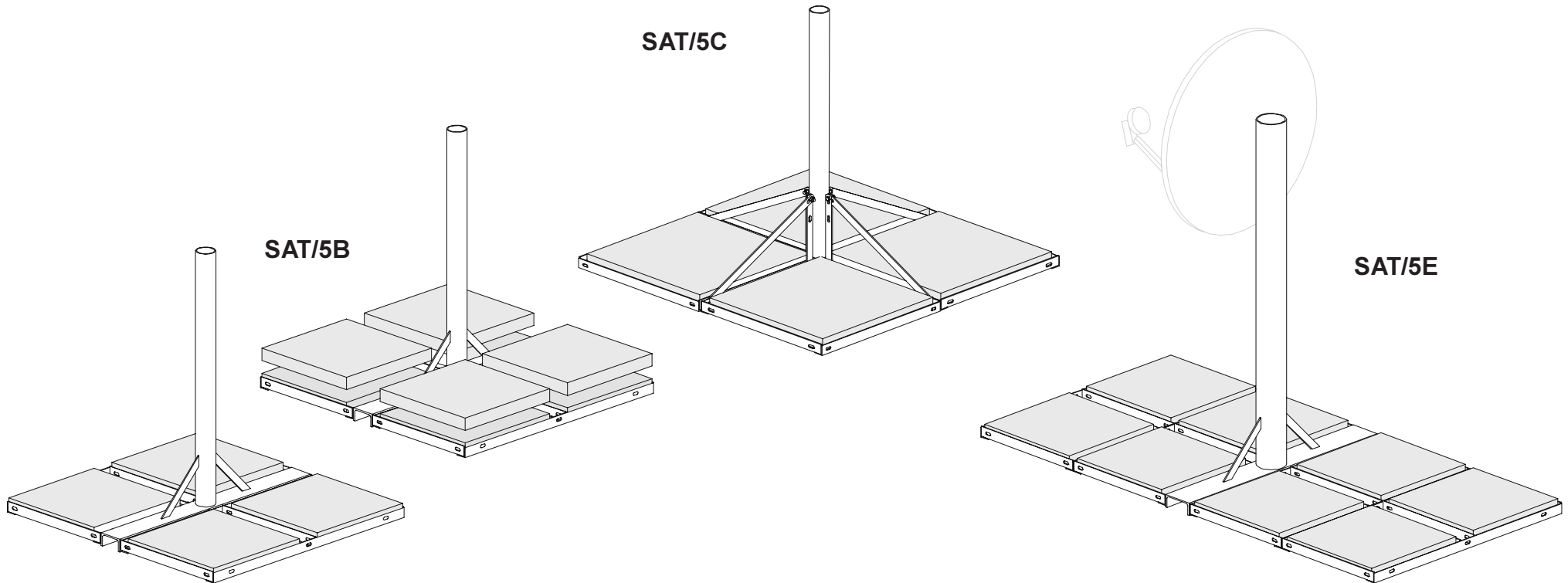
SAT/5B

Note: align special slots in one corner of each frame at centre, to ensure correct assembly.

SAT/5E

	SAT/5A	SAT/5A60	SAT/5B	SAT/5C	SAT/5E
Kit contents	ø50 mm x 1 metre high mast and channel assembly (weight 11 kg) 2-trays 1000 mm x 485 mm (weight 8 kg each) 3 x bolts M10 x 100 mm long 3 locking nuts M10	ø60 mm x 1 metre high mast and channel assembly (weight 11 kg) 2-trays 1000 mm x 485 mm (weight 8 kg each) 3 x bolts M10 x 100 mm long 3 locking nuts M10	ø75 mm x 1 metre high mast and channel assembly (weight 17 kg) 2-trays 1000 mm x 485 mm (weight 8 kg each) 3 x bolts M10 x 100 mm long 3 locking nuts M10	ø75 mm x 1 metre high mast assembly (weight 11 kg) 4-trays 645 mm x 645 mm (weight 5 kg each) 4-support arms (total weight 3 kg) 12 x bolts M10 x 30 mm long 12 locking nuts M10	ø114 mm x 1.4 metre high mast and channel assembly (weight 41 kg) 4-trays 1000 mm x 485 mm (weight 8 kg each) 3 x bolts M10 x 150 mm long 12 x bolts M10 x 30 mm long 15 locking nuts M10
Overall size	1000 x 1060 x 1045 mm high	1000 x 1060 x 1060 mm high	1000 x 1084 x 1050 mm high	1292 x 1292 x 1052 mm high	1000 x 2095 x 1451 mm high
Total weight (un-ballasted)	27 kg	27 kg	33 kg	34 kg	73 kg
Ballast (if required)	450 x 450 mm paving flags	450 x 450 mm paving flags	450 x 450 mm paving flags	600 x 600 mm paving flags	450 x 450 mm paving flags

Note: sizes and weights are subject to variation. Blake UK Limited reserves the right to change product designs and specifications.



Suitable roof surfaces should be smooth, any gravel or dirt should be removed from soft roof coverings or damage and thus rain ingress may ensue due to weight of mounts. Note that extra paving flags may be used if needed.

Loading information for SAT/5 series mounts

Safe loading guide

The following applies with the mount ballasted with four or eight 50 mm thick paving flags of the recommended size (see over).

	Notes	SAT/5A		SAT/5A60		SAT/5B		SAT/5C		SAT/5E		Unit
Number of paving flags		4	8	4	8	4	8	4	8	8	16	
Approximate weight including ballast	1	120	215	120	215	130	220	200	365	265	450	kg
Imposed load on substrate	1 & 2	1.1	2.0	1.1	2.0	1.2	2.0	1.2	2.2	1.2	2.1	kN/m ²
Maximum recommended dish size	3	0.6	0.8	0.6	0.8	0.65	0.85	0.8	1.1	0.75	1.0	m
Maximum antenna wind loading	4	300	520	300	520	320	540	480	900	440	750	N
Maximum overturning moment	5	300	520	520	520	320	540	360	1140	640	1100	Nm

Notes

1. Excludes weight of dish or antennas, etc. (this will usually be negligible in comparison with the weight of the mount and ballast). (Assumed density of concrete flags = 2300 kg/m³.)
2. It is the user's responsibility to ensure that the flat roof or other sub-structure is able to carry the imposed load safely.
3. Calculated in accordance with BS EN 60728-11:2005 for a wind pressure of 800 N/m² (v = 36 m/s) for failure by sliding or toppling (assumed coefficient of friction = 0.5) and including a factor of safety of 2.
4. Calculated as Note 3 with factor of safety of 2. For wind loading of particular antennas please refer to the manufacturer's data.
5. This applies where the mast is extended upwards to support an antenna (failure by toppling). Factor of safety of 2 included.

Disclaimer

Loading information is given for general guidance only and applies for sites of normal exposure and mounting heights not exceeding 20 metres above the surrounding ground level. **For very exposed sites and/or heights above 20 metres, and in all situations where failure could have serious consequences in terms of danger to life or property, a qualified structural engineer should be consulted.**

Products are guaranteed against manufacturing defect in accordance with our standard warranty terms. Blake UK Ltd. will accept no liability for consequential loss or damage to property, or for injury arising from the use of these products, however caused.

Further advice may be downloaded from:
www.blake-uk.com/downloads on the following:

- reception problems
- fitting coaxial connectors
- distributing TV signals around the home
- general recommendations

Safety

Working at height - carry out work outdoors at height only if you are competent in the use of ladders and related access equipment. Always work safely within your own limitations, ensuring that all equipment used is appropriate and is in good condition.