

CSUBIW10N

10" IN-WALL ARCHITECTURAL SUBWOOFER (PRE-CONSTRUCTION)



- ENGINEERED TO DISAPPEAR WITH MINIMAL PRESENCE WHILE PRODUCING POWERFUL BASS.
- PURE ALUMINUM ARCHITECTURE ENSURES PRECISION THERMAL STABILITY AND LASTING PERFORMANCE.
- DSP-CALIBRATED LOW-FREQUENCY IMPACT *WITHOUT* SACRIFICING SPACE, SYMMETRY, OR INTERIOR DESIGN.



APPLICATIONS

- NEW CONSTRUCTION LOCATIONS
- DESIGN-FORWARD INTERIORS
- MEDIA ROOMS & LIVING SPACES
- OPEN-CONCEPT SPACES

The CSUBIW10N continues Origin Acoustics' legacy of architectural subwoofer innovation, refining the integration of performance, enclosure engineering, and installation precision - without compromise. Re-engineered for today's interiors, this 10" in-wall system delivers deeper, more controlled low-frequency performance within a more efficient installation footprint, allowing powerful bass to coexist seamlessly with modern design.

Purpose-built for new construction, the CSUB10N pairs a pure aluminum driver with a dense aluminum enclosure, progressive anti-vibration architecture, and DSP-calibrated amplification to produce authoritative, low-distortion bass - engineered to be heard, before seen.



UNWAVERING POWER, STABILITY & LONGEVITY ENGINEERED WITH ALUMINUM AND FIBERGLASS PRECISION



PROGRESSIVE ANTI-VIBRATION TECHNOLOGY FOR SMOOTHER, MORE ARTICULATE BASS WITH PRESERVED FIDELITY



ARCHITECTURALLY STREAMLINED TO SECURELY INSTALL BETWEEN STANDARD FRAMING



SPACE EFFICIENT DESIGN MAXIMIZES OPTIMAL AIR VOLUME FOR SUPERIOR LOW FREQUENCY RESONANCE



DSP-CALIBRATED PERFORMANCE CUSTOMIZATION FOR PRECISION-TUNED BASS PERFORMANCE



DISCREET AND CUSTOMIZABLE MICRO-PERFORATION GRILLE FOR MINIMAL VISIBILITY



PLEASE VISIT [DOCS.ORIGINACOUSTICS.COM](https://docs.originacoustics.com)
OR SCAN THIS QR CODE FOR THE MOST UP TO DATE
INFORMATION FOR THIS PRODUCT.

ORIGIN ACOUSTICS
LAS VEGAS, NV
SALES@ORIGINACOUSTICS.COM



CSUBIW10N IN-WALL SUBWOOFER

TECHNICAL SHEET

THE CSUBIW10N IS INTENDED FOR PRE-CONSTRUCTION INSTALLATION ONLY



SINGLE-PACK



PRE-CONSTRUCTION ONLY



COMPLETE SYSTEM BUNDLES AVAILABLE

CUT-OUT DIMENSIONS: 10 7/16" x 10 7/16" (265 mm x 265 mm) **MOUNTING DEPTH:** 3 1/2" (88 mm)

THERMAL PERFORMANCE STABILITY VIA PURE ALUMINUM DRIVER TECHNOLOGY

A pure aluminum woofer cone and faceplate provide precise excursion control and durability, meanwhile high-conductivity materials ensure consistent low-frequency SPL output during demanding playback.

ARCHITECTURAL SPACE EFFICIENCY

Stud-bay optimized for new construction installation. Engineered to disappear between standard framing while producing room-commanding low-frequency authority - without sacrificing floor space or design symmetry.

ADVANCED ANTI-VIBRATION ENGINEERING

Internal damping and controlled mounting architecture minimize structural interaction for smoother, louder, and more articulate bass with preserved fidelity and minimal distortion - capable of taking in up to 800-Watts of power unfazed.

DSP-CALIBRATED PERFORMANCE

Precision-tuned via the Origin amplifiers, integrated DSP delivers precise crossover management, reduced distortion, and calibrated adaptable performance for outdoor systems that require high-performance bass.

ARCHITECTURALLY DISCREET, CUSTOMIZABLE MICRO-PERFORATION GRILLE

Fully paintable, low-visibility grille blends elegantly into exterior walls and architectural surfaces while elevating the acoustic experience. Optional custom grille printing service for camouflaged integration into any interior finish.

COMPLETE LIVING SPACE INTEGRATION

Pairs effortlessly with Origin speakers, Blend Invisible Series loudspeakers, and the Origin ProA Amplifier series to create a design-conscious living room system delivering full-range performance with architectural discretion.



PLEASE VISIT [DOCS.ORIGINACOUSTICS.COM](https://docs.originacoustics.com)
OR SCAN THIS QR CODE FOR THE MOST UP TO DATE
INFORMATION FOR THIS PRODUCT.

ORIGIN ACOUSTICS
LAS VEGAS, NV
SALES@ORIGINACOUSTICS.COM

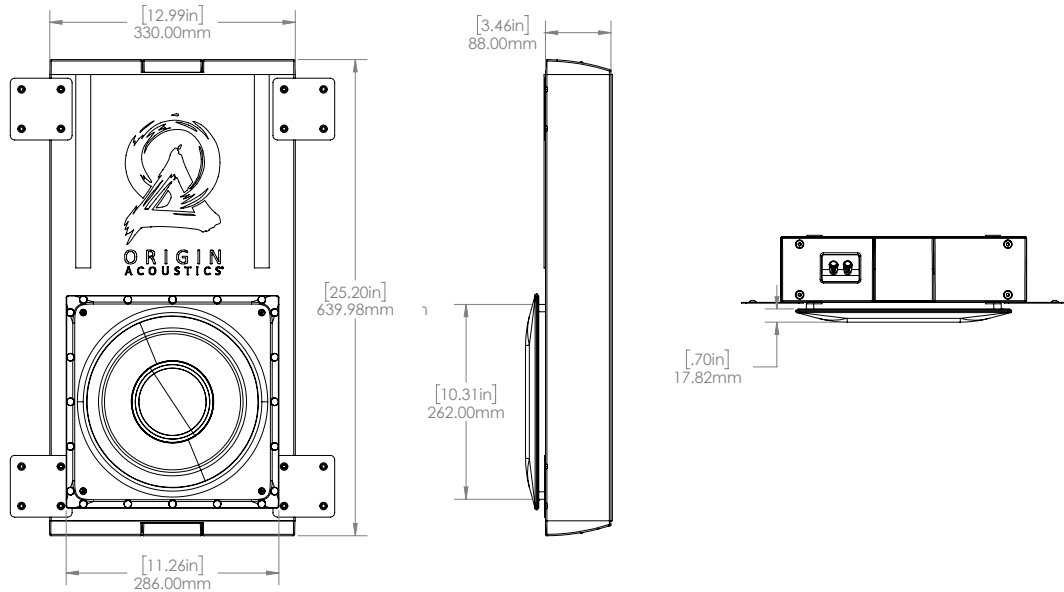


CSUBIW10N IN-WALL SUBWOOFER

TECHNICAL SHEET

THE CSUBIW10N IS INTENDED FOR PRE-CONSTRUCTION INSTALLATION ONLY

LINE DRAWINGS



PERFORMANCE

SPECIFICATION

CSUBIW10N

System Type	In-Wall Subwoofer
Driver Components	10" Rigid Aluminum Cone Woofer. with Rubber Surround
Crossover	HPF = 25hz, 24dB/oct BW LPF = 120hz or less, 24dB/oct BW
Frequency Response (with Origin PRO DSP)	29Hz - 150Hz [- 10 dB] 36Hz - 120Hz [+/- 3 dB]
Maximum SPL @ 1m, half space	111 dB Continuous, 114 dB Peak
Sensitivity (2.83V/1m), half space	85 dB
Power Handling	200W Noise / 400W Program / 800W Peak
Recommended Amp Power	100 - 800 Watts (FCT) @ 4Ω
Rated Impedance	8Ω nominal / 6.9Ω minimum
Input Connectors	Gold Plated Spring Push Terminals
Enclosure	Extruded Aluminum

APPLICATIONS

- NEW CONSTRUCTION LOCATIONS
- DESIGN-FORWARD INTERIORS
- MEDIA ROOMS & LIVING SPACES
- OPEN-CONCEPT SPACES

SYSTEM PAIRING

Pair with Origin PRO Amplifiers with ready-to-go dedicated DSP profiles, for a seamless, optimal listening experience.



PLEASE VISIT [DOCS.ORIGINACOUSTICS.COM](https://docs.originacoustics.com)
OR SCAN THIS QR CODE FOR THE MOST UP TO DATE
INFORMATION FOR THIS PRODUCT.

ORIGIN ACOUSTICS
LAS VEGAS, NV
SALES@ORIGINACOUSTICS.COM