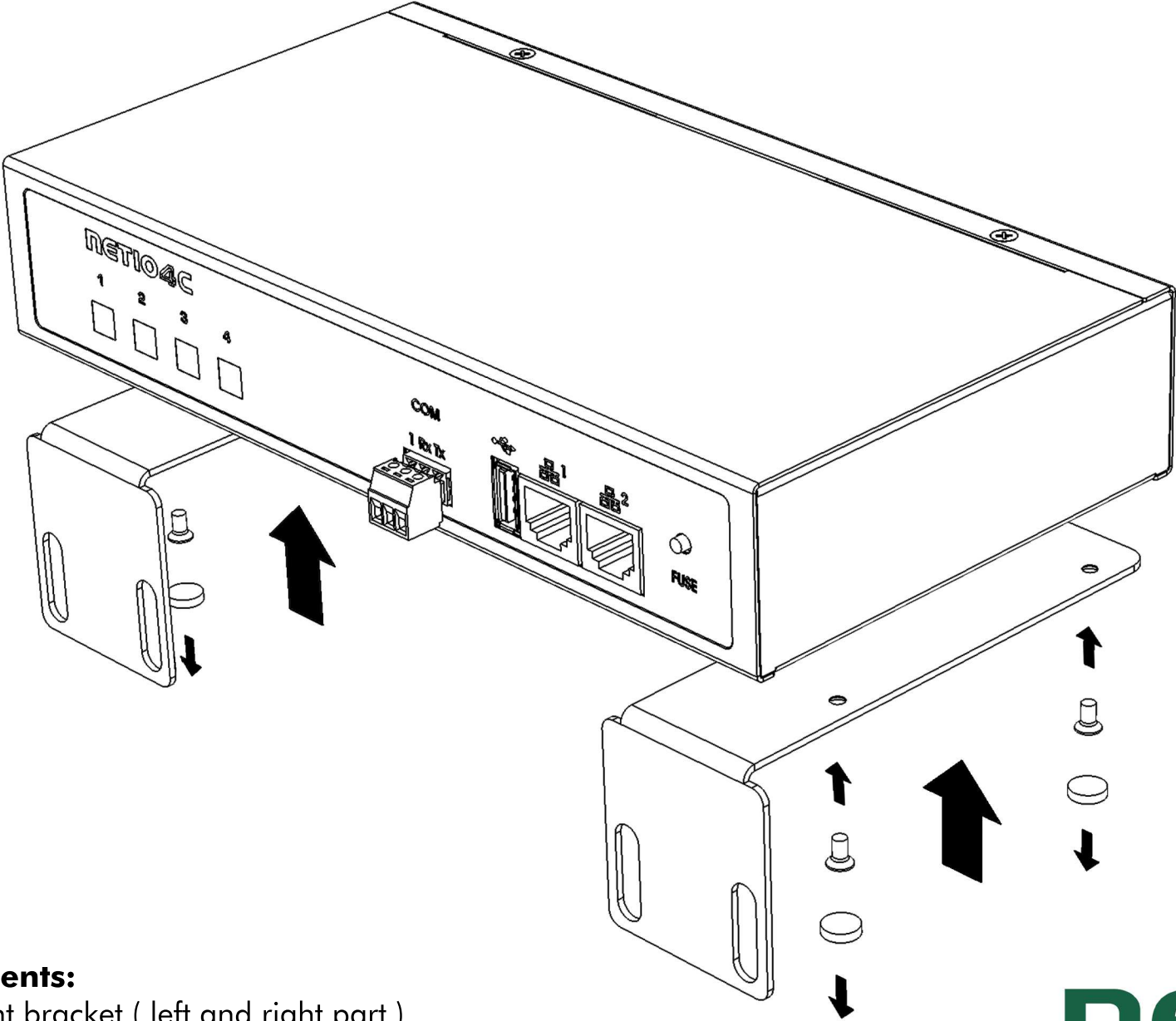


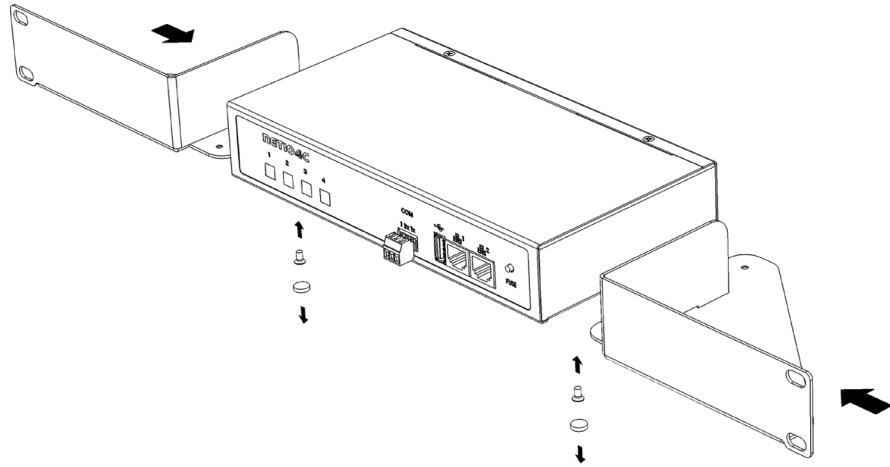
NETIO RM3 4C vertical



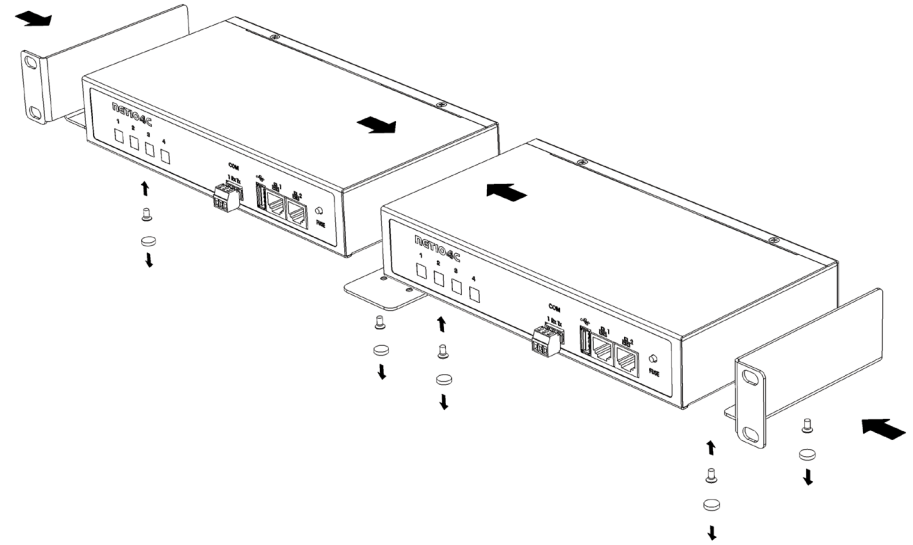
Package contents:

- 2x rack mount bracket (left and right part)
- 4x screw M3x6
- 1x M6 rack mounting set - bolt/washer/cage-nut (4)

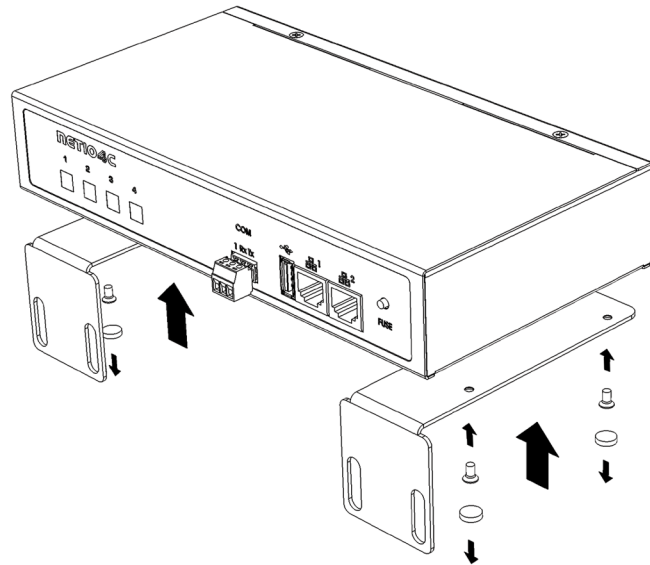
NETIO RM1 4C



NETIO RM2 2x4C



NETIO RM3 4C vertical



NETIO RM4 4C universal

