

## Parameters

### Electrical Parameters:

Buspro power supply	DC18-30V
Buspro power consumption	25mA/DC24V
Detection diameter	Φ8m (Installation height:3m)
Temperature detection range	- 20°C~60°C
Illumination detection range	0~500Lux

### Environment Conditions:

Working temperature	-5°C~+45°C
Working relative humidity	Up to 90%
Storage temperature	-20°C~+60°C
Storage relative humidity	Up to 93%

### Approved:

CE

RoHS

### Product Information:

Dimensions	84mm(diameter)×37.5mm
Net weight	55.4g
Housing material	ABS
Installation	Ceiling mount
Protection degree	IP20

## HDL Buspro Definition for cable

HDL Buspro	HDL Buspro/KNX
DC24V	Red
COM	Black
DATA-	White
DATA+	Yellow

## Important Notes

- **Installation** – Indoor, keep it away from AC outlet and heat source.
- **Environment temperature** - Make sure the temperature is below 36°C ( PIR )
- **Buspro cable** - HDL Buspro/KNX cable.
- **Buspro connection** - Series connection (hand-in-hand).
- **Installation** – Ceiling mount.

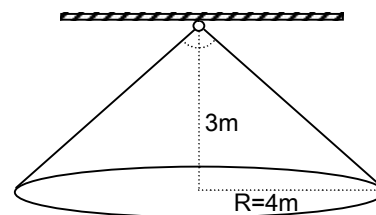
## Overview



**HDL-MSP07M.4C** 7 in 1 sensor includes PIR motion sensor, temperature sensor, LUX sensor, dry contact, etc. It can satisfy different requirements according to different logics. It supports HDL security mode.

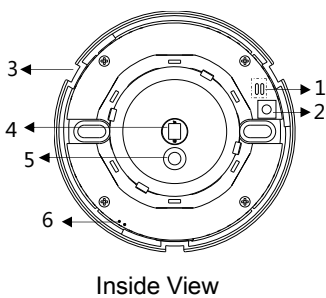
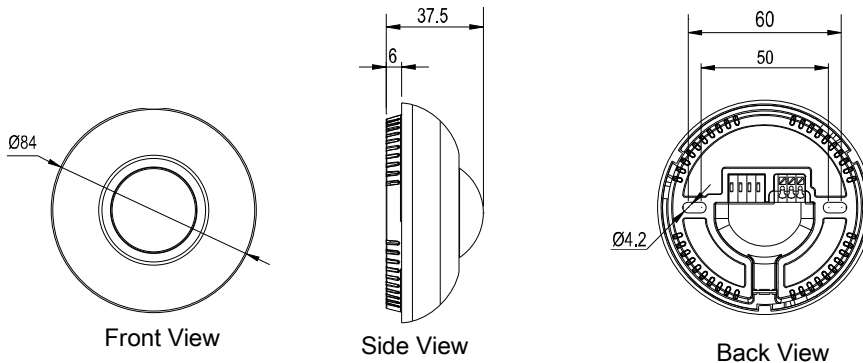
## Functions

- Built-in PIR sensor, LUX sensor, dry contact, temperature sensor and universal switch control
- It has LUX sensor, temperature sensor, PIR sensor, two dry contact inputs and logical condition
- Two logic relations: OR, AND
- Adjustable infrared motion sensitivity, range is 1-10
- It has 24 logic blocks. The range of universal switch number in logic is 201-248 , each logic has 2 universal switch numbers. The universal switch has Auto-Off function, delay time is 1-3600s
- Both true logic and false logic can trigger the targets respectively. Up to 10 logic blocks to trigger the control target
- Supports upgrade from HDL Buspro
- Constant LUX function

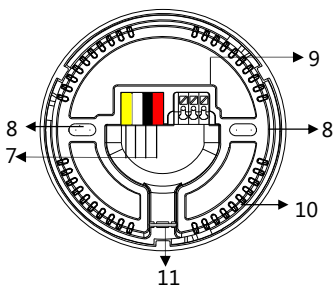


Motion detect range

## Dimensions and Wiring



Inside View



Cover

### 1. LED indicator and IR indicator

when the module is working properly, it will turn blue. And it will turn red when it detects the motion.

Notes: Indicators can be set from HDL Buspro Setup tool

### 2. Module address setting

Keep pressing it for 3s, it will turn blue, go to "Address management" -> "Address modification" of HDL Buspro Setup tool to change the address setting

### 3. Slot

### 4. PIR sensor

### 5. LUX sensor

### 6. Temperature sensor

### 7. HDL Buspro, from right to left: DC24V, COM, DATA-, DATA+

### 8. Screw holes

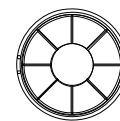
### 9. Dry contact 1,2

### 10. Ventilation hole

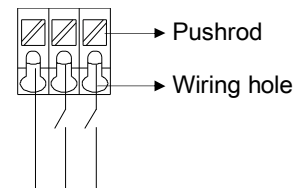
### 11. Open it for wires

### 12. Fresnel lens

You need to open the cover, and then fix by screws. Finally, put on the cover.



Parts: Angle cover, you can remove some of them according to the installation, to enlarge or narrow down detection zone.



Dry contact 1,2

### Dry contact cable requirement:

Wire: 0.5~0.75mm<sup>2</sup>

Length : 8.5~10mm

Suggests to use the shield cable, the length should not exceed 20m

### Dry contact connection:

Use the screwdriver or others to press the pushrod, the wiring hole will open. The wires are put in the wiring hole, and then loosen the pushrod, the wires will be locked.

## Safe Precautions



- The screw down strength should not exceed 0.1Nm.
- Do not make wrong connection on Buspro interface, it will damage the Buspro interface of this module.
- Do not get AC power into Buspro wire, it will damage all devices in the system.
- Avoid contact with liquids and corrosive gases.

## Packing List

- |                                  |    |
|----------------------------------|----|
| ■ Datasheet                      | ×1 |
| ■ 7 In 1 Sensor ( HDL-MSP07M.4C) | ×1 |

