

Parameters

Electrical Parameters:	
Working voltage	DC12~30V (From HDL-MPPI.46)
Power consumption	85mA /DC24V
Terminal	0.75-0.85 single-core copper cable
Environment conditions:	
Working temperature	- 5°C~45°C
Working relative humidity	<90%
Storage temperature	-20°C~+60°C
Storage relative humidity	<93%
Approved:	
CE	
RoHS	
Product Information:	
LCD resolution ratio	480x272
Dimension	86×116.5×10.5 (mm) (Normal)
	96×126.5×10.5 (mm) (XL)
Weight	129g
Housing material	Glass, PC, ABS
Installation	Wall box
Protection degree	IP20

Installation Steps

- Mount the HDL-MPPI.46 in the wall box
- Connect bus cables. Make sure the color of wire complies with the definition
- Make sure the Buspro cable type is correct and has no short circuit
- Put this device into HDL-MPPI.46

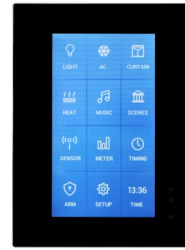
HDL Buspro Definition for Cable

HDL Buspro	HDL Buspro/KNX
DC24V	Red
COM	Black
DATA-	White
DATA+	Yellow

Important Notes

- It must work in conjunction with HDL-MPPI.46
- Buspro connection-Series connection (hand-in-hand)
- Installation-US wall box

Overview

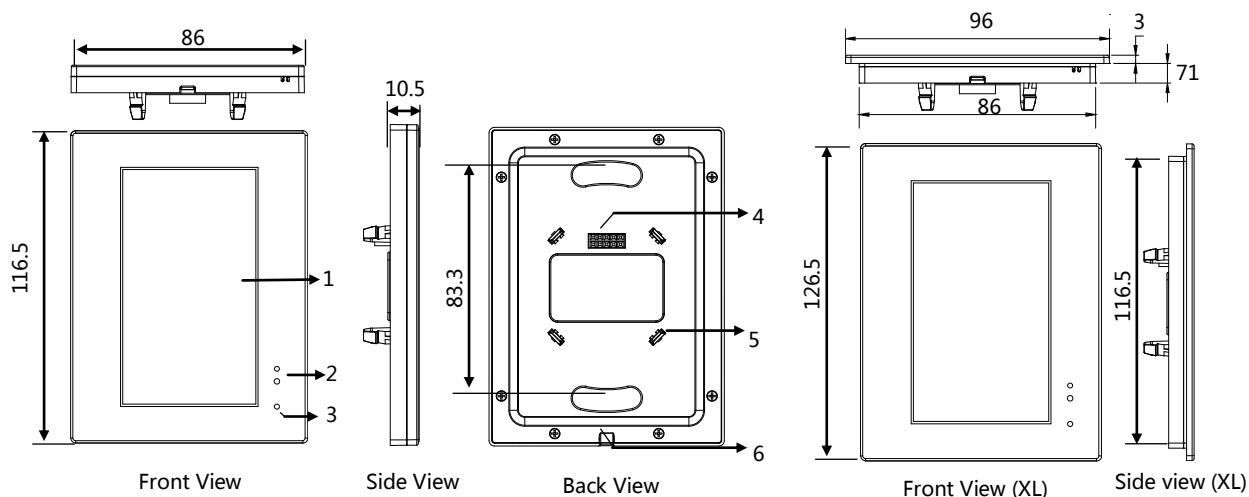


HDL-MPTLC43.46 multi-function touch LCD panel, it has normal and XL versions. The panel can control the lighting, scene, music, floor heating. You can touch the screen for controlling.

Functions

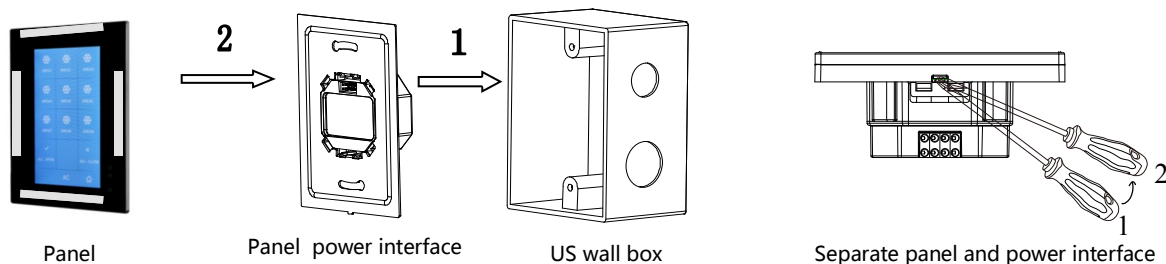
- Built-in temperature sensor and IR receiver
- Adjustable LCD backlight
- Wake up function
- According to the time, will change standby interface automatically, the screen will be dark and enter the power saving mode
- Lighting control: 6 pages, each page has 9 lights and 2 scenes, keep pressing the icon, can dim
- AC control: supports 9 air-conditions
- Curtain control: 6 pages, 1-5 is curtain, 6 is roller shutter
- Floor heating control: supports 9 floor heating modules, mode: Heat, Night, Move, Timing
- Music play: supports 8 music player
Music source: SD, CD, BT, FDDI, RADIO
Play list: supports 10 lists, list 1...list 10
- Can set 12 scenes
- Sensor control: work in conjunction with sensors, IR movement device, etc. can check doors, windows status and IR movement status.
- Can check the water and electricity consumption
- Timer function
- Security setting: supports 6 security modules, each security module can set different security mode, such as holiday, away, day, night, etc
- Time function: can display the time, temperature, CO₂, etc.
- Key mode: Invalid, Single on-off, Single on, Single off, etc.
- Key control mode: Scene, Sequence, Timer switch, Single channel on-off, Broadcast scene, Broadcast channel, Curtain, GPRS control, Panel control, etc.
- Panel functions: option IR Receiver, Lock, Turn on/off AC, cooling & heating for AC, Auto temperature setting, Fan Speed regulating, AC Mode setting, AC Temperature regulating, backlight adjusting, AC Lock, Backlight and status indicator light setting, floor heating temperature and mode setting etc.
- Supports online upgrading

Dimensions and Wiring



- 1 **LCD screen:** display the icon and control
- 2 **Wake up function:** IR detection, when people close to the panel, the screen will light
- 3 **IR receiver:** can receive the IR signal to control.
- 4 **Signal interface and fastener:** Connect to panel power interface (MPPI.46)
- 5 **Split gap:** Insert a slotted screwdriver to split gap, separate the panel and power module (MPPI.46)

Installation



Installation: Hold the edge of the panel (shown as above grey area), insert the power interface module vertically. Do not push the panel too hard.

Split: Insert a 2.5mm-screwdriver to the split gap, pry up from Position 1 to 2, then the wiring hole will open. Then separate the panel and MPPI.46.

Safety Precautions



- Do not make wrong connection on bus interface, it will damage the bus interface of this module
- Never let liquids get into the module, it will damage this module
- Do not get AC power into bus wire, it will damage all device in the system

Packing List

- Panel*1/ Datasheet*1

