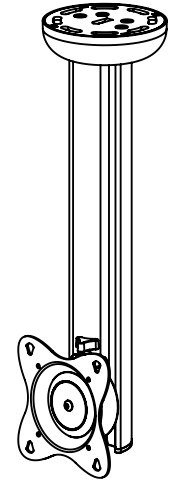
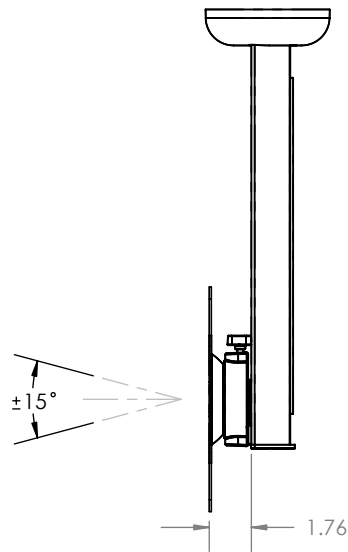


ROLL CONTROL  
 $\pm 90^\circ$



	NAME	DATE	<b>SANUS</b> SYSTEMS TITLE: <h1>MC1A</h1>
DRAWN	NAS	8/11/2006	
CHECKED		1/1/2001	
ENG APPR.		1/1/2001	

**PROPRIETARY AND CONFIDENTIAL**

This product and/or its method of use is covered by one or more of the following patent(s): U.S. Patent numbers D405,988; D407,244; D405,630; 6,349,657; D429,581; D446,053; D440,079; 6,098,822; D494,978; D495,714; D496,367; D507,477; D494,596; D495,713; and D493,800 and foreign equivalents; European Patent number 000170717-0001; 000170717-0002; 1228942; and 106588 and foreign equivalents; and other patents issued or patents pending in the U.S. and other countries that are either assigned or exclusively licensed to Sanus Systems.

**NOTES:**

WEIGHT CAPACITY: 60 lbs.  
 VESA MOUNTING PATTERS:  
 200X200, 200X100, 100X100,  
 75X75.