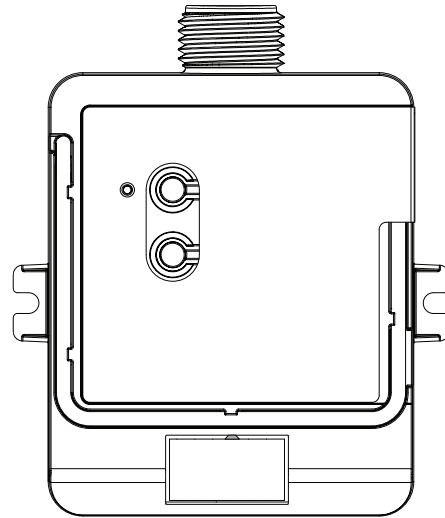


## RF Relay Module with Softswitch

### Compatible with RA2 Select, RadioRA 2, and HomeWorks systems

The RF relay module with Softswitch is a radio frequency (RF) device that uses Lutron patented Softswitch technology to control up to 16 A of general-purpose loads based on input from RA2 Select, RadioRA 2, and HomeWorks systems.

- Lutron patented Softswitch technology prevents arcing of relay contacts, extending product lifetime.
- Various operating voltages available — refer to **Models** chart below for details on voltage requirements.
- Capable of switching 16 A of general-purpose loads.
- Utilizes Lutron Clear Connect RF technology— refer to **Models** chart below for frequency band data and Lutron system compatibility.
- Mounts to an electrical junction box through a 1/2 in (21 mm trade-size) knockout opening.
- Complies with requirements for use in a compartment handling environmental air (plenum) per NEC® 2011 300.22(C)(3) (LMJ- model only).



### Models

Model Number	Region	Operating Voltage	Frequency Band	Compatible Systems
LMJ-16R-DV-B	U.S.A., Canada, Mexico	120 / 277 V~	434 MHz	RA2 Select, RadioRA 2, HomeWorks
LMK-16R-DV-B	Europe, U.A.E.	220-240 V~	868 MHz	
LMM-16R-DV-B	China		868 Limited	
LMN-16R-DV-B	India		865 MHz	
LMQ-16R-DV-B	Hong Kong, Israel		434 Limited	

**NOTE:** Contact Lutron for frequency band compatibility for your geographic region if it is not indicated above.

## RF Relay Module with Softswitch

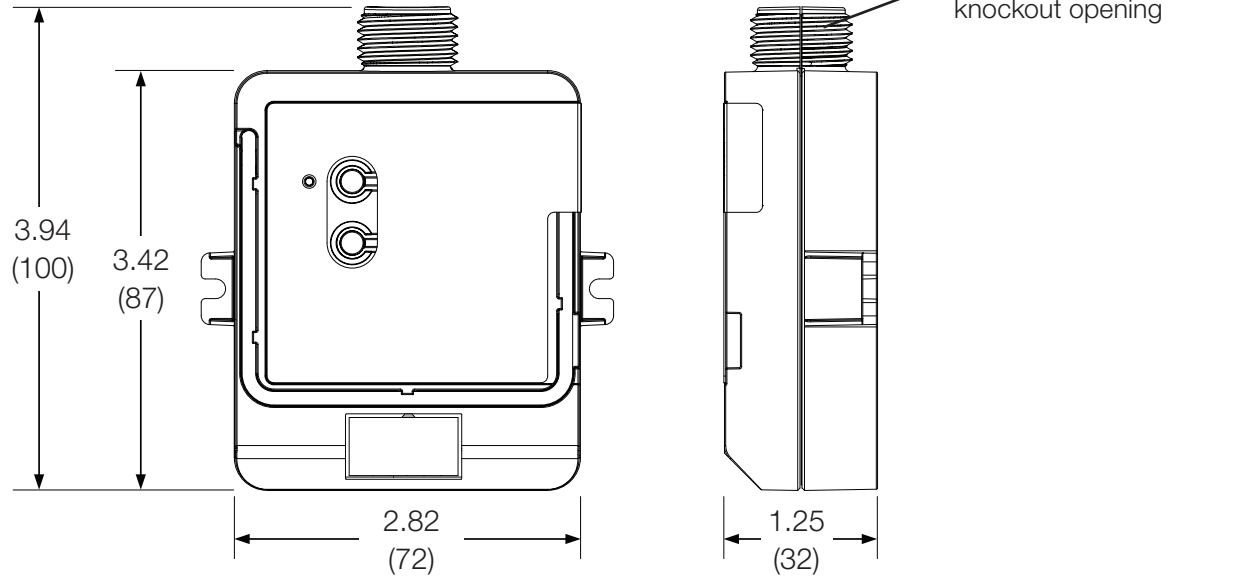
### Specification

<b>Power</b>	120/277 V~ 50/60 Hz 16 A 0.5 HP at 120 V~ 1.5 HP at 277 V~ (LMJ- model) 220–240 V~ 50/60 Hz 16 A motor: 6 A (LMK-, LMM-, LMN-, LMQ- models)
<b>Typical Power Consumption</b>	< 1.0 W Typical power test conditions: all loads off, top LED on
<b>Regulatory Approvals</b>	UL <sup>®</sup> , UL 2043 Plenum Rated, FCC Approved. Complies with the limits for a Class B device, pursuant to Part 15 of the FCC rules: CSA, IC, NOM, ANATEL (LMJ- model) CE, TRA, CITC (LMK- model) WPC (LMN- model)
<b>Environment</b>	Ambient operating temperature: 32 °F to 131 °F (0 °C to 55 °C) Ambient operating humidity: 0% to 90% humidity, non-condensing. Indoor use only.
<b>Communications</b>	Operates using Clear Connect RF technology for reliable wireless communication; refer to <b>Models</b> chart on page 1 for band frequency details. RF range is 30 ft (9 m) from repeaters. Contact Lutron for applications using foil-backed or metallic ceiling tiles.
<b>Load</b>	Maximum load: 16 A general purpose. No minimum load requirements. Load types include, but are not limited to: Incandescent, MLV, ELV, Resistive, Inductive, Magnetic fluorescent, and Electronic fluorescent.
<b>Surge Protection</b>	Tested to withstand surge voltages without damage or loss of operation, in accordance with IEEE C62.41-1991 Recommended Practice on Surge Voltages in Low-Voltage AC Power Circuits.
<b>Mounting</b>	Mounts to an electrical junction box through a 1/2 in (21 mm trade-size) knockout opening.
<b>Warranty</b>	<a href="http://www.lutron.com/TechnicalDocumentLibrary/Warranty.pdf">www.lutron.com/TechnicalDocumentLibrary/Warranty.pdf</a> <a href="http://www.lutron.com/TechnicalDocumentLibrary/Intl_Warranty.pdf">www.lutron.com/TechnicalDocumentLibrary/Intl_Warranty.pdf</a>

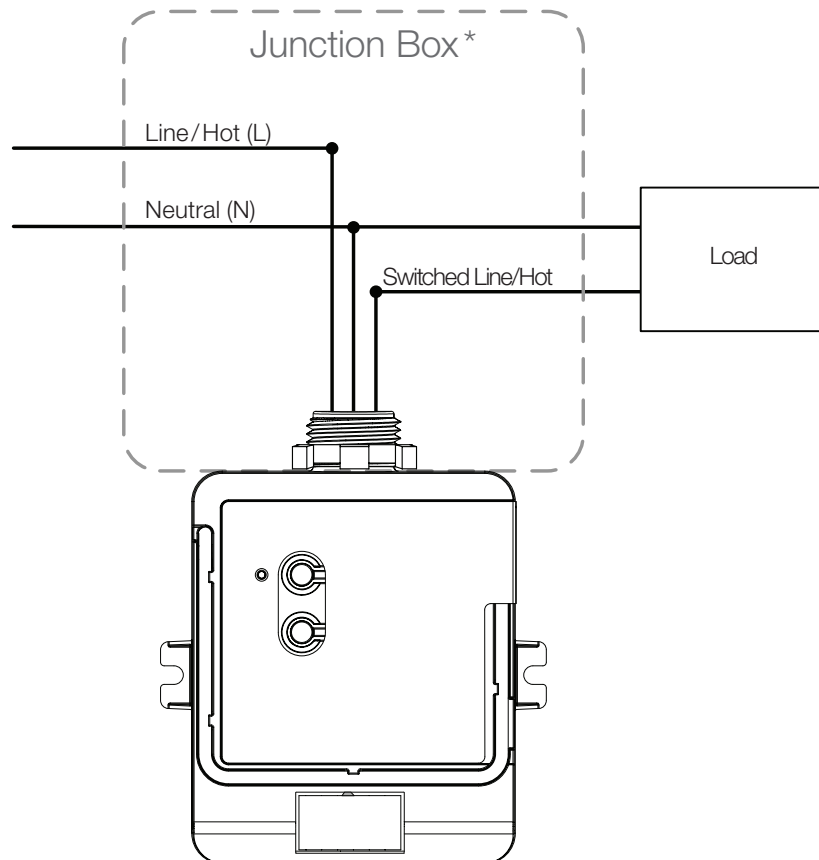
## RF Relay Module with Softswitch

### Dimensions

Dimensions shown as: in (mm)



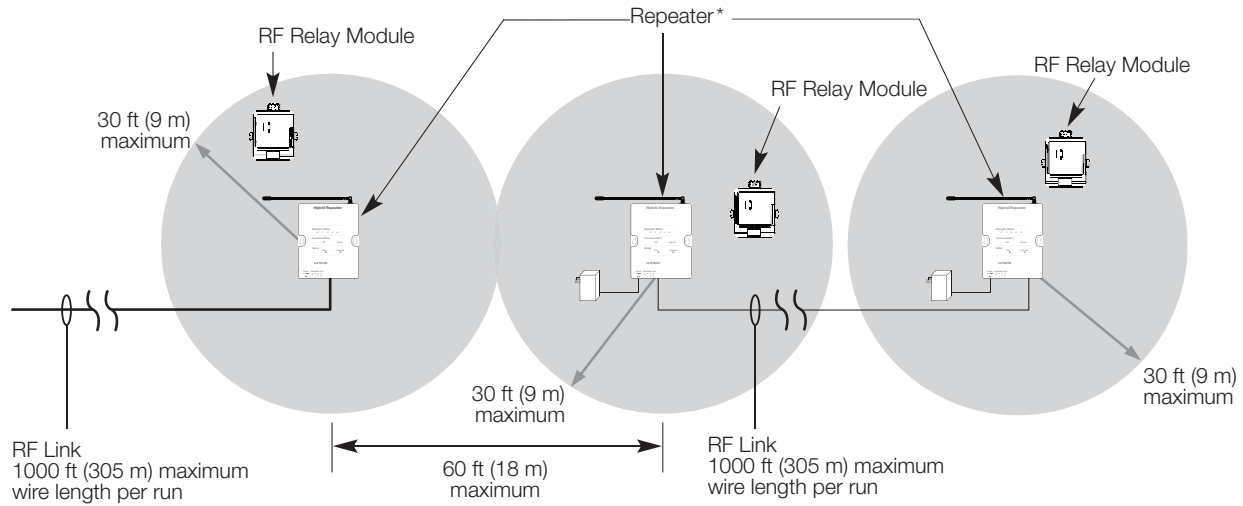
### Wiring Diagram



**\* NOTE:** Some applications (in U.S.A.) require the RF module to be installed inside an additional junction box. For information about how to perform this installation, please see Application Note #423 (P/N 048423) at [www.lutron.com](http://www.lutron.com). Please consult all local and national electric codes for proper installation methods.

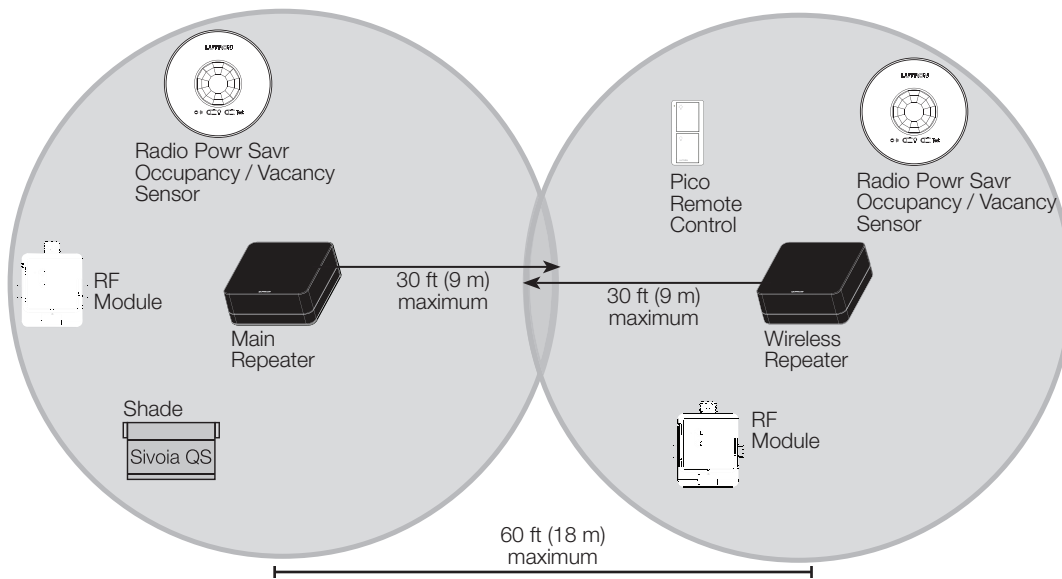
# RF Relay Module with Softswitch Communications

## Wired and RF Configuration (RadioRA 2 and HomeWorks)



\* In HomeWorks systems, use hybrid repeaters for range extension. In RadioRA 2, the repeater shown may be either a main repeater (1 required) or auxiliary repeater (up to 4 permitted).

## RA2 Select RF Range



All devices must be located within 30 ft (9 m) of a repeater. The range can be extended with up to 4 Lutron wireless repeaters (Lx-REPPRO).

Lutron, Clear Connect, HomeWorks, RA2 Select, RadioRA, RadioRA 2, Radio Powr Savr, Pico, Sivoia, and Softswitch are trademarks or registered trademarks of Lutron Electronics Co., Inc. in the US and/or other countries. All product names, logos, and brands are property of their respective owners.