

# PRO CAT6 Slim-Profile Network Patch Cord

The Kordz PRO Series CAT6 Network Patch Cord is a highly flexible, slim-profile, stranded 28AWG copper patch cord ideal for the professional and custom installer/integrator. With a cable diameter of only 3.9mm, the PRO series network patch cord provides over 30% reduction in diameter when compared with conventional 24AWG patch cords. Combined with stranded 28AWG oxygen free copper conductors and solid extrusion for maximum twist protection, the cable is both highly flexible and ensures signal integrity in general applications. The Kordz PRO CAT6 Network Patch Cord also brings to the market a new compact, custom designed RJ45 connector featuring an almost unbreakable latch. Using better materials, the RJ45 latch is rated to 2,000+ 180°degree bends. This removes the need for cable replacements due to latch breakage, saving installers time and cable wastage, living up to the promise of Connectivity.Assured. Each unit up to and including 10m is tested to meet the ANSI/TIA-568.2-D component requirements, with 15m, 20m & 30m lengths meeting channel requirements.



- ▶ Engineered and constructed to ensure installation success and longevity
- ▶ Exceeds all Category 6 ANSI/TIA 568.2-D standards for all frequencies from 1 to 250 MHz
- ▶ UTP 28AWG CAT6 slim-profile network patch cord
- ▶ UL (CM) fire rating
- ▶ 568B wire connection configuration
- ▶ Overall cable diameter of 3.9mmØ
- ▶ New compact design connector with 2000 bend cycle latch
- ▶ Available in 7 colours – Black, blue, grey, green, yellow, red & white
- ▶ Available in lengths from 0.15m to 30.0m lengths
- ▶ Lifetime Warranty

## Technical Specifications

### Category 6 Network Patch Cord Specification Standard

Application Standards		ANSI/TIA-568.2-D
		IEC11802
		EN50173
Performance Standard	≤ 10.0m	Category 6 Component Tested
	≥ 15.0m	Category 6 Channel Tested
Wiring method		T568-B
Certified Data Rate		1 Gbps (Gigabit ethernet)
Supported Data Rate		≥ 1 Gbps (Gigabit ethernet)
Certified Bandwidth		1 to 250 MHz
Supported Bandwidth		≥ 250 MHz

### Construction

Conductors	Solid 28 AWG Oxygen Free Stranded Copper	
Conductor Insulation	Polyolefin	
Shielding	Not Applicable	
Cable Jacket Material	UL CM-rated PVC	
Connector Material	Nylon	
Contact Type	3-prong for solid/stranded conductors	
Strain Relief	Injection-moulded PVC	

### Mechanical

Cable Diameter	28 AWG, 3.9mm/0.15"Ø	
Maximum Cable Pulling Tension	80 kgf/cm²	
Cable to Plug Tensile Strength	TBC	
Cable Bend Radius	11.7mm   0.46in	
Recommended Total Mounting Depth	27.7mm   1.09in	
Mating Cycles (max.)	1000 cycles	
Temperature range	UL Temp rating	75°C

### Electrical Characteristics

Conductor Resistance	223Ω/km	
Insulation Resistance	10MΩ min @100V DC	

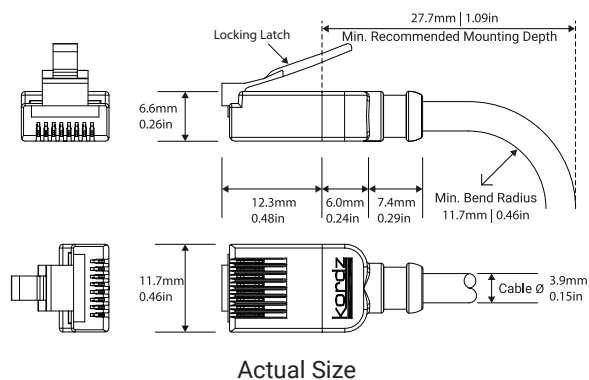
kordz.com



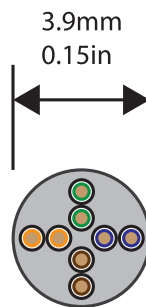
kordz.com



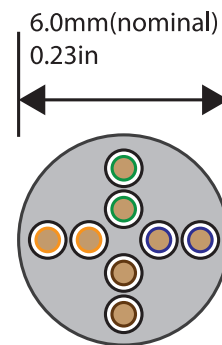
# PRO CAT6 Slim-Profile Network Patch Cord



Actual Size



Kordz 28AWG Slim Profile  
CAT6 Network Patch Cord



Standard 24AWG  
CAT6 Network Patch Cord

Over 50% reduction in cross-sectional area

Available lengths



Available colours



Part No:	Length	AWG	Technology	Test Standard	Length Variance	Inner Ctn Qty	Master Ctn Qty
K23045-0015-xx	0.15m   0.49ft	28	Category 6	Component	± 10mm	15	90
K23045-0025-xx	0.25m   0.82ft				± 15mm	15	90
K23045-0050-xx	0.50m   1.64ft				± 25mm	15	90
K23045-0075-xx	0.75m   2.46ft				± 30mm	15	90
K23045-0100-xx	1.00m   3.28ft				± 50mm	12	72
K23045-0150-xx	1.50m   4.92ft				± 50mm	12	72
K23045-0200-xx	2.00m   6.56ft				± 50mm	12	72
K23045-0250-xx	2.50m   8.20ft				± 50mm	12	72
K23045-0300-xx	3.00m   9.84ft				± 100mm	10	60
K23045-0400-xx	4.00m   13.1ft				± 100mm	8	48
K23045-0500-xx	5.00m   16.4ft				± 100mm	8	48
K23045-0750-xx	7.50m   24.6ft				± 100mm	12	36
K23045-1000-xx	10.0m   32.8ft				± 100mm	10	30
K23045-1500-xx	15.0m   49.2ft				Channel	± 200mm	8
K23045-2000-xx	20.0m   65.6ft			± 200mm		8	16
K23045-3000-xx	30.0m   98.4ft			± 200mm		8	16
[xx] = Represents the jacket colour		Black [BK]	RAL9011		Red [RD]	RAL3000	
		Blue [BL]	RAL5015		White [WH]	RAL9003	
		Green [GN]	RAL6018		Yellow [YL]	RAL1018	
		Grey [GY]	RAL7045				

Kordz products are sold with a limited warranty as outlined at: [www.kordz.com](http://www.kordz.com)

©2020 Kordz International. All rights reserved. Kordz Connectivity, Assured & Kordz range logos are trademarks or registered trademarks of Kordz International in Hong Kong and in other countries.

All other trademarks are the property of their respective owners.