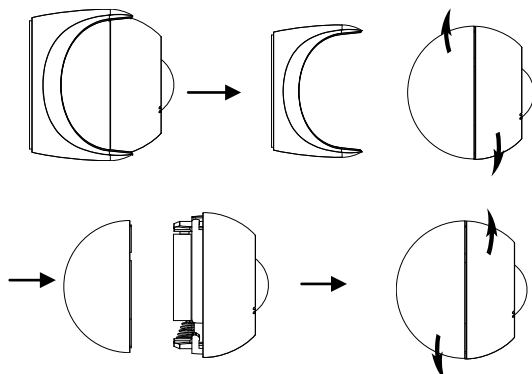


## Parameters

Electrical Parameters:	
Working voltage	3V 1400mAh (From battery)
Working current	21mA
Standby current	24μA
Indoor communication distance	≤30m
RSSI Received Signal Strength Indication	>-80dbm
Frequency allocation:	
(China) WPAN	780-786MHz
(Europe) SRD	864-870MHz
(North America) ISM	904-928MHz
Default password	HDL-SecurityKey0
Environmental Conditions:	
Working temperature	0°C~36°C
Working relative humidity	<90%
Storage temperature	-20°C~+60°C
Storage relative humidity	<93%
Approved	
CE	
RoHS	
Product Information:	
Dimension	54x54x51.5(mm)
Net weight	125g
Housing material	PC
Installation	Ceiling mounted, screw or fix by double faced adhesive tape
Protection rating	IP20
Battery	Panasonic CR123A

## Installation Steps

- Take out the cover, shown as below picture.
- Install the battery
- Install the cover, use the screw or double faced adhesive tape to fix.



## Overview



HDL-MSPU03.BRF.10 Wireless PIR sensor, customer can use it to detect the movement, and then, trigger the target.

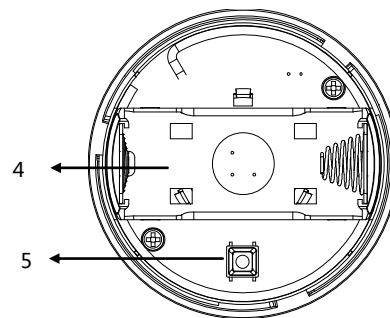
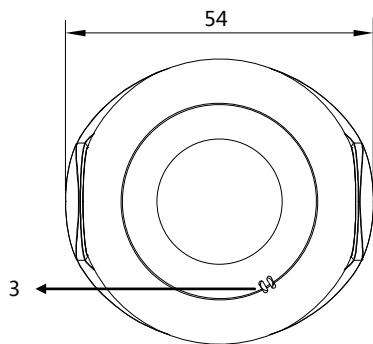
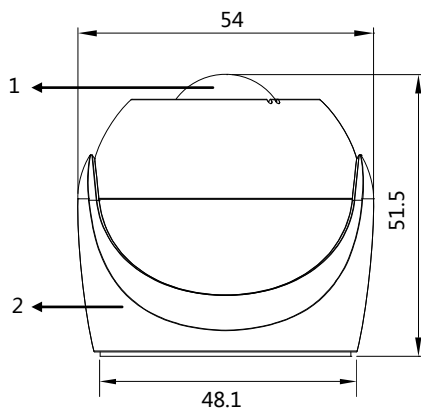
## Functions

- Build in PIR sensor, LUX sensor, Temperature sensor
- LUX detection: detect current brightness
- Temperature detection: detect current temperature
- Battery energy detection: detect current battery energy
- Broadcast function: can broadcast its status, such as: movement, brightness, temperature, battery energy, you can select from the configuration of software.
- Target type: invalid, scene, sequence, universal switch, single channel lighting control, curtain switch, GPRS control, broadcast scene, broadcast channel, security, z-audio control.
- Can adjust the detection range.
- Supports IEEE.802.15.4

## Important Notes

- This device needs to work with mesh gateway.
- Its subnet ID must be same as mesh gateway.
- Avoid placing the unit next to metal or any heat source.
- When battery energy is less 2.8V, need to change the battery.
- Make sure the battery installation is right.
- Need to set in the HDL Buspro software.
- The indoor temperature should be 0-36 degree, if not, will not work fine.

## Dimensions (mm) and Description



Internal

1. Fresnel lens
2. The base can be fixed with screws or double faced adhesive tape. It can be used to adjust the detection area.
3. Temperature sensor
4. Battery
5. Programming button & LED indicator

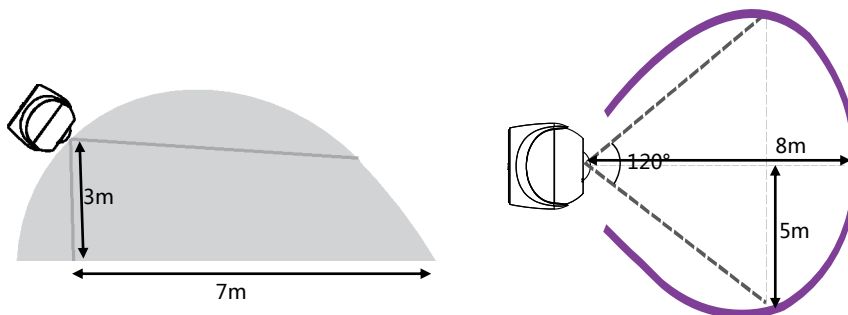
After the battery installation, the led indicator will turn green, then the sensor will enter the setup mode automatically.

In setup mode, keep pressing the programming button for 3s, the led indicator will turn red, and the device address can be read and modified. Keep pressing the programming button for 3s again or run without operation for 2 minutes, the device will exit the address setting mode.

In setup mode, press the programming button for one time, the green led will flash, after 20s, the led indicator will turn off and the device will enter the working mode.

In setup mode, press the programming button for 3 times continuously, the green led will flash quickly, and press the programming button of mesh gateway for 3 times continuously, the gateway will enter the setup mode also. Then they will connect together automatically.

## Detection Range



## Safety Precautions



- Do not let the module come into contact with hazardous liquids or corrosive gases.
- Ensure good environment.

## Package Contents

- Sensor\*1/Battery\*1/Double faced adhesive tape\*1/Screw\*1/PE plastic expansion tube\*1/Datasheet\*1

