

## Parameters

Electrical Parameters:	
Buspro power supply	DC12-30V
Buspro power consumption	10mA/DC24V
Environmental Conditions:	
Working temperature	-5°C~45°C
Working relative humidity	Up to 90%
Storage temperature	-20°C~+60°C
Storage relative humidity	Up to 93%
Approved	
CE	
RoHS	
Product Information:	
Dimensions	45×45×16(mm)
Weight	45(g)
Housing material	ABS
Installation	Screw fix installation
IP Protection	IP20

## Important Notes

- Buspro cable — HDL Buspro/KNX Cable, 0.8mm single-core copper cable
- Dry contact signal cable — Recommend shielded cable, less than 50 meters
- Buspro connection — Series connection (hand by hand)
- Temper-proof — Need 1 kΩ resistor in parallel to dry contact

## HDL Buspro Definition for Cable

HDL Buspro	HDL Buspro/KNX
DC24V	Red
COM	Black
DATA-	White
DATA+	Yellow

## Overview

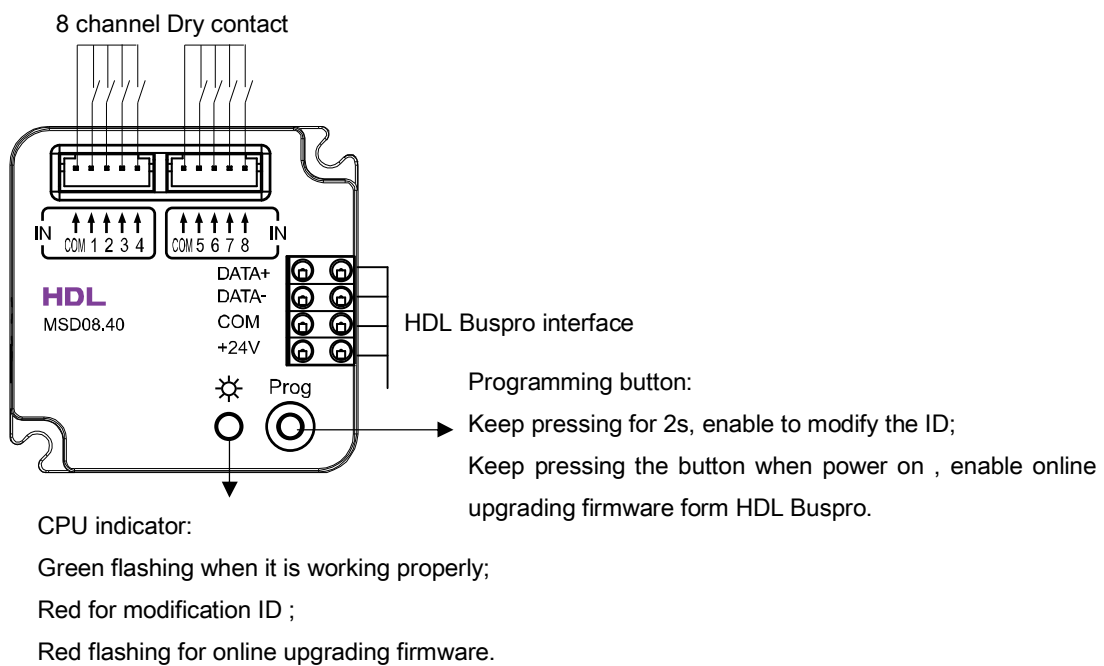
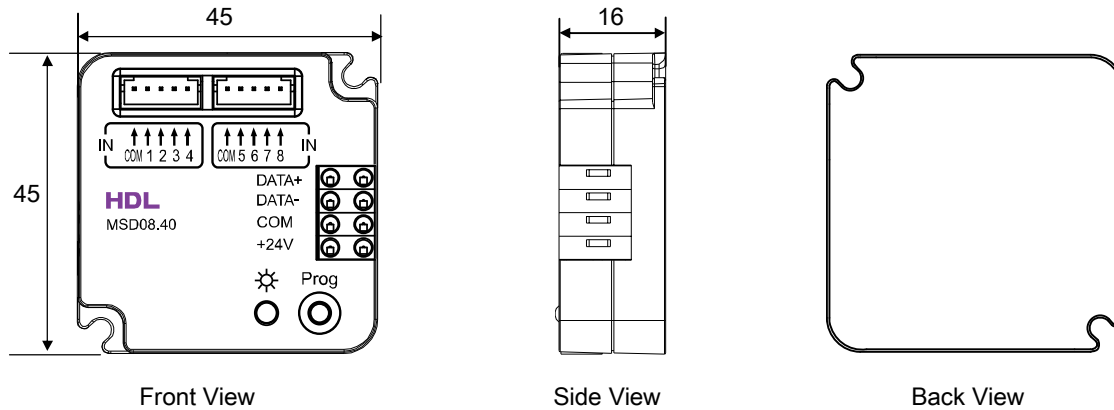


HDL-MSD08.40 8-channel dry contact input module with tamper proof function.

## Functions

- 8-channel dry contact input with tamper detection function.
- Supported switch type: Mechanical switch, Single on, Single off, Single on/off, Combination on, Combination off, Multi-function, Parallel switch.
- Supported switch mode: Switch mode, Dimmable two-way, dimmable increase, dimmable reduced.
- Control target type: Scene, Sequence, Universal Switch, Single channel lighting control, Broadcast Scene, Broadcast channel, Curtain Control, Panel Control, GPRS control, Security Module, TT player etc.
- Tamper-proof, need 1K Ohm resistor in parallel to dry contact.
- Security function, need to be used with the security module.
- Supports online upgrading by HDL Buspro.

## Dimensions and Wiring



## Safety Precautions

- The screw down strength should not exceed 0.1Nm.
- Do not make wrong connection on Buspro interface, it will damage the Buspro interface of this module.
- Do not get AC power into Buspro wire , it will damage all of devices in the system.
- Avoid contact with liquids and corrosive gases.

## Packing List

- |                                      |    |
|--------------------------------------|----|
| ■ Datasheet                          | ×1 |
| ■ Dry contact sensor ( HDL-MSD08.40) | ×1 |