



## GH6LB HYBRID LNB - Technical Specification

Input Frequency Range	Ku Band	10.70-012.75GHz
Output Frequency Range	Universal - Low Band	950-1950MHz
	Universal - High Band	1100-2150MHz
	Wideband - V & H	290-2340MHz
Local Oscillator Frequency	Universal - Low Band	9.75GHz
	Unoversal - High Band	10.6GHz
	Wideband - V & H	10.41GHz
Local Oscillator Stability	Typical @ 25°C	+/- 0.001GHz
Output VSWR		2.5:1 Max
Output type / impedance	F-Connector female	75 Ohm
Phase Noise @	1kHz @ 25°C	-60dBc/Hz
	10kHz @ 25°C	-80dBc/Hz
	100kHz @ 25°C	-90dBc/ Hz
Conversion Gain	Universal @ 25°C	55-65dB
	Wideband @ 25°C	48-60dB
Gain Flatness	Typ. over any 27MHz Band	0.75dB
Noise Figure	Universal - Typical / Max	0.50dB / 0.85dB
	Wideband - Typical / Max	0.55dB / 0.95dB
Cross Polar Isolation	Typical	20dB
Image Reiection	Typical	40dB
Current Consumption	Universal Max.	160mA
	Wideband Max.	100mA
Operating Temperature	Min-Max	-30°C- + 60°C

## Declaration of Conformity

Hereby, GeoSync declares that this LNB for satellite broadcast reception in domestic premises conforms with the Radio Equipment Directive 2014/53/EU.

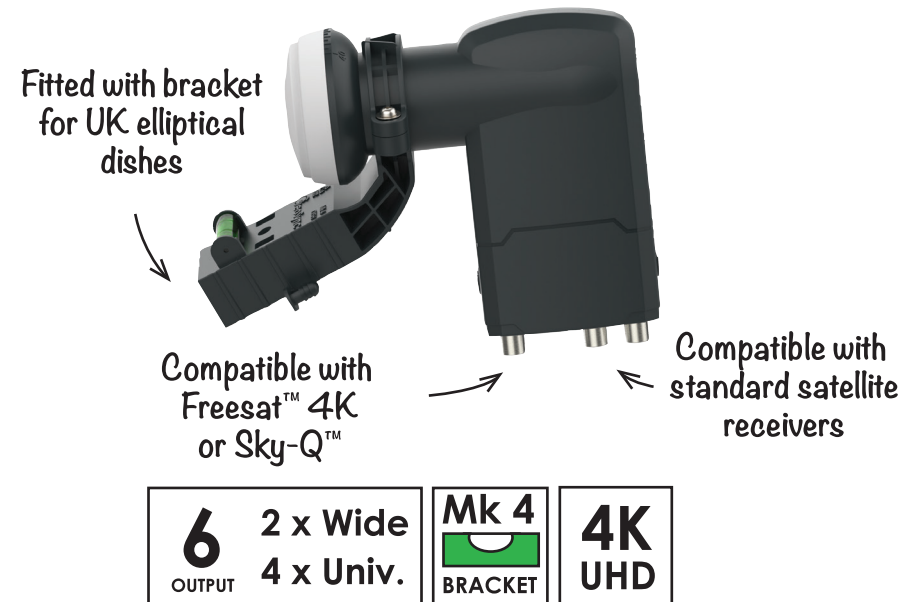
The full Declaration of Conformity is available by contacting the following internet address:  
[www.geo-sync.co.uk/210616](http://www.geo-sync.co.uk/210616)



Contact us: [info@geo-sync.co.uk](mailto:info@geo-sync.co.uk) Copyright TechSync Ltd. 2021



## GH6LB HYBRID LNB (2 Wide + 4 Univ.)



The GH6LB is a Hybrid LNB which means that it combines two different systems for delivering the signal from the satellite to your receivers. The front two outputs are Wideband specifically set-up to be compatible with Freesat™ 4K or Sky-Q™ while the four outputs at the back can feed signals from the same satellite to standard or HD receivers or PVR's.

- Allows you to run Sky-Q™ or Freesat™ 4K at the same time as up to 4 legacy receivers from the same dish
- Uses 10.41GHz Local Oscillator on Wideband for UK receivers
- Supplied fitted with bracket for popular UK elliptical satellite dishes
- Spirit level on bracket helps ensure that the dish is vertical
- Weather shield protects electrical connections

## PROFESSIONAL SIGNAL RECEPTION

## Introduction

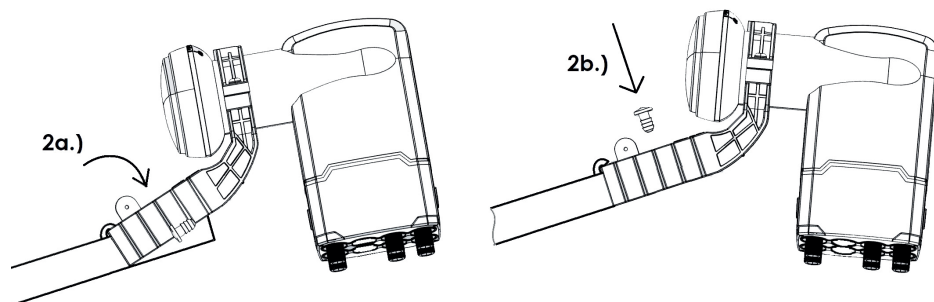
The GH6LB HYBRID LNB has been designed to allow you to provide signals to either a Sky-Q™ or Freesat™ 4K receiver whilst also delivering signals to up-to 4 other standard satellite receivers from the same dish.

The 2 outlets at the front are UK Wideband for the new services and the 4 at the back are Universal for HD services.

Fitting the LNB – as easy as 1, 2, 3

This guidance is given for the replacement of an LNB on a Mk.4 elliptical dish and assumes that the dish is correctly aligned. If you have a different type of dish, it should be supplied with a 40mm dia. LNB bracket which is compatible with GeoSync LNB's.

1. Refer to the map opposite and align the bracket on the LNB at the appropriate angle, then tighten the clamp securely.
2. Having removed the old LNB slot the bracket onto the satellite dish arm and secure it in place with the split pin.



3. Connect the front 2 Wideband outlets to the new service and the 4 Universal at the back to any standard receivers, check signal quality, then pull down the weather shield.

## Dish Alignment

If you are fitting and aligning a new dish you can find more guide maps on our website [www.geo-sync.co.uk](http://www.geo-sync.co.uk)

To help you align your LNB with either Sky™ or Freesat™ from the UK you will need to point the arrow on the bracket in the range -10 to -20 degrees indicated on the neck of the LNB

