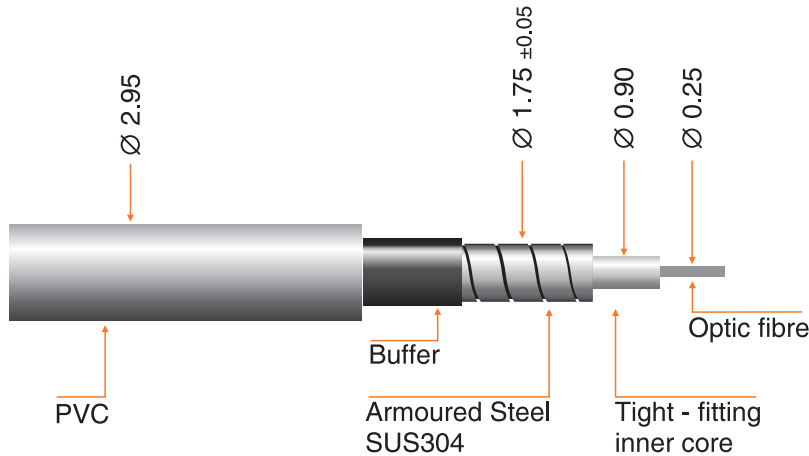


GI FibreMDU

Fibre Optic Steel Armoured Cable



global invacom
completing the picture



Product Structure

0.9 Tight-fitting Optic fibre, 1.4 Stainless Steel Elasticity Tube, Resisting Tension parts+ Jacket.

Material instruction

Optic Fibre: According to transmission needs choosing several types' cable
 Tight-fitting materials: PVC
 Elasticity steel: Japan SUS304 Steel band measure : 1.0width 0.18 thickness
 Resisting tension parts: Buffer 4 Sections 1580
 Jacket PVC: Wall thickness 0.45mm
 Unit weight: 11.4 kg/km

Mechanical Performances

Cable main mechanical test standard basis : YD/T1258.2-2003

Mechanical performance index

	Stretching		Crush		Concussion	Bend
	Short-term	Long-term	Short-term	Long-term		
Test condition	> 500N	> 250N	> 5000N	> 3000N	> 4.5Nm 5 times	15D
Inspection Index (1550nm)	≤0.03dB	≤0.01dB	≤0.03dB	≤0.01dB	Fibre Optic Do not cut	≤0.03dB

Cable circumstances performance

Storage temperature : -40°C - +80°C
 Operating temperature: -15°C - +75°C

Cable safety performance

Fire resistant jacket : UL-1666