

DS-KV6113-WPE1(B)

Video Intercom Villa Door Station

HIKVISION[®]



Key Feature

- Support Wifi (Only available in DS-KV6113-WPE1(B) model), convenient setting up and no wiring required
- Support web configuration
- Nice industry design, IP65, 2 indicator integrated
- Internal Mifare card reader, 1-ch Indoor station access control
- Noise suppression and echo cancellation
- 2MP HD Camera with IR supplement
- Standard PoE/ 12 VDC

Specification

| System parameters | |
|----------------------------|---------------------------------|
| Operation system | Embedded Linux operation system |
| Flash | 16 M, 32 M |
| RAM | 256 M |
| CPU | Embedded MCU Processor |
| Display parameters | |
| Size | / |
| Operation method | / |
| Type | / |
| Resolution | / |
| Video parameters | |
| Video compression standard | H.264 |

| | |
|------------------|--|
| Supplement light | IR supplement |
| Lens | 1 |
| FOV | Horizontal: 129° Vertical: 75° |
| WDR | True WDR |
| Pixel | Main stream: 1920 × 1080p, 720p Sub stream: 704 × 576 |

Audio parameters

| | |
|----------------------------|---|
| Audio compression standard | G.711 U |
| Audio input | Built-in omnidirectional microphone |
| Audio output | Built-in loudspeaker |
| Audio compression bitrate | 64 Kbps |
| Audio quality | Noise suppression and echo cancellation |
| Volume adjustment | Adjustable |

Capacity

| | |
|-----------------------|------|
| Fingerprint capacity | / |
| User capacity | 2000 |
| Face capacity | / |
| Linked indoor station | 1 |
| Event capacity | / |

Network parameters

| | |
|------------------------|--------------|
| Communication protocol | TCP/IP, RTSP |
|------------------------|--------------|

| | |
|-----------------------|------------------------------------|
| Wired network | 10/100 Mbps self-adaptive Ethernet |
| Wi-Fi | Support |
| Bluetooth | / |
| 3G/4G | / |
| Received frequency | 2.4 to 2.4835GHz |
| Transmitted frequency | 2.4 to 2.4835 GHz |
| Bandwidth | 20 to 40 MHz |
| Frequency power | 802.11b:16dBm +/- 1.5dBm |
| | 802.11g:15dBm +/- 1.5dBm |
| | 802.11n(ht20):14dBm +/- 1.5dBm |
| | 802.11n(ht40):12dBm +/- 1.5dBm |

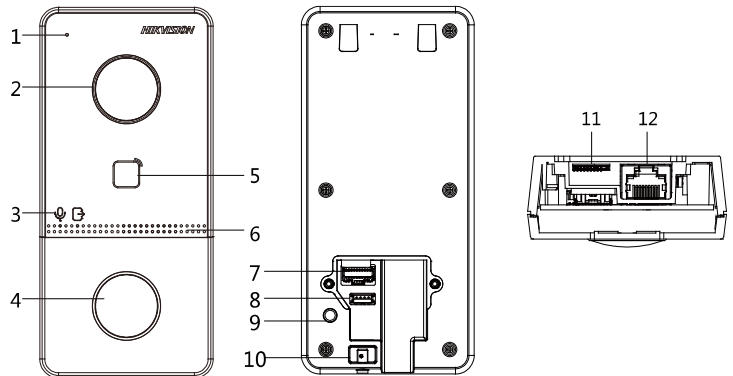
| Device interfaces | |
|--------------------|---|
| Alarm input | 4 |
| Network interface | 1 |
| TAMPER | 1 |
| RS-485 | 1 |
| Exit button | 1 |
| USB | 0 |
| Wiegand | 0 |
| TF card | 0 |
| Alarm output | 0 |
| Lock control | 1 |
| Door contact input | 1 |
| Power interface | 1 |

| General | |
|-------------------------|-------------------------------------|
| Button | 1 |
| Indicator | 2 |
| Installation | Surface mounting |
| Working temperature | -40° C to +55° C (-40° F to 131° F) |
| Working humidity | 10% to 95% |
| Indicator | 2 |
| Weight | 265 g |
| Protective level | IP65 |
| Power supply method | IEEE802.3af, standard PoE 12 VDC |
| Dimensions | 138 mm × 65 mm × 27 mm |
| Battery | / |
| Application environment | Outdoor |
| Power consumption | < 10 W |

Available Model

DS-KV6113-WPE1(B)

Appearance and Interfaces



| No. | Description | No. | Description |
|-----|-------------------|-----|-------------------|
| 1 | Microphone | 7 | Terminals |
| 2 | Camera | 8 | Debugging Port |
| 3 | Indicator | 9 | TAMPER |
| 4 | Button | 10 | Set Screw |
| 5 | Card Reading Area | 11 | TF Card Slot |
| 6 | Loudspeaker | 12 | Network Interface |

Dimension

