

## DS-D60C-B Digital Signage Box



- Supports static and dynamic materials, including applications, pictures, audio, video, PDF, streaming media, web pages, live video, third-party data, etc.
- Supports free schedule and district display of multiple materials
- Supports variable display modes, such as display by day, display by week, custom display, etc.
- Remote control and management of one or more screens, including timed startup/shutdown, timed brightness/volume and screenshot previewing
- Five-level organization for the management of materials, programs, terminals, and users
- Create custom users and allocate user permissions according to user levels
- Three-level checking of materials, programs and schedules to prevent erroneous releases
- Encryption of data storage and transmissions to prevent data tampering
- Remote control and 433 MHz wireless communication allows for control over the information distribution box in any direction

The Hikvision DS-D60C-B Digital Signage Box is a device that transmits digital, video, audio or other types of content to a monitor or digital display. It provides flexible program scheduling that allows for the display of different types of materials by custom timeframes.

The product features multilevel user permissions and organization features that allow for materials, programs, terminals and users to be managed from a centralized location.

The device also provides security features such as three-level verification of materials, programs and schedules to avoid incorrect releases, and the encryption of data storage and transmission to prevent data tampering.

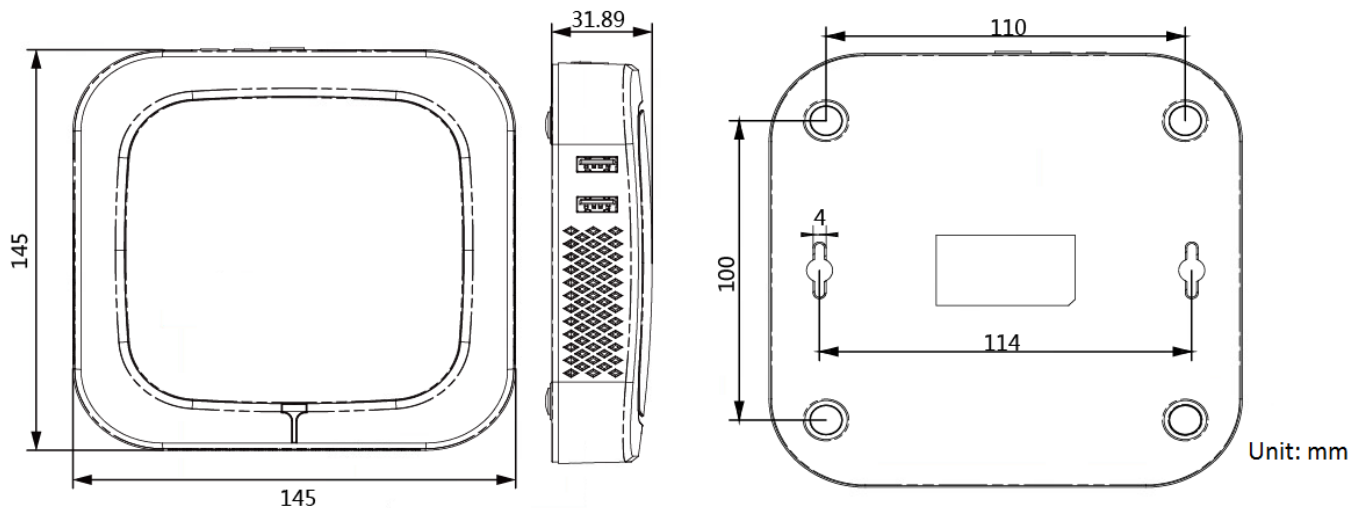
### Available Model

DS-D60C-B

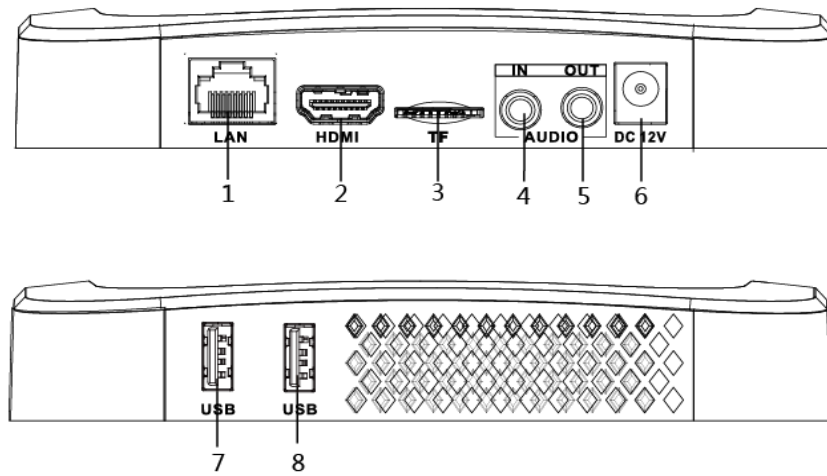
# Specifications

DS-D60C-B		
<b>Resolution</b>	1920x1080p@30Hz, 1920x1080p@50Hz, 1920x1080p@60Hz, 1280x720p@30Hz, 1280x720p@50Hz, 1280x720p@60Hz, 3840x2160p@30Hz, 3840x2160p@50Hz, 3840x2160p@50Hz (YCbCr420), 3840x2160p@60Hz, 3840x2160p@50Hz (YCbCr420)	
<b>Echo Cancellation</b>	No	
<b>Interface</b>	HDMI Out	1-ch
	Audio In	1-ch
	Audio Out	1-ch
	LAN	1
	USB	2 x USB 2.0 interface
	TF Card Slot	1
<b>Power</b>	12 VAC, 2 A	
<b>Working Consumption</b>	≤ 20 W	
<b>Standby Consumption</b>	≤ 1 W	
<b>Working Temperature</b>	32° to 122° F (0° to 50° C)	
<b>Working Humidity</b>	10 to 90%	
<b>Wired Network</b>	1000/100 M self-adaptive	
<b>Wireless Network</b>	Wi-Fi 802.11b/g/n	
<b>Bluetooth</b>	Bluetooth 4.0	
<b>Dimensions</b>	Without Package	5.7" x 5.7" x 1.3" (145 mm x 145 mm x 31.89 mm)
	With Package	7.4" x 6.9" x 4.0" (188 mm x 176 mm x 101 mm)
<b>Built-In System</b>	Chip	RK 3288
	CPU	4-core Cortex-A17
	GPU	Mali T764
	Operating Memory	2 GB
	Internal Memory	8 GB (EMMC), TF Card 32 GB
	Operating System	Android 6.0.1
<b>Accessories</b>	Power adapter, battery, remote control, CD-ROM	

# Dimensions



# Interface



No.	Description	No.	Description
1	LAN – Network Interface	5	Audio OUT – Audio Output
2	HDMI – HDMI Video Output Interface	6	DC 12V – Power Interface
3	TF – TF Card Slot	7	USB – USB 2.0 Interface
4	Audio IN – Audio Input	8	USB – USB 2.0 Interface