

2 MP Ultra Low-Light VF PoC EXIRTurret Camera



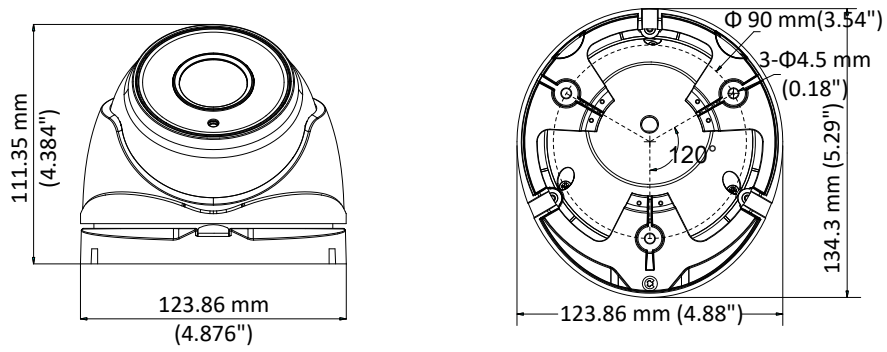
Key Features

- 2.0 megapixel high-performance CMOS
- HD analog output, up to 1080p resolution
- 2.8 mm to 12 mm motorized vari-focal lens
- True Day/Night
- 120 dB true WDR
- OSD menu, DNR, Smart IR
- EXIR2.0, up to 40 m IR distance
- IP67
- PoC.at
- Up the Coax (HIKVISIONC)

Specification

Camera	
Image Sensor	2.0 megapixel progressive scan CMOS
Signal System	PAL/NTSC
Frame Rate	PAL: 1080p@25fps NTSC: 1080p@30fps
Resolution	1920 (H) × 1080 (V)
Min. illumination	Color: 0.005 Lux @ (F1.8, AGC ON), 0 Lux with IR
Shutter Time	PAL: 1/25 s to 1/50, 000 s NTSC: 1/30 s to 1/50, 000 s
Slow Shutter	Max. 16 times
Lens	2.8 mm to 12 mm motorized vari-focal lens
Horizontal Field of View	32.1° to 103°
Lens Mount	Φ14
Day & Night	IR cut filter
Angle Adjustment	Pan: 0° to 360°, Tilt: 0° to 75°, Rotate: 0° to 360°
Synchronization	Internal synchronization
WDR (Wide Dynamic Range)	> 120 dB
Menu	
AGC	Support
Day/Night Mode	Auto/Color/BW (Black and White)
White Balance	ATW/MANUAL
Privacy Mask	ON/OFF, 4 programmable privacy masks
Motion Detection	4 programmable motion areas
Backlight Compensation	WDR/BLC/HLC/OFF
3D DNR (Digital Noise Reduction)	On
Language	English, Chinese
Functions	Brightness, Sharpness, Mirror, Smart IR
Interface	
Video Output	1 HD analog output
General	
Operating Conditions	-40 °C to 60 °C (-40 °F to 140 °F) , humidity: 90% or less (non-condensation)
Power Supply	12 VDC± 25%/ PoC.at -A: 12 VDC± 25%, 24 VDC± 25%/ PoC.at
Power Consumption	Max. 8W
Ingress Protection	IP67
Material	Metal
IR Range	Up to 40 m
Communication	Up the coax, Protocol: HIKVISIONC (TVI output)
Dimensions	134.3 mm × 123.9 mm × 111.4 mm (5.29" × 4.88" × 4.39")
Weight	Approx. 750 g (1.57 lb.)

Dimension



Accessory



Wall Mounting Bracket



Vertical Pole Mounting Bracket



Corner Mounting Bracket



Junction Box