

## DS-1619ZJ-HP

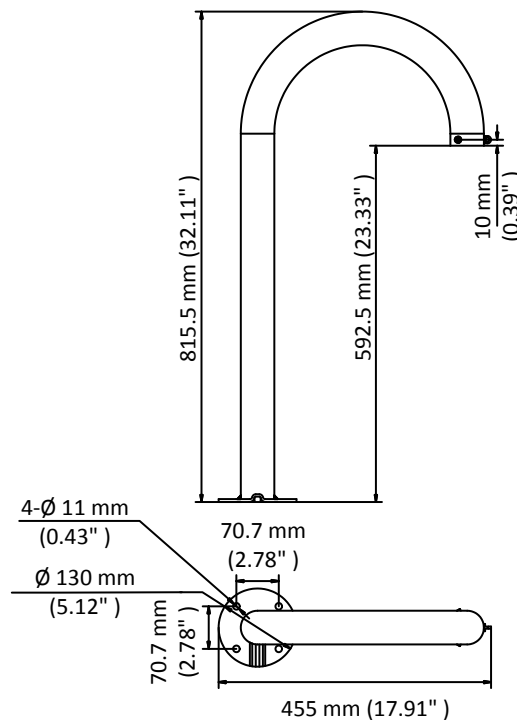
### Gooseneck Mount



#### Feature

- Steel with surface spay treatment
- Convenient installation
- Cable hole design facilitates cable routing

#### Dimension



#### Available Model

DS-1619ZJ-HP

#### Parameter

Model	DS-1619ZJ-HP
Parameters	Gooseneck Mount
Appearance	Hikvision Gray
Material	Steel
Dimension	455 mm × 130 mm × 815.5 mm (17.91" × 5.12" × 32.11")
Weight	6480 g (14.29 lb.)

#### Note

- Waterproof rubber is necessary for the outdoor application.
- The wall should be capable of supporting at least 3 times as much as the total weight of the camera, and the mount.
- The mount's maximum load capacity is 20 kg (44 lb.).