



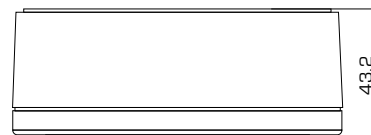
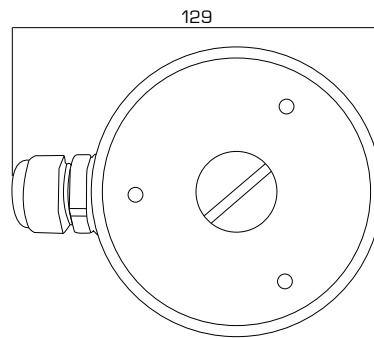
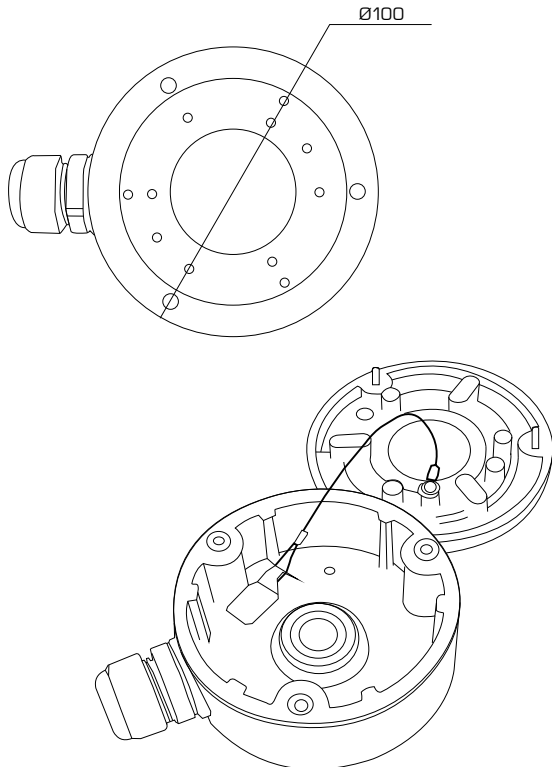
FEATURES:

- Aluminum alloy material with surface spray treatment
- Waterproof design
- Cable hole on bracket makes the feature better

SPEC	
Parameters	Junction box
Colour	Hik Grey
Feature	Suitable for DS-2CE56D7T-ITM/G & DS-2CE16D7T-IT3/G
Material	Aluminum Alloy
Dimension	Ø100 x 43.2 x 129mm
Weight	320g

INFORMATION:

- The bracket should be installed on a flat wall
- The wall must be capable of supporting over 3 times as much as the total weight of the camera and the mount
- The maximum load capacity of the bracket is 4.5kg
- Waterproof ribber is necessary for outdoor application



unit: mm