

DS-1105KI Network Keyboard

Hikvision DS-1105KI network keyboard adopts 7" touchscreen and 4D joystick. It supports accessing Hikvision DVR, DVS, NVR, decoder, MVC, network camera, network speed dome, HikCentral and KPS platforms via network. It can be applied to industries like financial, education, communication, public security industries.



Available Model

DS-1105KI

Key Feature

Video Wall Operation

- Divide video wall into regions to manage video wall by region
- open/close window, move window, resize window, divide window, and enlarge/narrow sub-window.
- Group and macro

Live View

- Preview camera live image on network keyboard touchscreen
- Quickly switch to the previous/next camera
- Optical and mechanical keyboard switches provide comfortable feelings and stable performance
- Up to 4-ch live view

PTZ Control

- Control speed dome movement via joystick

Playback

- Play the decoder videos on video wall
- Play the video recorder videos on network keyboard touchscreen. Supports clipping and capturing during playback

Integration

- Add devices via SDK or ONVIF protocol
- HikCentral and KPS platforms access

Capability

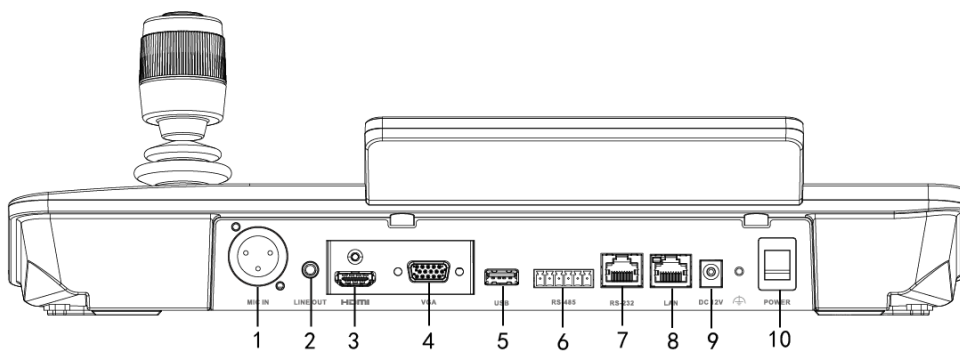
- Support up to 32 users (1 administrator and 31 operators) and 4,000 devices
- Add/modify/delete cameras in batch
- Import/export configuration file



Specification

Model		DS-1105KI
Local Decoding	Format	H.264, H.265, MPEG4
	Performance	4@1080p
	Screen division	Single screen
Input/output	Display	7" TFT LCD at 1024 × 600 resolution
	Joystick	4D joystick
	Audio	1-ch MIC IN, supports 48 VDC phantom power supply; 1-ch LINE OUT, 3.5 mm stereo plug, supports two-way audio
	Video	1 × HDMI Interface; 1 × VGA Interface
	USB	1 × USB 2.0 interface
	Serial port	1 × RS-232, 1 × RS-485
	Network	1 × 100M/1000M self-adaptive network interface
General	System	Linux
	Dimensions (L × W × H)	435 × 193 × 110 mm (17.1" × 7.6" × 4.3")
	Weight	2 KG (4.4 lb)
	Working temperature	-10 °C to +55 °C (14 °F to 131 °F)
	Working humidity	10% to 90%
	Power supply	12 VDC
	Consumption	≤ 15 W

Physical Interface



No.	Description	No.	Description
1	Microphone Input	2	Audio Output
3	HDMI Interface	4	VGA Interface
5	USB Interface	6	RS-485 Interface
7	RS-232 Interface	8	Network Interface
9	12 VDC Power Supply	10	Power Switch

Typical Application

