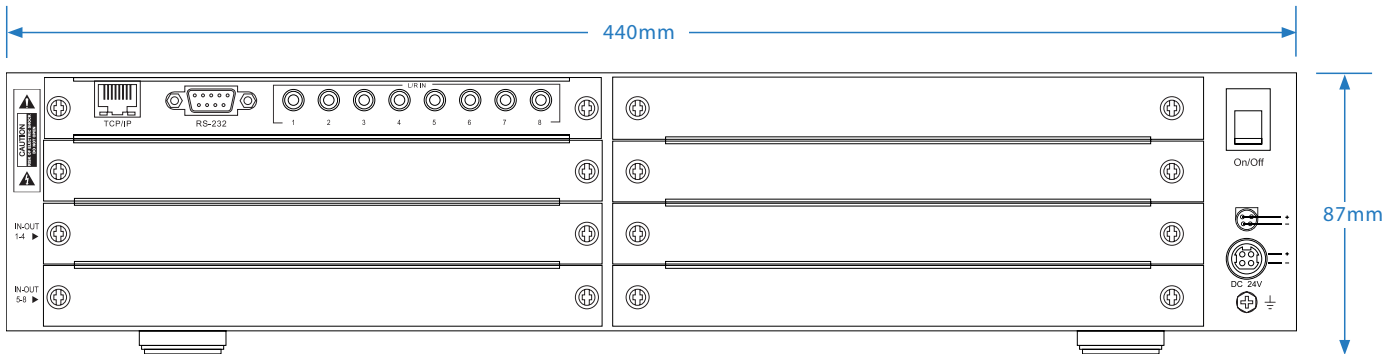


Custom Pro 8x8 Chassis

Description

The Custom Pro Matrix achieves new levels of both performance and flexibility. AV installers can now easily specify their desired I/O structure and choose the additional control features required for a specific project. The Custom Pro Matrix has been specifically designed to operate in challenging AV environments. Its robust housing and interlocking board configuration make both installation and maintenance a seamless experience. Advanced optional features include audio breakout, simultaneous HDBaseT™ / HDMI outputs, 2-way routed IR and RS-232 pass through. A web browser interface module and App for control and configuration of the matrix is included as standard as well as analogue audio embedding per zone.



Key Features

- Custom Pro Matrix Hub with 8 x modular bays for population of control & input / output boards
- Up to 8 x video inputs and 8 x video outputs can be achieved using Custom Pro boards
- 8 x analogue L/R audio inputs which can be embedded onto corresponding HDMI / HDBaseT™ zone outputs
- Control of Matrix via front panel, IR, RS-232, TCP/IP and web GUI / App
- Supports PoH (Power over HDBaseT™) when used with compatible HDBaseT™ input / output cards
- Web interface module for control and configuration of Matrix
- 3rd Party drivers available for major control brands
- Advanced EDID management
- HDCP 2.2 compliant



Connectivity

- Audio Input Connectors: 8 x 3.5mm stereo jack (L/R)
- RS-232 serial ports: 1 x 9-pin RS-232 connector
- TCP/IP Control: 1 x RJ45, female
- 2 x Video input card slots
- 2 x Video output card slots
- 1 x RS-232 control card slot
- 1 x Audio breakout card slot
- 1 x IR control card slot

Specifications

- Shipping Weight: 5kg
- Operating Temperature: 32°F to 104°F (0°C to 40°C)
- Storage Temperature: -4°F to 140°F (-20°C to 60°C)
- Dimensions (W x H x D): 440mm x 87mm x 282mm

Included Accessories

Blanking plates	x 4
IR Accessories	Included with purchase of PRO-8IR-V2 card
IR Remote	1 x REM88
Rack Mount	19" wings
Power Supply	24V/8A DC

Control

App
RS-232
IR
TCP/IP
Front Panel

RS-232 Connectivity

Baud Rate:	57600
Data Bit:	8-Bit
Parity:	None
Stop Bit:	1-Bit
Flow Control:	None

Regulatory Compliance







4K HDMI 2.0 Input Boards



PRO-IN2HAB

Custom Pro 2 x HDMI 2.0 Input Board

Key Features

- Features 2 x HDMI 2.0 inputs which can be independently routed to video output cards
- Supports HDMI 2.0 18Gbps specification including HDR support
- Supports up to 4K UHD 60Hz 4:4:4
- Supports all known HDMI audio formats including Dolby TrueHD, Atmos and DTS-HD Master Audio transmission
- Each HDMI input includes an independent fixed level 2ch analogue audio breakout allowing connection to a local third party audio solution (supports 2ch PCM)
- Quick release card module fittings allowing simple population of input and output cards in Custom Pro Matrix Hub
- HDCP 2.2 Support

**For HDMI 2.0 18Gbps video distribution the PRO-IN2HAB must be used with a HDMI 2.0 18Gbps Custom Pro output board*

Description

The PRO-IN2HAB board features 2 x HDMI 2.0 inputs supporting 4K 60Hz 4:4:4 that can be independently routed to any HDMI / HDBaseT output board. Each HDMI input includes an independent fixed level 2ch analogue audio breakout and features quick release card module fittings allowing simple installation into the Custom Pro Matrix hub.

Specifications

- **Video Input Connectors:** 2 x HDMI Type A, 19-pin, female
- **Audio Output Connectors:** 2 x Analogue Left/Right audio (3.5mm stereo jack)
- **Dimensions Including Connections (W x H x D):** 190mm x 22mm x 188mm
- **Shipping Weight:** 0.5kg
- **Operating Temperature:** 32°F to 104°F (0°C to 40°C)
- **Storage Temperature :** -4°F to 140°F (-20°C to 60°C)



PRO-IN4HAB

Custom Pro 4 x HDMI 2.0 Input Board

Key Features

- Features 4 x HDMI 2.0 inputs which can be independently routed to video output cards
- Supports HDMI 2.0 18Gbps specification including HDR support
- Supports up to 4K UHD 60Hz 4:4:4
- Supports all known HDMI audio formats including Dolby TrueHD, Atmos and DTS-HD Master Audio transmission
- Each HDMI input includes an independent fixed level 2ch analogue audio breakout allowing connection to a local third party audio solution (supports 2ch PCM)
- Quick release card module fittings allowing simple population of input and output cards in Custom Pro Matrix Hub
- HDCP 2.2 Support

**For HDMI 2.0 18Gbps video distribution the PRO-IN4HAB must be used with a HDMI 2.0 18Gbps Custom Pro output board*

Description

The PRO-IN4HAB board features 4 x HDMI 2.0 inputs supporting 4K 60Hz 4:4:4 that can be independently routed to any HDMI/HDBaseT™ output board. Each HDMI input includes an independent fixed level 2ch analogue audio breakout and features quick release card module fittings allowing simple installation into the Custom Pro Matrix hub.

Specifications

- **Video Input Connectors:** 4 x HDMI Type A, 19-pin, female
- **Audio Output Connectors:** 4 x Analogue Left/Right audio (3.5mm stereo jack)
- **Dimensions Including Connections (W x H x D):** 190mm x 22mm x 188mm
- **Shipping Weight:** 0.5kg
- **Operating Temperature:** 32°F to 104°F (0°C to 40°C)
- **Storage Temperature :** -4°F to 140°F (-20°C to 60°C)

Blustream cannot be held responsible for errors in typography or photography. Specifications are subject to change without notice.



PRO-IN2H2V

Custom Pro 2 x HDMI
2 x VGA Input Board

Key Features

- Features 2 x HDMI and 2 x VGA inputs which can be independently routed to video output cards
- Supports up to 4K UHD video (3840 x 2160 @30Hz 4:4:4, 4096 x 2160 @24Hz 4:4:4, and 4K @60Hz 4:2:0)
- Supports all known HDMI audio formats including Dolby TrueHD, Atmos and DTS-HD Master Audio transmission
- Quick release card module fittings allowing simple population of input and output cards in Custom Pro Matrix Hub
- HDCP 2.2 Support

Description

The PRO-IN2H2V input board offers 2 x HDMI and 2 x VGA sources that can be independently routed to any HDMI / HDBaseT output board and features quick release card module fittings allowing simple installation into the Custom Pro Matrix hub.

Specifications

- **Video Input Connectors:** 2 x HDMI Type A, 19-pin, female, 2 x VGA
- **Dimensions Including Connections (W x H x D):** 190mm x 22mm x 188mm
- **Shipping Weight:** 0.5kg
- **Operating Temperature:** 32°F to 104°F (0°C to 40°C)
- **Storage Temperature :** -4°F to 140°F (-20°C to 60°C)

4K HDR HDBaseT™ Output Boards



PRO-OUT4HTCS

Custom Pro 4 x HDMI /
HDBaseT™ CSC Output Board

Key Features

- Advanced HDBaseT™ technology offering distribution of video and audio over a single CAT cable
- Features 4x simultaneous HDMI / HDBaseT™ outputs for connection to HDMI displays and HDBaseT™ receivers
- Advanced Colour Space Conversion (CSC) supports HDMI 2.0 18Gbps specification including HDR support
- Supports 4K 60Hz 4:4:4 UHD video up to 70m*
- Independent down-scaling of video input resolutions up to 4K 60Hz 4:4:4 to the following formats:
 - 1080p 60Hz (for screens that do not support 4K)
 - 4K 60Hz 4:2:0 (for screens that do not support full 4K 60Hz 4:4:4)
- Extends HDMI 1080p video up to 100m
- Supports all known HDMI audio formats including Dolby TrueHD, Atmos and DTS-HD Master Audio transmission
- Supports PoH (PoE) to power Blustream HDBaseT™ Receivers
- Quick release card module fittings allowing simple population of input and output cards in Custom Pro Matrix Hub
- HDCP 2.2 Support
- To be used with the HEX100CS-RX receivers

**For HDMI 2.0 18Gbps video distribution the PRO-OUT4HTCS must be used with a HDMI 2.0 18Gbps Custom Pro input board*

Compatible Receivers

HEX70CS-RX

HEX100CS-RX

Description

The PRO-OUT4HTCS output board offers 4x dual HDBaseT™ outputs for connection to a HDBaseT™ receiver and HDMI display per zone.

The PRO-OUT4HTCS utilises CSC technology allowing support of HDMI 2.0 4K 60Hz 4:4:4 (18Gbps) HDCP 2.2 signal distribution up to lengths of 100m (4K to 70m).

The PRO-OUT4HTCS features independent down-scaling of 4K video inputs on the CSC HDBaseT™ outputs to allow displays only capable of supporting lower video resolutions to receive 4K video while still showing maximum original 4K UHD resolution on the higher-definition displays.

The PRO-OUT4HTCS also features quick release card module fittings allowing simple installation into the Custom Pro Matrix hub.

Specifications

- **Video Output Connectors:** 4 x HDMI Type A, 19-pin, female
- **Audio Output Connectors:** 4 x Analogue Left / Right audio (3.5mm stereo jack)
- **Dimensions Including Connections (W x H x D):** 190mm x 22mm x 188mm
- **Shipping Weight:** 0.5kg
- **Operating Temperature:** 32°F to 104°F (0°C to 40°C)
- **Storage Temperature :** -4°F to 140°F (-20°C to 60°C)



PRO-OUT4TCS

Custom Pro 4 x HDBaseT™
CSC Output Board

Key Features

- Advanced HDBaseT™ technology offering distribution of video and audio over a single CAT cable
- Features 4 x HDBaseT™ outputs for connection to compatible HDBaseT™ receivers
- Advanced Colour Space Conversion (CSC) supports HDMI 2.0 18Gbps specification including HDR support
- Supports 4K 60Hz 4:4:4 UHD video up to 70m*
- Independent down-scaling of video input resolutions up to 4K 60Hz 4:4:4 to the following formats:
 - 1080p 60Hz (for screens that do not support 4K)
 - 4K 60Hz 4:2:0 (for screens that do not support full 4K 60Hz 4:4:4)
- Extends HDMI 1080p video up to 100m
- Supports all known HDMI audio formats including Dolby TrueHD, Atmos and DTS-HD Master Audio transmission
- Supports PoH (PoE) to power Blustream HDBaseT™ Receivers
- Quick release card module fittings allowing simple population of input and output cards in Custom Pro Matrix Hub
- HDCP 2.2 Support
- To be used with the HEX100CS-RX receivers

**For HDMI 2.0 18Gbps video distribution the PRO-OUT4TCS must be used with a HDMI 2.0 18Gbps Custom Pro input board*

Compatible Receivers

HEX70CS-RX

HEX100CS-RX

Description

The PRO-OUT4TCS output board offers 4 x independent HDBaseT™ outputs utilising CSC technology allowing support of HDMI 2.0 4K 60Hz 4:4:4 (18Gbps) HDCP 2.2 signal distribution up to lengths of 100m (4K to 70m).

The PRO-OUT4TCS features independent down-scaling of 4K video inputs on the CSC HDBaseT™ outputs to allow displays only capable of supporting lower video resolutions to receive 4K video while still showing maximum original 4K UHD resolution on the higher-definition displays.

The PRO-OUT4TCS also features quick release card module fittings allowing simple installation into the Custom Pro Matrix hub.

Specifications

- **Video Output Connectors:** 4 x HDBaseT™ RJ45 connector
- **Dimensions Including Connections (W x H x D):** 202mm x 22mm x 188mm
- **Shipping Weight:** 0.5kg
- **Operating Temperature:** 32°F to 104°F (0°C to 40°C)
- **Storage Temperature :** -4°F to 140°F (-20°C to 60°C)



PRO-OUT2TCS

Custom Pro 2 x HDBaseT™
CSC Output Board

Key Features

- Advanced HDBaseT™ technology offering distribution of video and audio over a single CAT cable
- Features 2 x HDBaseT™ outputs for connection to compatible HDBaseT™ receivers
- Advanced Colour Space Conversion (CSC) supports HDMI 2.0 18Gbps specification including HDR support
- Supports 4K 60Hz 4:4:4 UHD video up to 70m*
- Independent down-scaling of video input resolutions up to 4K 60Hz 4:4:4 to the following formats:
 - 1080p 60Hz (for screens that do not support 4K)
 - 4K 60Hz 4:2:0 (for screens that do not support full 4K 60Hz 4:4:4)
- Extends HDMI 1080p video up to 100m
- Supports all known HDMI audio formats including Dolby TrueHD, Atmos and DTS-HD Master Audio transmission
- Supports PoH (PoE) to power Blustream HDBaseT™ Receivers
- Quick release card module fittings allowing simple population of input and output cards in Custom Pro Matrix Hub
- HDCP 2.2 Support
- To be used with the HEX100CS-RX receivers

**For HDMI 2.0 18Gbps video distribution the PRO-OUT2TCS must be used with a HDMI 2.0 18Gbps Custom Pro input board*

Compatible Receivers

HEX70CS-RX

HEX100CS-RX

Description

The PRO-OUT2TCS output board offers 2 x independent HDBaseT™ outputs utilising CSC technology allowing support of HDMI 2.0 4K 60Hz 4:4:4 (18Gbps) HDCP 2.2 signal distribution up to lengths of 100m (4K to 70m).

The PRO-OUT2TCS features independent down-scaling of 4K video inputs on the CSC HDBaseT™ outputs to allow displays only capable of supporting lower video resolutions to receive 4K video while still showing maximum original 4K UHD resolution on the higher-definition displays.

The PRO-OUT2TCS also features quick release card module fittings allowing simple installation into the Custom Pro Matrix hub.

Specifications

- **Video Output Connectors:** 2 x HDBaseT™ RJ45 connector
- **Dimensions Including Connections (W x H x D):** 202mm x 22mm x 188mm
- **Shipping Weight:** 0.5kg
- **Operating Temperature:** 32°F to 104°F (0°C to 40°C)
- **Storage Temperature :** -4°F to 140°F (-20°C to 60°C)



PRO-OUT4TL-V2

Custom Pro 4 x HDBase™
CSC Output Board

Key Features

- Advanced HDBase™ technology offering distribution of video and audio over a single CAT cable
- Features 4 x HDBase™ outputs for connection to compatible HDBase™ receivers
- Advanced Colour Space Conversion (CSC) supports HDMI 2.0 18Gbps specification including HDR support
- Supports 4K 60Hz 4:4:4 UHD video up to 40m*
- Independent down-scaling of video input resolutions up to 4K 60Hz 4:4:4 to the following formats:
 - 1080p 60Hz (for screens that do not support 4K)
 - 4K 60Hz 4:2:0 (for screens that do not support full 4K 60Hz 4:4:4)
- Extends HDMI 1080p video up to 70m
- Supports all known HDMI audio formats including Dolby TrueHD, Atmos and DTS-HD Master Audio transmission
- Supports PoH (PoE) to power Blustream HDBase™ Receivers
- Quick release card module fittings allowing simple population of input and output cards in Custom Pro Matrix Hub
- HDCP 2.2 Support
- To be used with the HEX70CS-RX receivers

**For HDMI 2.0 18Gbps video distribution the PRO-OUT4TL-V2 must be used with a HDMI 2.0 18Gbps Custom Pro input board*

Compatible Receivers

HEX70CS-RX

HEX100CS-RX

Description

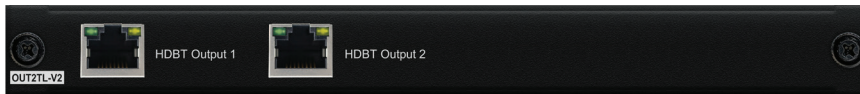
The PRO-OUT4TL-V2 output board offers 4 x independent HDBase™ outputs utilising CSC technology allowing support of HDMI 2.0 4K 60Hz 4:4:4 (18Gbps) HDCP 2.2 signal distribution up to lengths of 70m (4K to 40m).

The PRO-OUT4TL-V2 features independent down-scaling of 4K video inputs on the CSC HDBase™ outputs to allow displays only capable of supporting lower video resolutions to receive 4K video while still showing maximum original 4K UHD resolution on the higher-definition displays.

The PRO-OUT4TL-V2 also features quick release card module fittings allowing simple installation into the Custom Pro Matrix hub.

Specifications

- **Video Output Connectors:** 4 x HDBase™ RJ45 connector
- **Dimensions Including Connections (W x H x D):** 202mm x 22mm x 188mm
- **Shipping Weight:** 0.5kg
- **Operating Temperature:** 32°F to 104°F (0°C to 40°C)
- **Storage Temperature :** -4°F to 140°F (-20°C to 60°C)



PRO-OUT2TL-V2

Custom Pro 2 x HDBase™
CSC Output Board

Key Features

- Advanced HDBase™ technology offering distribution of video and audio over a single CAT cable
- Features 2 x HDBase™ outputs for connection to compatible HDBase™ receivers
- Advanced Colour Space Conversion (CSC) supports HDMI 2.0 18Gbps specification including HDR support
- Supports 4K 60Hz 4:4:4 UHD video up to 40m*
- Independent down-scaling of video input resolutions up to 4K 60Hz 4:4:4 to the following formats:
 - 1080p 60Hz (for screens that do not support 4K)
 - 4K 60Hz 4:2:0 (for screens that do not support full 4K 60Hz 4:4:4)
- Extends HDMI 1080p video up to 70m
- Supports all known HDMI audio formats including Dolby TrueHD, Atmos and DTS-HD Master Audio transmission
- Supports PoH (PoE) to power Blustream HDBase™ Receivers
- Quick release card module fittings allowing simple population of input and output cards in Custom Pro Matrix Hub
- HDCP 2.2 Support
- To be used with the HEX70CS-RX receivers

**For HDMI 2.0 18Gbps video distribution the PRO-OUT2TL-V2 must be used with a HDMI 2.0 18Gbps Custom Pro input board*

Compatible Receivers

HEX70CS-RX

HEX100CS-RX

Description

The PRO-OUT2TL-V2 output board offers 2 x independent HDBase™ outputs utilising CSC technology allowing support of HDMI 2.0 4K 60Hz 4:4:4 (18Gbps) HDCP 2.2 signal distribution up to lengths of 70m (4K to 40m).

The PRO-OUT2TL-V2 features independent down-scaling of 4K video inputs on the CSC HDBase™ outputs to allow displays only capable of supporting lower video resolutions to receive 4K video while still showing maximum original 4K UHD resolution on the higher-definition displays.

The PRO-OUT2TL-V2 also features quick release card module fittings allowing simple installation into the Custom Pro Matrix hub.

Specifications

- **Video Output Connectors:** 2 x HDBase™ RJ45 connector
- **Dimensions Including Connections (W x H x D):** 202mm x 22mm x 188mm
- **Shipping Weight:** 0.5kg
- **Operating Temperature:** 32°F to 104°F (0°C to 40°C)
- **Storage Temperature :** -4°F to 140°F (-20°C to 60°C)



PRO-OUT4TLS-V2

Custom Pro 4 x HDMI /
HDBaseT™ CSC Output Board

Key Features

- Advanced HDBaseT™ technology offering distribution of video and audio over a single CAT cable
- Features 4 x simultaneous HDMI / HDBaseT™ outputs for connection to HDMI displays and HDBaseT™ receivers
- Advanced Colour Space Conversion (CSC) supports HDMI 2.0 18Gbps specification including HDR support
- Supports 4K 60Hz 4:4:4 UHD video up to 40m*
- Independent down-scaling of video input resolutions up to 4K 60Hz 4:4:4 to the following formats:
 - 1080p 60Hz (for screens that do not support 4K)
 - 4K 60Hz 4:2:0 (for screens that do not support full 4K 60Hz 4:4:4)
- Extends HDMI 1080p video up to 70m
- Supports all known HDMI audio formats including Dolby TrueHD, Atmos and DTS-HD Master Audio transmission
- Supports PoH (PoE) to power Blustream HDBaseT™ Receivers
- Quick release card module fittings allowing simple population of input and output cards in Custom Pro Matrix Hub
- HDCP 2.2 Support
- To be used with the HEX70CS-RX receivers

**For HDMI 2.0 18Gbps video distribution the PRO-OUT4TLS-V2 must be used with a HDMI 2.0 18Gbps Custom Pro input board*

Compatible Receivers

HEX70CS-RX

HEX100CS-RX

Description

The PRO-OUT4TLS-V2 output board offers 4 x dual HDBaseT™ outputs for connection to a HDBaseT™ receiver and HDMI display per zone.

The PRO-OUT4TLS-V2 utilises CSC technology allowing support of HDMI 2.0 4K 60Hz 4:4:4 (18Gbps) HDCP 2.2 signal distribution up to lengths of 70m (4K to 40m).

The PRO-OUT4TLS-V2 features independent down-scaling of 4K video inputs on the CSC HDBaseT™ outputs to allow displays only capable of supporting lower video resolutions to receive 4K video while still showing maximum original 4K UHD resolution on the higher-definition displays.

The PRO-OUT4TLS-V2 also features quick release card module fittings allowing simple installation into the Custom Pro Matrix hub.

Specifications

- **Video Output Connectors:** 4 x HDMI Type A, 19-pin, female, 4 x HDBaseT™ RJ45 connector
- **Dimensions Including Connections (W x H x D):** 202mm x 22mm x 188mm
- **Shipping Weight:** 0.5kg
- **Operating Temperature:** 32°F to 104°F (0°C to 40°C)
- **Storage Temperature:** -4°F to 140°F (-20°C to 60°C)

4K HDMI 2.0 Output Boards



PRO-OUT4H-V2

Custom Pro 4 x HDMI 2.0
Output Board

Key Features

- Features 4 x HDMI outputs for connection to HDMI displays
- Supports HDMI 2.0 18Gbps specification including HDR
- Supports up to 4K UHD 60Hz 4:4:4*
- Supports all known HDMI audio formats including Dolby TrueHD, Atmos and DTS-HD Master Audio transmission
- Quick release card module fittings allowing simple population of input and output cards in Custom Pro Matrix Hub
- HDCP 2.2 Support

**For HDMI 2.0 18Gbps video distribution the PRO-OUT4HTCS must be used with a HDMI 2.0 18Gbps Custom Pro input board*

Description

The PRO-OUT4H-V2 supports HDMI 2.0 4K 60Hz 4:4:4 (18Gbps) with HDCP 2.2, allowing distribution of inputs to four independent displays.

The PRO-OUT4H-V2 also features quick release card module fittings allowing simple installation into the Custom Pro Matrix hub.

Specifications

- **Video Output Connectors:** 4 x HDMI Type A, 19-pin, female
- **Dimensions Including Connections (W x H x D):** 190mm x 22mm x 188mm
- **Shipping Weight:** 0.5kg
- **Operating Temperature:** 32°F to 104°F (0°C to 40°C)
- **Storage Temperature :** -4°F to 140°F (-20°C to 60°C)



PRO-OUT2H-V2

Custom Pro 2 x HDMI 2.0
Output Board

Key Features

- Features 2 x HDMI outputs for connection to HDMI displays
- Supports HDMI 2.0 18 Gbps specification including HDR
- Supports up to 4K UHD 60Hz 4:4:4*
- Supports all known HDMI audio formats including Dolby TrueHD, Atmos and DTS-HD Master Audio transmission
- Quick release card module fittings allowing simple population of input and output cards in Custom Pro Matrix Hub
- HDCP 2.2 Support

**For HDMI 2.0 18Gbps video distribution the PRO-OUT2H-V2 must be used with a HDMI 2.0 18Gbps Custom Pro input board*

Description

The PRO-OUT2H-V2 supports HDMI 2.0 4K 60Hz 4:4:4 (18Gbps) with HDCP 2.2, allowing distribution of inputs to two independent displays.

PRO-OUT2H-V2 also features quick release card module fittings allowing simple installation into the Custom Pro Matrix hub.

Specifications

- **Video Output Connectors:** 2 x HDMI Type A, 19-pin, female
- **Dimensions Including Connections (W x H x D):** 190mm x 22mm x 188mm
- **Shipping Weight:** 0.5kg
- **Operating Temperature:** 32°F to 104°F (0°C to 40°C)
- **Storage Temperature :** -4°F to 140°F (-20°C to 60°C)

Custom Pro 4K - Control Boards



PRO-8IR

Custom Pro IR Board

Key Features

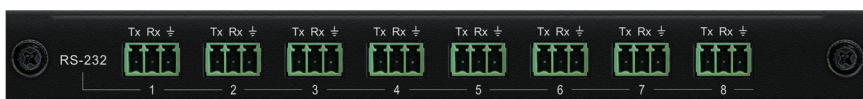
- 8 x 5V IR outputs for routed control of local source equipment
- 8 x 5V IR inputs for distribution of IR to compatible Blustream HDBaseT™ receivers
- Quick release card module fittings allowing simple population of input and output cards in Custom Pro Matrix Hub

Specifications

- IR Input ports: 9 x 5V 3.5mm stereo jack
- IR Output ports: 9 x 5V 3.5mm mono jack
- Dimensions Including Connections (W x H x D): 202mm x 22mm x 188mm
- Shipping Weight: 0.5kg
- Operating Temperature: 32°F to 104°F (0°C to 40°C)
- Storage Temperature : -4°F to 140°F (-20°C to 60°C)

Description

The PRO-8IR IR routing board offers 8 x IR outputs for routed control of local source hardware and 8 x IR inputs for distribution of IR to compatible HDBaseT™ receivers. The PRO-8IR also features quick release card module fittings allowing simple installation into the Custom Pro Matrix hub.



PRO-8RS232

Custom Pro RS232 Board

Key Features

- Features 8 x Bi-directional RS-232 ports for serial communication to corresponding Blustream HDBaseT™ zone receivers
- Quick release card module fittings allowing simple population of input and output cards in Custom Pro Matrix Hub

Specifications

- RS-232 serial ports: 8 x 3-Pin Phoenix connector
- Dimensions Including Connections (W x H x D): 190mm x 22mm x 188mm
- Shipping Weight: 0.5kg
- Operating Temperature: 32°F to 104°F (0°C to 40°C)
- Storage Temperature : -4°F to 140°F (-20°C to 60°C)

Description

The PRO-8RS232, RS-232 routing board offers 8 x bi-directional RS-232 ports for serial communication from all input and output locations when used with compatible Blustream HDBaseT™ transmitters & receivers. The PRO-8RS232 also features quick release card module fittings allowing simple installation into the Custom Pro Matrix hub.

Blustream cannot be held responsible for errors in typography or photography. Specifications are subject to change without notice.



PRO-8ABV

Custom Pro Audio Breakout Board

Key Features

- Features 8 x HDMI audio breakouts from corresponding video zone outputs to coaxial digital and analogue L/R audio outputs
- Analogue audio outputs include variable line level control (supports 2ch PCM)
- Quick release card module fittings allowing simple population of input and output cards in Custom Pro Matrix Hub

Description

The PRO-8ABV audio breakout board offers 8 x simultaneous coaxial digital and variable line-level analogue L/R audio outputs and features quick release card module fittings allowing simple installation into the Custom Pro Matrix hub.

Specifications

- **Audio Output Connectors:** 8 x RCA (SPDIF), 8 x Analogue Left / Right audio (3.5mm stereo jack)
- **Dimensions Including Connections (W x H x D):** 202mm x 22mm x 188mm
- **Shipping Weight:** 0.5kg
- **Operating Temperature:** 32°F to 104°F (0°C to 40°C)
- **Storage Temperature :** -4°F to 140°F (-20°C to 60°C)



PRO-8AB

Custom Pro Audio Breakout Board

Key Features

- Features 8 x HDMI audio breakouts from corresponding video zone outputs to coaxial digital and analogue L/R audio outputs (no DSP)
- Quick release card module fittings allowing simple population of input and output cards in Custom Pro Matrix Hub

Description

The PRO-8AB audio breakout board offers 8 x simultaneous coaxial digital and analogue L/R audio outputs and features quick release card module fittings allowing simple installation into the Custom Pro Matrix hub.

Specifications

- **Audio Output Connectors:** 8 x RCA (SPDIF), 8 x 3.5mm stereo jack (L/R)
- **Dimensions Including Connections (W x H x D):** 202mm x 22mm x 188mm
- **Shipping Weight:** 0.5kg
- **Operating Temperature:** 32°F to 104°F (0°C to 40°C)
- **Storage Temperature :** -4°F to 140°F (-20°C to 60°C)