

Datasheet

PRXOIMITY CARDS & TAGS - METAL-D - Mifare® DESFire EV2 Credential

Product description

The METAL-D Mifare DESFire EV2 4K proximity tag is part of our ATRIUM KRYPTO range of high security solutions offered by CDVI. Coded with a AES 128-bit signature it allows effortless enrolment of users at maximum security. The BCD is suitable for use with KRYPTO compatible readers to guarantee end-to-end security.

From standard proximity to long-range and smart, our cards & tags offer flexibility for the management of the users.



Key features

- Robust proximity credential
- AES128-bit encryption
- Compatible with any Mifare® DESFire EV2 card readers
- Handy and easy to carry around
- Minimum order: 10

 *Certification*

 *DEEE*

 *Certification*



Product Information

Material: Metal and polycarbonate case

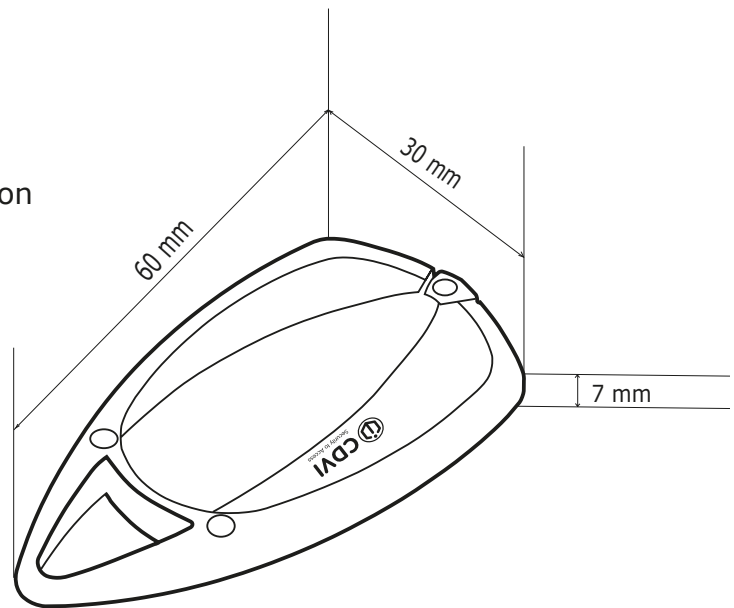
Technology: Mifare® DESFire EV2 4K

AES128-bit encryption

(when used with KRYPTO range)

Hexadecimal random number generation

(not printed)



Also available in different technology



METAL-1

Wiegand 125KHz
(Decimal Number)



METAL

Mifare® Classic 1K 13.56MHz
(Hexadecimal Number)