

Datasheet

EM301 - Triple-pole emergency door release

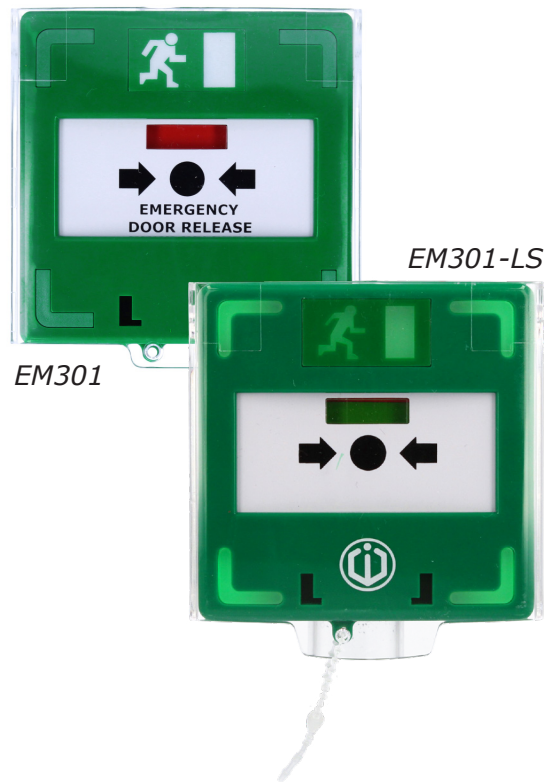
Product Description

The range of emergency door releases (EDR) from CDVI provide a physical method of releasing an electronic lock in the event of an emergency.

These are generally fitted where there is no manual method to permanently remove power from a fail safe lock allowing the door to be permanently unlocked in an emergency.

The EM301 range are both resettable. Pressing the front plate will cause the plate to drop, operating the microswitch. The plate will remain dropped until reset with the reset key.

The EM301-LS includes visual indication and sounder.



Key Features

- Triple-pole emergency door release
- Resettable & LED (EM301) and additional sounder (EM301-LS) versions
- For internal use
- Essential for fire safety and mass egress zones
- Adjustable for continuous intermittent LED/sounder



 Certification

 DEEE

RoHS Certification

 IP24

Product Specifications

| | |
|------------------|----------------------------------|
| Mounting: | Surface |
| Contacts: | 3 x NO/COM/NC |
| Outputs: | Exit device, lock, access device |
| Weight: | 0.17kg |

Electrical Specifications

Power input:

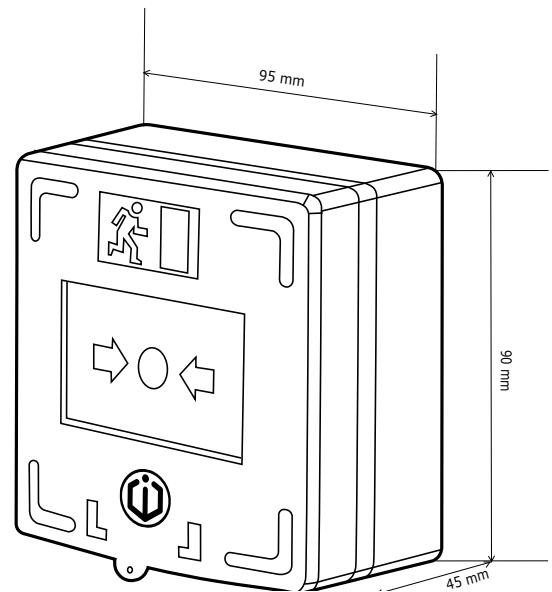
- EM301: 30Vdc
- EM301-LS: 12/24Vdc

Consumption:

- EM301-LS: Standby: 20mA
Operation: 40mA

Current:

- EM301: 2,000mA
- EM301-LS: 3,000mA



Accessories



EM301-LS-COVER

Protective cover for EM301 and EM301-LS



EM301-LS-KEY

Spare reset key for EM301-LS

Range References

| | | |
|--------------|----------|--|
| E0901D000210 | EM301 | Triple-pole resettable emergency door release with light indication |
| E0901D000296 | EM301-LS | Triple-pole resettable emergency door release with light and sounder |

