

# Catline

## TV via network cable (CAT 5/6)



- Adjustable gain
- Sloped outputs
- 4 adjustable RJ-45 outputs
- Up to 50 m cable distance
- 3 terminators included

### A unique solution for distribution of TV via copper cable (CAT5/6).

TVB-02 has a built in amplifier and adjustable levels for all 4 output ports. This is the only existing product in the marketplace where you can adjust the output level per port. This means that you separately can compensate for the different cable distances in between the amplifier and the RJ-45 outlets. The high output gain gives you up to 50 meter cable distance at 860MHz. TVB-02 can be installed direct to the wall or in 10" respective 19" panel.

### TV-cable

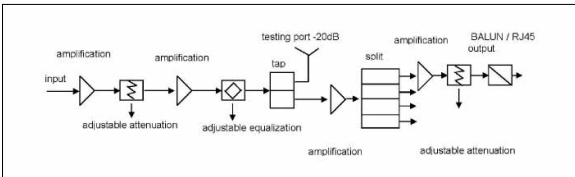
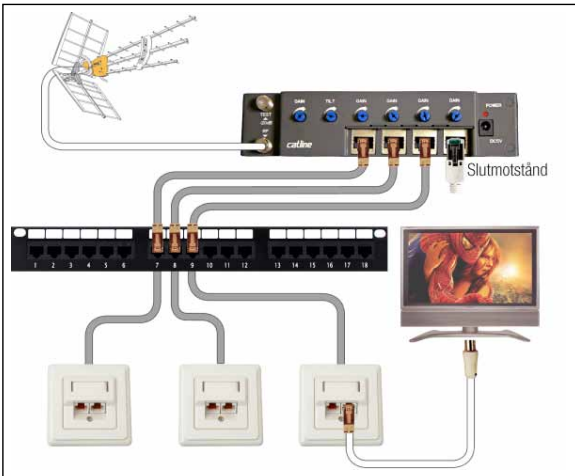
Cable with built in transformer for converting from Ethernet (RJ-45 female) to coaxial (IEC-male). To be used for distribution of analogue/digital TV via CAT-5/6 cable. TVB-01 is also perfect for distribution of IP-services over an existing coaxial cable.



Part no: 380 00 03 Catline 19"-panel for  
 1-2 TVB-02 ( included blind panel)  
 E-no: 51 777 74

Technical specifications	
Part no	- 380 00 02
E-no	- 51 777 73
Type	- TVB-02
Frequency range	MHz 47-862
Flatness	dB ±0,75
Impedance	
Input	ohm 75
Output	ohm 100
Gain 47-860MHz	dB 35 (max)
Noise	dB <8
<b>Adjustable attenuation</b>	
Input	dB 0-20
Output	dB 0-20
Adjustable slope	dB 0-18
Output level (DIN45004B)	dBµV 122
Output level 42Ch CENELEC	dBµV 107
<b>Return loss</b>	
47-862 MHz	dB >13
Isolation, port-port	dB >20
Group delay	ns <30
Testpoint	dB -20
Power	V DC 5 (via included adapter)
Power consumption	mA 800
Temperature range	°C -20 till +60
Screening	- class B
<b>Connectors</b>	
input	- F-female
outputs	- RJ-45 female
Dimensions (LxBxH)	mm 200 x 41 x 37 (50 with terminator)

**Coming products:**  
 Catline, HDMI via copper cable  
 Catline, 8-ports PBX-switch for telephony and door phone system  
 Catline, Gigabit router for data



Technical specification	
Part no	- 380 00 01
E-no	- 51 777 72
Type	- TVB-01
Frequency range	MHz 47-862
Loss	dB <5
Screening	- class B
<b>Connectors</b>	
Outlet	- RJ-45 male
TV	- IEC-male
Length	m 2

**19"-panel**  
 For installation of one or two amplifiers TVB-02. A blind panel is preinstalled if only one amplifier is needed.

Part no 380 00 03  
 E-no 51 777 74  
 Type 19"-panel  
 Height: 46 mm  
 Length 19" (483 mm)

**10"-panel**  
 For installation of one amplifier TVB-02 in a 10" cabinet.

Part no 380 00 04  
 E-no 51 777 75  
 Type 10"-panel  
 Height 46 mm  
 Length 10" (254 mm)

**Terminator, 100 ohm RJ-45**  
 For installation in amplifier TVB-02. All not used ports have to be terminated with a terminator.

Part no 380 00 05  
 E-no 51 777 77  
 Type terminator, 100 ohm RJ-45  
 Impedance ohm 100  
 Connector RJ-45, male



Picture of 10" panel



Picture of terminator