



B-TECH AV MOUNTS™

FEATURES
AN OPEN DESIGN
FOR GREATER
AIRFLOW

BT7886

MERSIVE SOLSTICE POD MOUNTING CRADLE

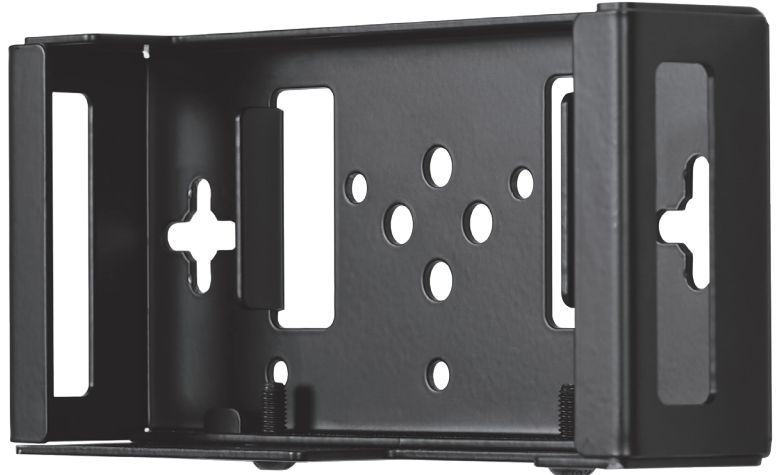
The BT7886 is a mounting cradle designed to securely mount a Mersive Solstice Pod onto a wall or desk, to a B-Tech accessory collar, or to the back of a display using any screen mount. The open design of the cradle helps to keep the Solstice Pod cool when in use and an integrated slot to add a Kensington lock (lock not included) helps prevent unauthorised removal of the device. B-Tech AV Mounts is an official Mounting Partner of Mersive Technologies.

SPECIFICATION

Designed for use with	Mersive Solstice Pod
Dimensions	W:189mm H: 43mm D: 96mm
Colour	Black

FEATURES

- Designed to securely hold a Mersive Solstice Pod
- Security screws to prevent easy removal of Pod
- Can be fixed directly to a wall, B-Tech collar or underneath a desk
- Supplied with an attachment plate for securing to flat screen mounting arms
- Compatible with Kensington Slot Locks



Can be fitted to poles using B-Tech Accessory Collars.



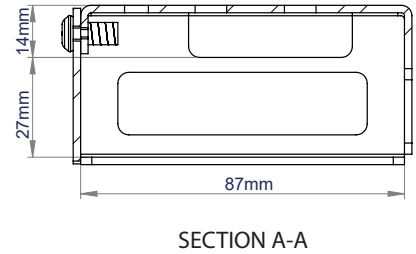
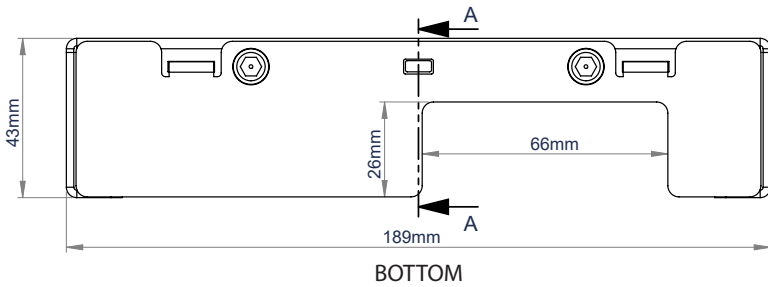
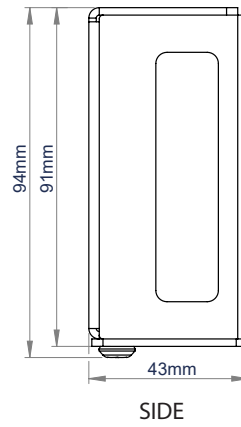
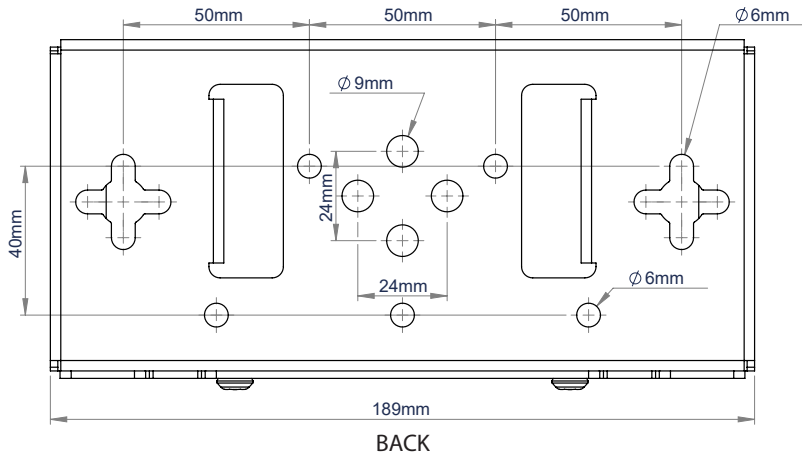
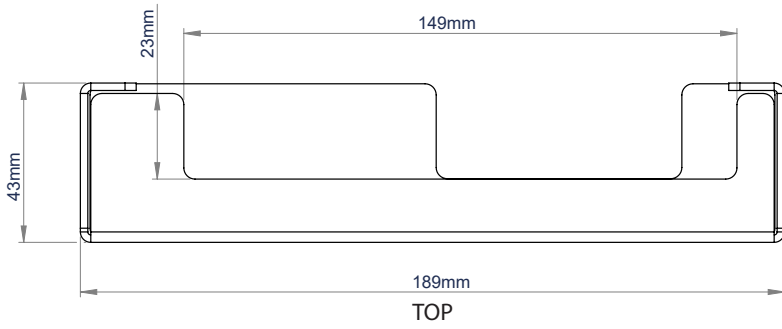
Can also be mounted directly to a wall.



Security screws to prevent easy removal of Pod device.



Compatible with Kensington Slot Locks.



PACKING INFORMATION

COLOUR:	ORDER REF:	EAN CODE:	CARTON QTY:	INNER CARTON QTY:	MASTER CARTON WEIGHT:	MASTER CARTON CUBE:
Black	BT7886/B	5019318304118	1	10	8.8kg	0.024cbm

RELATED PRODUCTS



BT7841
 Ø50mm 2-Piece Accessory Collar designed to attach a variety of different mounts and accessories onto B-Tech poles.



BT7850
 Ø50mm Poles available in Black, Chrome and white, designed for ceiling, floor or floor-to-ceiling installations



BT7883
 Wall Mount with Slide Out AV Tray designed to mount 32" to 72" screens and store AV media devices.



BT7885
 Wall Mount with Slide Out AV Tray designed to mount 32" to 72" screens and store AV media devices.

© 2019 B-Tech Professional Design & Manufacturing Limited. All rights reserved. This document is a technical drawing and does not constitute an offer of any product. It is intended for use as a reference only. B-Tech Professional Design & Manufacturing Limited is not responsible for any errors or omissions. B-Tech Professional Design & Manufacturing Limited is not responsible for any damage or loss of data resulting from the use of this document. B-Tech Professional Design & Manufacturing Limited is not responsible for any damage or loss of data resulting from the use of this document. B-Tech Professional Design & Manufacturing Limited is not responsible for any damage or loss of data resulting from the use of this document. B-Tech Professional Design & Manufacturing Limited is not responsible for any damage or loss of data resulting from the use of this document.

SS-BT7886-280121