



**EASY
 ACCESS TO AV
 ACCESSORIES**

BT7884

FLIP-DOWN AV STORAGE TRAY

The BT7884 is the ideal solution for fixing AV accessories such as power supplies, media players and video conferencing equipment to any solution that uses a BT8390 Mounting Rail - such as Mode-AL and System X stands. Equipment is easily fitted to the removable plate and simply attached onto the tray. A tool-less release lever and assisted soft open/close system allows the tray to smoothly swing between the open and closed positions, giving user access to the fitted equipment.

SPECIFICATION

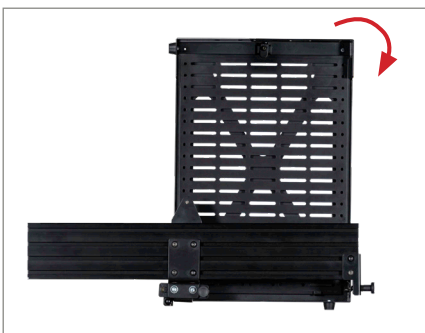
Max storage load	10kg
External dimensions	L:500 W:380 D:92mm
Max width of stored AV equipment	73mm

FEATURES

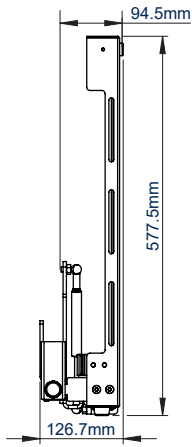
- Flip-down function allows easy access to equipment
- Connects to System X mounting rails*
- Tool-less operation of tray movement with assisted soft open / close function
- Quick release function of tray so equipment can be easily removed from tray and serviced
- All accessories can be accessed, removed or added when in open position without screen removal
- Can be mounted left or right sided in a portrait or landscape orientation
- Shallow profile, all mounting hardware included



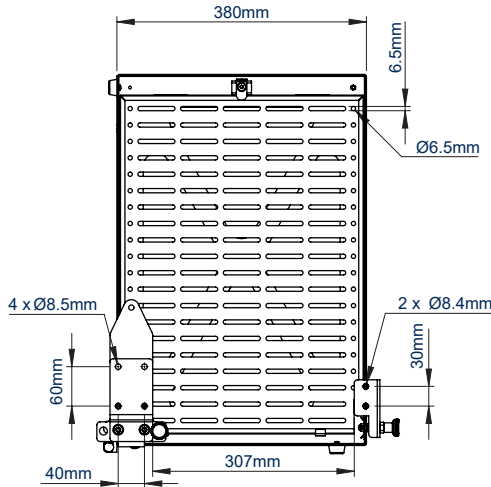
*Additional BT8390 mounting rail is required to fit the BT7884.
 Rail size is dependent on size of screen, contact B-Tech for details



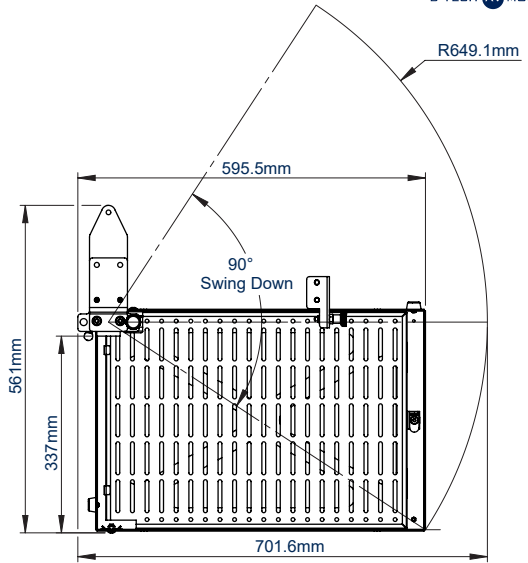
PORTRAIT CONFIGURATION



CLOSED SIDE VIEW

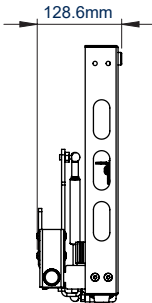


CLOSED FRONT VIEW

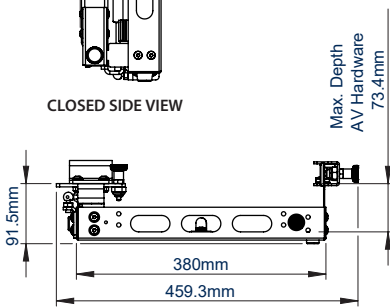


OPEN FRONT VIEW

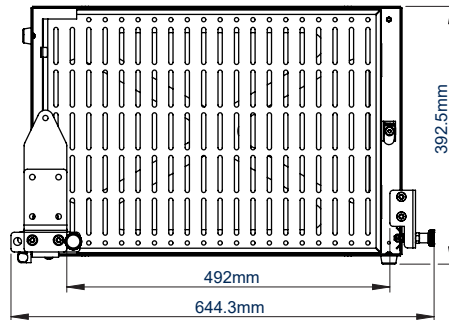
LANDSCAPE CONFIGURATION



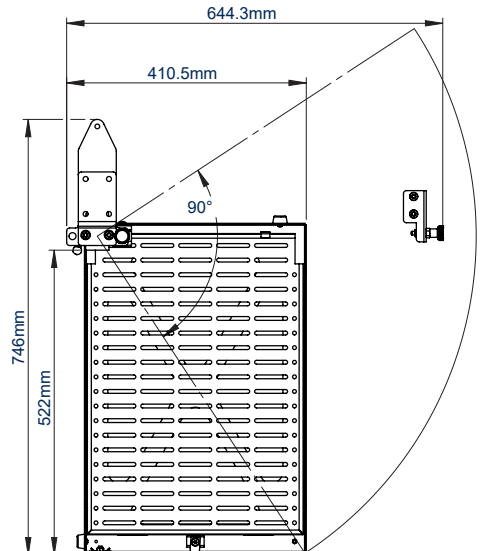
CLOSED SIDE VIEW



CLOSED BOTTOM VIEW



CLOSED FRONT VIEW



OPEN FRONT VIEW

PACKING INFORMATION

COLOUR:	ORDER REF:	EAN CODE:	MASTER CARTON QTY:	INNER CARTON QTY:	MASTER CARTON WEIGHT:	MASTER CARTON CUBE:
Black	BT7884/B	5019318302718	1	1	7.10kg	0.049cbm

RELATED PRODUCTS



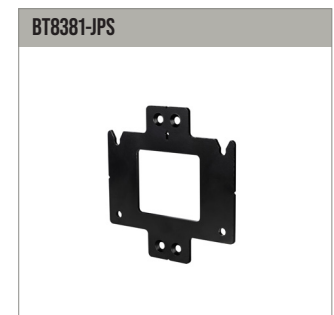
BT8390
Horizontal Mounting Rail for mounting the BT7884 onto a B-Tech stand



BT8380-JPK
Rail Joining Kit designed to mount a BT8390 horizontal rail onto a BT8380 column



BT8385-RTC
Rail-To-Column Mounting Plate designed to mount a BT8390 horizontal rail onto a Mode-AL column



BT8381-JPS
Rail Joining Kit designed to mount a BT8390 horizontal rail onto a BT8381 column

© 2016 B-Tech International. All rights reserved. The information in this document is subject to change without notice. B-Tech International, B-Tech, and B-Tech AV Mounts are registered trademarks of B-Tech International. Design & Manufacturing Limited. B-Tech, B-Tech International, B-Tech AV Mounts, and B-Tech AV Mounts are registered trademarks of B-Tech International. All other trademarks are the property of their respective owners. B-Tech International is not responsible for any damage caused by improper use, installation, or modification of any part of this product. B-Tech International is not responsible for any damage caused by improper use, installation, or modification of any part of this product. B-Tech International is not responsible for any damage caused by improper use, installation, or modification of any part of this product. B-Tech International is not responsible for any damage caused by improper use, installation, or modification of any part of this product.