



OPEN DESIGN
 GIVES AIRFLOW
 AND KEEPS
 DEVICE COOL

BT7880

WALL MOUNT FOR APPLE TV® (4TH GEN)



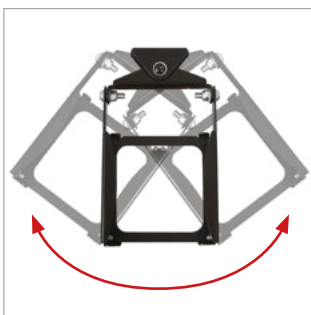
Designed specifically for wall mounting 4th Generation Apple TV® media players, the BT7880 features an open framework design which provides sufficient airflow to the device while keeping it secure; preventing unauthorised removal through the use of locking bars and "Pin Torx" security screws. The BT7880 features a large tilt and swivel range and can also be mounted onto poles and System X extrusions for more mounting flexibility. The mount is quick and easy to install and all mounting hardware is included.

SPECIFICATION

Dimensions	W: 100mm H: 40mm D: 178mm
Tilt	+/-90°
Swivel	75°
Colour	Black

FEATURES

- Specifically designed to mount 4th Generation Apple TV's
- Can be used to mount the device to walls, poles or System X™ extrusions
- Open framework design provides a greater airflow, keeping the device cool
- Locking bar and "Pin Torx" security screws keep the Apple TV secure, helping prevent unauthorised removal of the device



Features +/-90° tilt and 75° swivel



Can be used to mount the device to walls, poles or System X™ extrusions



Locking bar and "Pin Torx" security screws keep the Apple TV secure



Open framework design provides a greater airflow, keeping the device cool

