



BT7052

Ø50MM ACCESSORY COLLAR



The BT7052 Ø50mm Accessory Collar is a core component of the 'System 2' range and is designed to attach a variety of different mounts and accessories onto B-Tech poles. Finished installations look neat and tidy thanks to plastic cover plates which are included as standard.

SPECIFICATION

Compatible pole diameter	Ø50mm
Collars supplied per pack	1
Colour option	Black or Chrome

FEATURES

- Allows a wide range of mounts and accessories to be fitted to Ø50mm poles
- The Security Bolt ensures a safe installation on to Ø50mm poles
- Supplied with cover plates for a neat and tidy install (single side installs only)
- Dual fixing points allow back-to-back installations onto a single collar



Allows a wide range of mounts and accessories to be fitted to Ø50mm poles



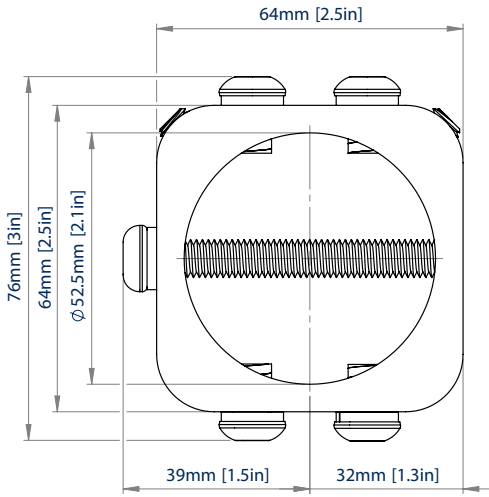
The Security Bolt ensures a safe installation on to Ø50mm poles



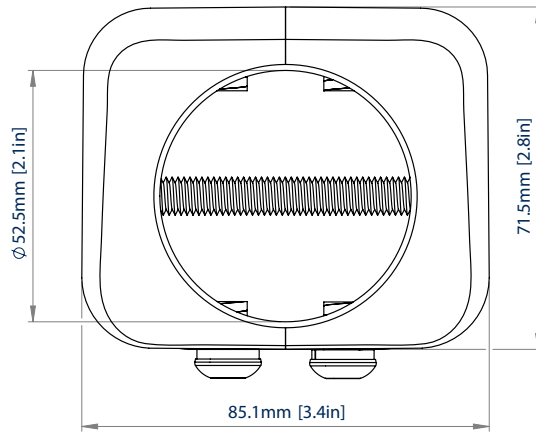
Supplied with cover plates for a neat and tidy install



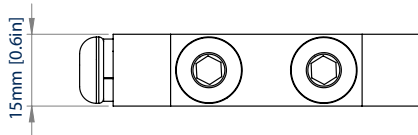
Dual fixing points allow back-to-back installations onto a single collar



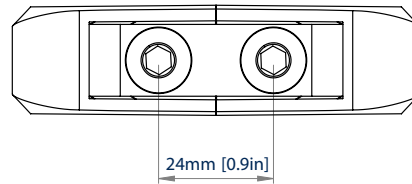
TOP VIEW - WITHOUT COVER



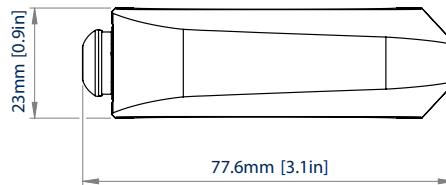
TOP VIEW - WITH COVER



FRONT VIEW - WITHOUT COVER



FRONT VIEW - WITH COVER



SIDE VIEW - WITH COVER

PACKING INFORMATION

COLOUR:	ORDER REF:	EAN CODE:	PCS (QTY):	INNER CARTONS:	MASTER CARTONS:	MASTER CARTON WEIGHT:	MASTER CARTON CUBE:
Black	BT7052/B	5019318070662	52	0	1	10.8kg	0.022cbm
Chrome	BT7052/C	5019318070679	52	0	1	10.8kg	0.022cbm

ACCESSORIES AND RELATED PRODUCTS



BT7841
Ø50mm Accessory Collar for use with 50mm poles



BT7850
Ø50mm Poles available in a variety of lengths



BT7051
Ø50mm Heavy Duty Accessory Collar allows a wide range of mounts to be fitted to 50mm poles



BT7055
Ceiling finishing ring designed to improve the look of a ceiling mounted install

© 2019 B-Tech Professional Design & Manufacturing Ltd. All rights reserved.
The information in this specification sheet reflects the current technical specifications at the time of print.
We warrant the goods to be free from material defects and to conform to the technical specifications without limitation.
B-Tech, under no liability for loss or damage caused by improper or negligent installation, use, repair or maintenance of any part of this specification. Expressly prohibited, unless prior written permission has been granted by B-Tech Professional Design & Manufacturing Ltd. (BTECH)

SS-V3-BT7052-261022