



IDEAL FOR  
POLE  
MOUNTING

# BT7017

## I-BEAM / GIRDER MOUNT FOR Ø50MM POLES

The BT7017 enables the suspension of pole mounted solutions up to 140kg from I-Beam girders. Compatible with B-Tech's range of BT7850 Ø50mm poles the locking bolt securely sets the pole vertically at any angle up to 36 degrees.

### SPECIFICATION

Max load	140kg
Tilt	up to +/-36°
Adjustable width	80mm - 250mm

### FEATURES

- Adjustable I-Beam (girder) mount for use with Ø50mm poles
- Locking bolt included to securely set the pole vertical at any angle up to 36°
- Fits I-Beams and thick steel from 80mm - 250mm in width
- Integrated cable management



For use with Ø50mm poles



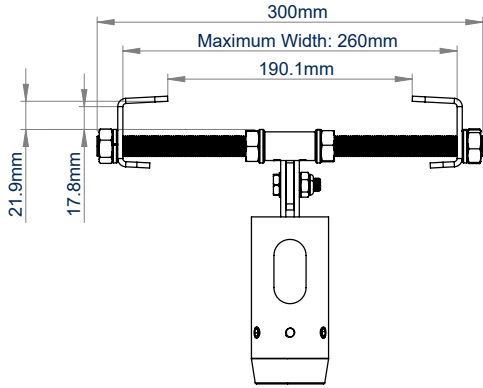
Locking bolt included to securely set the pole vertical at any angle up to 36°



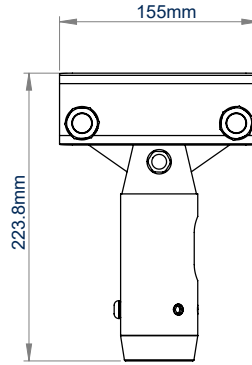
Fits I-Beams and thick steel from 80mm - 250mm in width



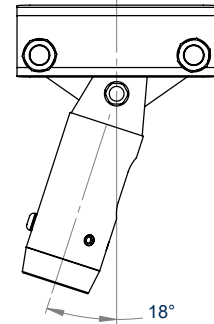
Integrated cable management



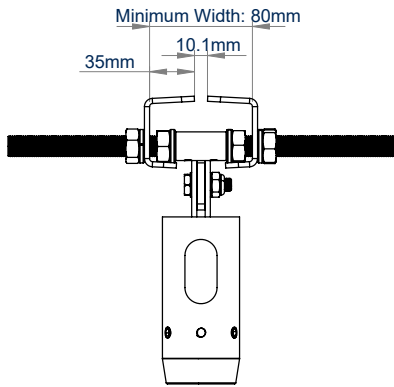
FRONT VIEW  
MAXIMUM WIDTH



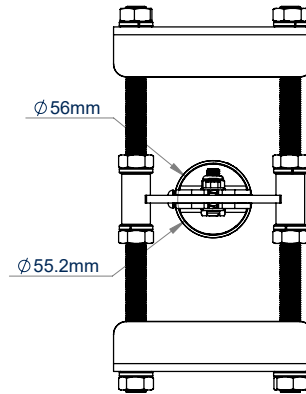
SIDE VIEW



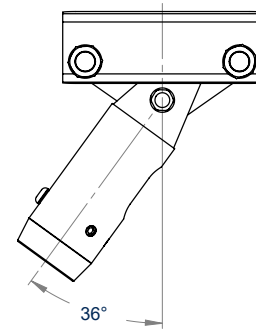
TILT ADJUSTMENT 18°



FRONT VIEW  
MINIMUM WIDTH



TOP VIEW



TILT ADJUSTMENT 36° (MAXIMUM)

PACKING INFORMATION

COLOUR:	ORDER REF:	EAN CODE:	PCS (QTY):	INNER CARTONS:	MASTER CARTONS:	MASTER CARTON WEIGHT:	MASTER CARTON CUBE:
Black	BT7017/B	5019318070181	4	0	1	13.3KG	0.035CBM

ACCESSORIES & RELATED PRODUCTS



BT7012  
Purlin Mount for use with Ø50mm pole



BT7825  
Truss Mount for use with Ø50mm pole



BT7808  
Ceiling / wall mount with tilt designed to mount a Ø50mm pole to a flat or angled ceiling



BT7850  
Ø50mm Poles available in White, Chrome or Black and in a variety of lengths from 0.5m to 3m

© 2016 B-Tech International Pty. Ltd. All rights reserved.  
The information in this specification is for reference only. It is not intended to be used as a substitute for the technical specifications of the equipment.  
We warrant the information in this specification is true and correct to the best of our knowledge and belief at the time of publication.  
B-Tech International Pty. Ltd. is not liable for loss or damage caused by improper or negligent use of the equipment. Any reproduction or modification of any part of this specification is strictly prohibited unless prior written permission has been granted by B-Tech International Pty. Ltd.

SS-BT7017-A2, 1-031019