



IDEAL FOR  
POLE  
MOUNTING

# BT7012

## PURLIN MOUNT

### FOR Ø50MM POLES

The BT7012 enables the suspension of pole mounted solutions up to 140kg from C-section and Z-section purlins, beams and girders. Compatible with B-Tech's range of BT7850 Ø50mm poles, the locking bolt securely sets the pole vertically at any angle up to 45 degrees.

#### SPECIFICATION

Max load	140kg
Tilt	up to +45°

#### FEATURES

- Adjustable purlin mount for use with Ø50mm poles
- Locking bolt included to securely set the pole vertically at any angle up to 45°
- Fits C-section and Z-section purlins with a minimum height of 95mm
- Integrated cable management
- Can also be mounted to beams and girders



Fits C-section and Z-section purlins with a minimum height of 95mm



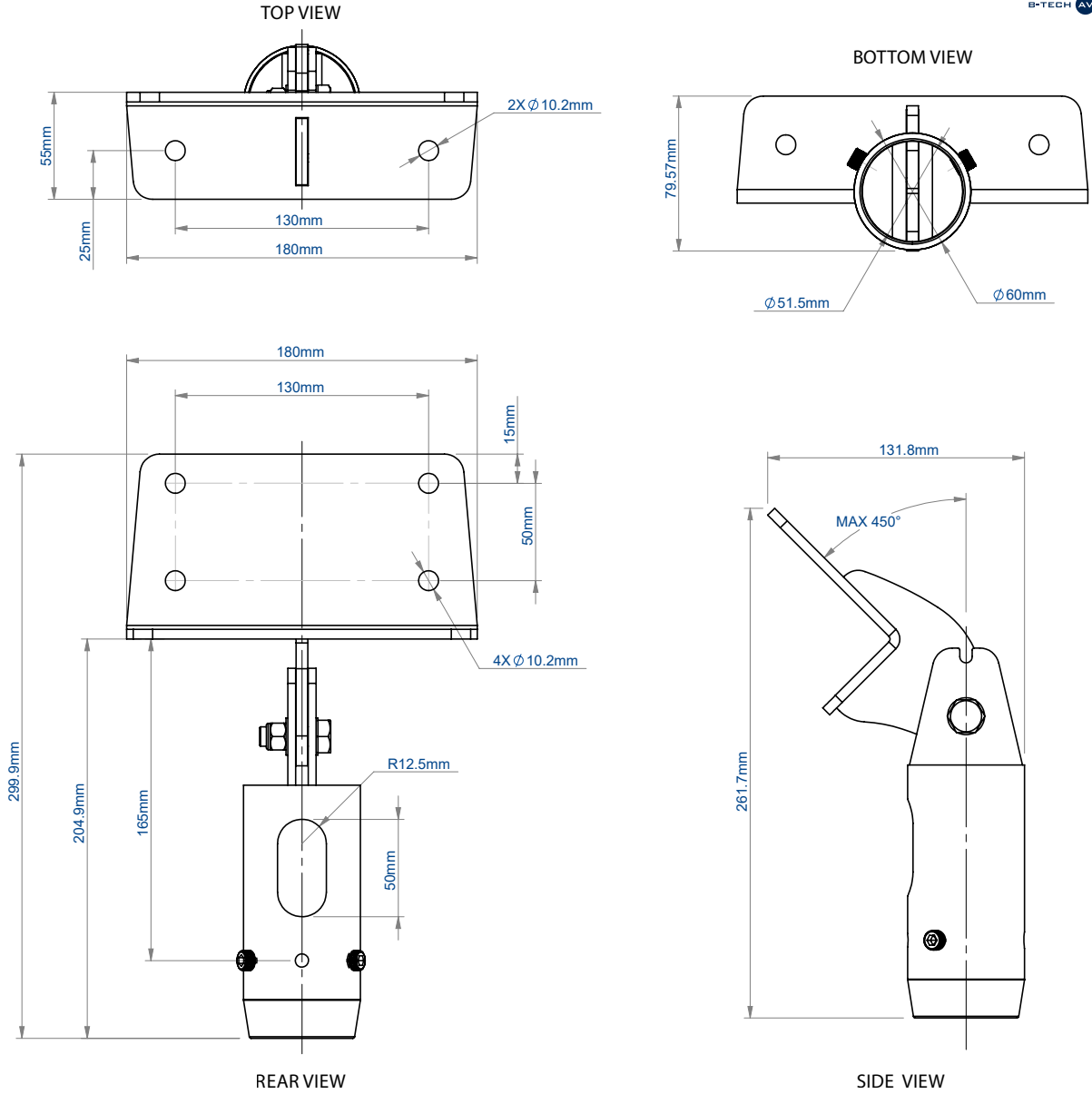
Locking bolt included to securely set the pole vertically at any angle up to 45°



Integrated cable management



Can also be mounted to beams and girders



**PACKING INFORMATION**

COLOUR:	ORDER REF:	EAN CODE:	MASTER CARTON QTY:	PRODUCT QTY:	MASTER CARTON WEIGHT:	MASTER CARTON CUBE:
Black	BT7012/B	5019318076589	1	4	12kg	0.22cbm

**ACCESSORIES & RELATED PRODUCTS**

<p><b>BT7017</b></p>	<p><b>BT7825</b></p>	<p><b>BT7808</b></p>	<p><b>BT7850</b></p>
----------------------	----------------------	----------------------	----------------------

I-Beam / girder mount for Ø50mm pole

Truss Mount for use with Ø50mm pole

Ceiling / wall mount with tilt designed to mount a Ø50mm pole to a flat or angled ceiling

Ø50mm Poles designed to combine with many B-Tech ranges

© 2016 B-Tech International Pty. Ltd. All rights reserved.  
 The information in this specification is current technical specifications at the time of print.  
 We reserve the right to change the technical or physical specifications without prior notice. B-Tech International and B-Tech Technology are registered trademarks of B-Tech International Ltd.  
 B-Tech accepts no liability for loss or damage caused by improper or negligent installation, use, or maintenance of the product. Any reproduction or transmission or publication of any part of this specification is strictly prohibited unless prior written permission has been granted by B-Tech International Ltd. (BTL).

SS-BT7012-V1.1-100919