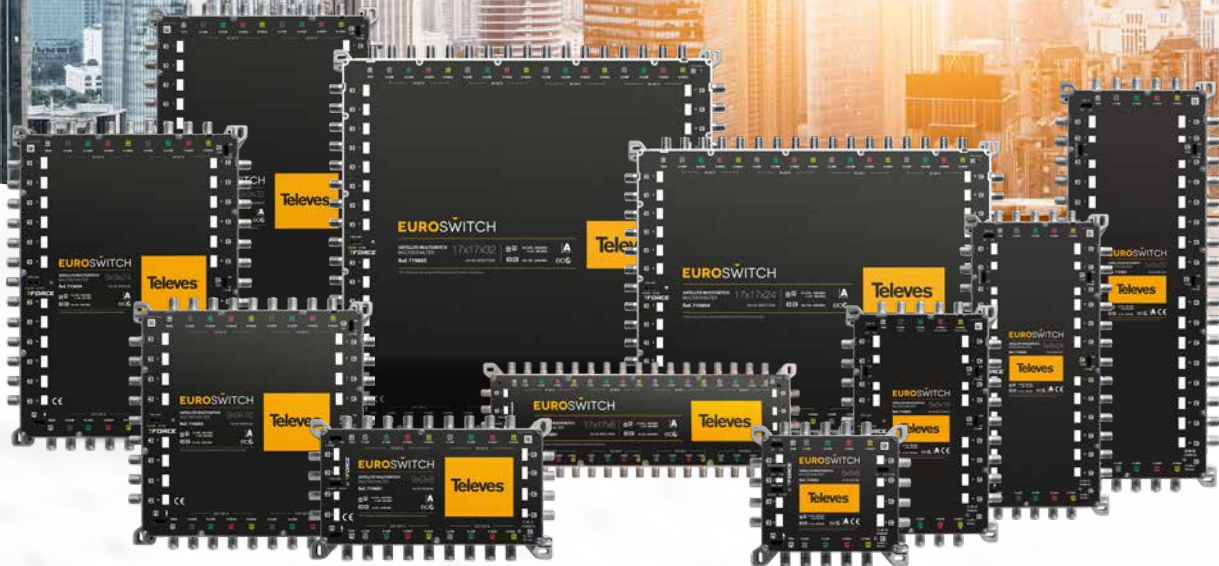


EUROSWITCH

COMPACT AND EFFECTIVE FOR LARGE INSTALLATIONS



Scalable range of multiswitches that allows signal distribution to multiple users from one (5x), two (9x) or four (17x) satellites combined with terrestrial signal.



Great compactness



Versatile topology



ECO mode



T.Force technology



100% Made in Teles

Teles

What is EuroSwitch?

Universal and flexible multiswitches series that allows the reception of up to 4 different satellites besides the terrestrial signal.

Thanks to its **great compactness** and its **optimized electronic design**, it presents very low through and tap losses, allowing to reduce the number of amplifiers needed in the installation and to obtain a better balanced signal in the users, even in large installations.



Which are the benefits?

- **Compact in dimensions and weight**, even in models with high number of users.
- **Very low through and tap losses**, avoiding to use a high number of amplifiers in large installations.
- **Versatile**: use the same product for both star or cascade topologies just by flipping a switch.
- **T.Force Technology**: the device adjusts the output level of the terrestrial signal to optimal values at any times.
- Wide **12-18V power supply range**, making it compatible with most existing installations.
- Made of zamak, which gives it **high shielding (A class)**. In addition, it presents a **great isolation** between inputs and outputs.
- **ECO mode**: the device reduces consumption as the number of connected user decreases.
- **100%** designed, developed & manufactured in **Europe** by Teledes Corporation.

REF.	DESCRIPTION	QUAD	T/C	EAN13
5 INPUTS (1 SATELLITE)				
719501	EuroSwitch 5x5x4 "F"		✓	8424450246696
719502	EuroSwitch 5x5x6 "F"		✓	8424450246702
719503	EuroSwitch 5x5x8 "F"		✓	8424450246719
719504	EuroSwitch 5x5x12 "F"		✓	8424450246726
719505	EuroSwitch 5x5x16 "F"		✓	8424450246733
719506	EuroSwitch 5x5x24 "F"		✓	8424450246740
719507	EuroSwitch 5x5x32 "F"		✓	8424450246757
719402	EuroSwitch 5x5x6 "F"	✓	✓	8424450251201
719403	EuroSwitch 5x5x8 "F"	✓	✓	8424450251218
719404	EuroSwitch 5x5x12 "F"	✓	✓	8424450251225
719405	EuroSwitch 5x5x16 "F"	✓	✓	8424450251232
714508	Amplifier 5x5 "F" MATV/IF G 10/11dB Vo 114/118dBµV			8424450181614
714509	Amplifier 5x5 "F" MATV/IF G 27/31dB Vo 114/118dBµV			8424450173398

POWER SUPPLY UNITS				
732101	Power Supply Unit 12V-0.8A			8424450173909
732210	Power Supply Unit 12V-1.5A (UK plug)			8424450175163
732802	Power Supply Unit 12.5V-2.8A			8424450182956
732001	Power Supply Unit 18V-2A			8424450188811
732010	Power Supply Unit 18V-2A (UK plug)			8424450188828

REF.	DESCRIPTION	T/C	EAN13
9 INPUTS (2 SATELLITES)			
719601	EuroSwitch 9x9x8 "F"	✓	8424450223895
719602	EuroSwitch 9x9x12 "F"	✓	8424450246023
719603	EuroSwitch 9x9x16 "F"	✓	8424450223901
719604	EuroSwitch 9x9x24 "F"	✓	8424450223918
719605	EuroSwitch 9x9x32 "F"	✓	8424450223925
719609	Amplifier 9x9 "F" MATV/IF G 27/31dB Vo 114/118dBµV		8424450223932

17 INPUTS (4 SATELLITES)			
		T/C	
719801	EuroSwitch 17x17x8 "F"	✓	8424450211571
719802	EuroSwitch 17x17x12 "F"	✓	8424450304969
719803	EuroSwitch 17x17x16 "F"	✓	8424450211533
719804	EuroSwitch 17x17x24 "F"	✓	8424450211540
719805	EuroSwitch 17x17x32 "F"	✓	8424450211557
719809	Amplifier 17x17 "F" MATV/IF G 27/31dB Vo 114/118dBµV		8424450211564

T/C: Terminal/Cascade QUAD: QUAD Compatible

The several switches integrated in these devices give them great control and flexibility to adapt them to any type of installation!



- 1 TERR. DC SWITCH (ON/OFF) ***

It isolates or connects the power available from the cascade (only terrestrial leg). It can be useful to line power a masthead amplifier or a BOSS antenna, but it can be also be use to line power the terrestrial side of other MSWs in the cascade.
- 2 RECEIVER POWER SWITCH (ON/OFF) ***

It controls the DC pass from the user outputs towards the multiswitch. You can power the device from the Set-Top-Box (if there is enough power available) or a power inserter.
- 3 TERR. AMP. SWITCH (ACTIVE/PASSIVE)**

EuroSwitch series includes T.Force technology, based on MMIC components and developed exclusively by Televés. T.Force offers an intelligent terrestrial level adjustment:

 - It is possible to activate it or not by means of a switch making the multiswitch ACTIVE or PASSIVE on terrestrial.
 - In active mode, the MSW automatically adjust the terrestrial output signal to the OPTIMUM LEVEL.
 - In addition, this optimum level is kept balanced IN EVERY USER OUTPUT through the cascade.
- 4 SAT GAIN SWITCH (HG/LG)**

It adjusts the attenuation level (10dB approx) of the SAT signal, independently for each 8-user group. This, in addition to reducing the differences in levels, allows reaching higher levels of the EuroSwitch input signal (up to 100dBuV).
- 5 AUTOLOAD SWITCH**

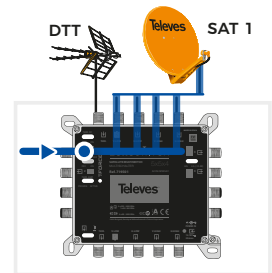
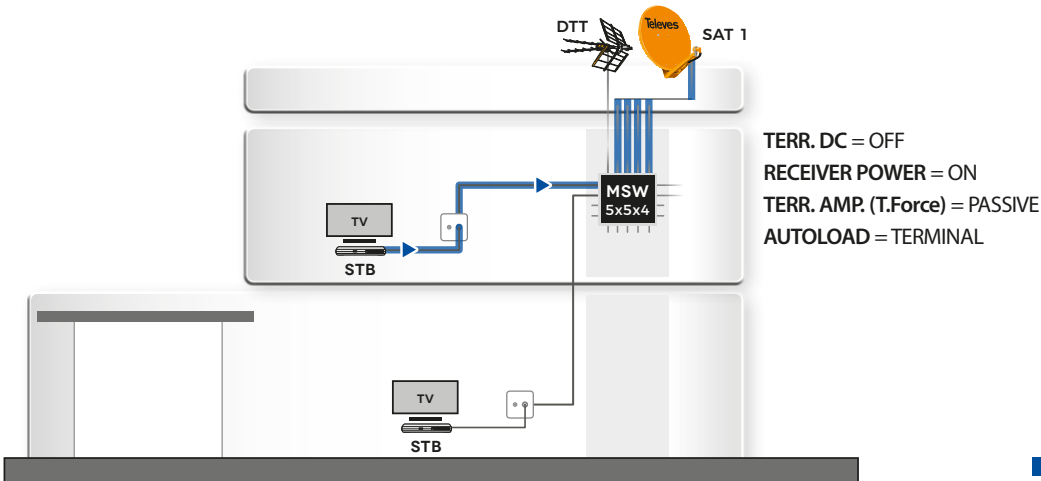
It provides versatility to the device. With the flick of the switch, installation in terminal mode (stand-alone) or cascade mode can be selected depending on the desired scenario.

* Only available in 5x Euroswitches (Refs. 71950x/71940x)

Installation into a family-house (1 satellite)

The LNB and the multiswitch are powered from the user output by the STB, turning on the "RECEIVER POWER" switch.

A PSU is not required.

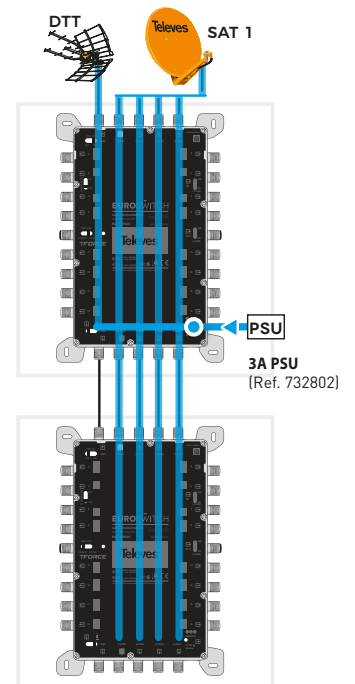
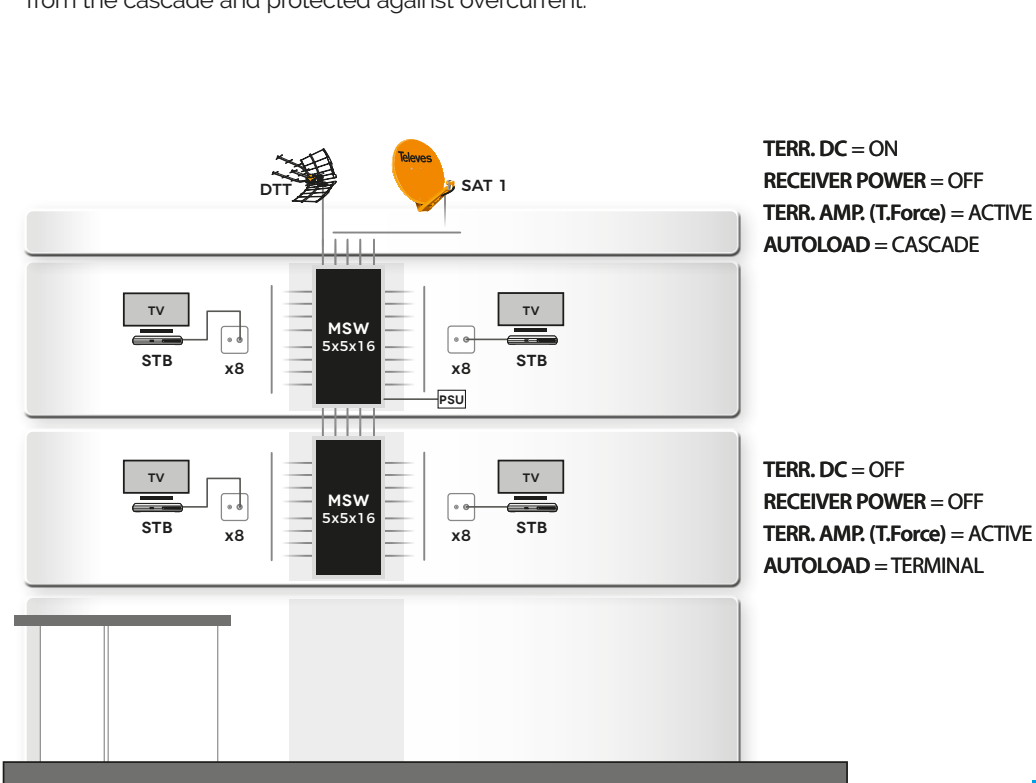


DC flow from the STB

Installation into a small multi dwelling unit (1 satellite)

The LNB, terrestrial antenna and the whole cascade of multiswitches is powered by a single 3A PSU.

Thanks to "RECEIVER POWER" switched off, STBs are DC isolated from the cascade and protected against overcurrent.

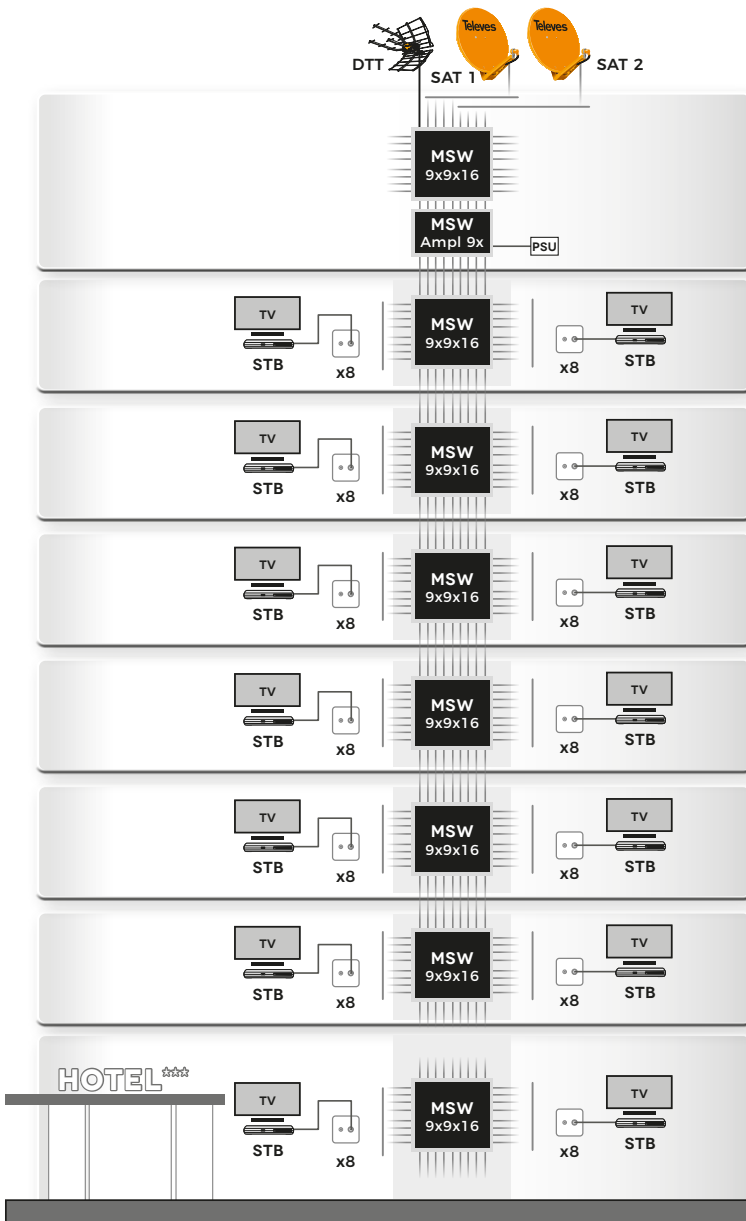


DC flow from the PSU

Installation into a medium-size hotel (2 satellites)

The LNBS, terrestrial antenna and the whole cascade is powered by a single 3A PSU.

In case of using an amplifier, this will be the recommended element to place the power supply unit.



TERR. AMP. (T.Force) = ACTIVE
AUTOLOAD = CASCADE

TERR. DC = ON

TERR. AMP. (T.Force) = ACTIVE
AUTOLOAD = CASCADE

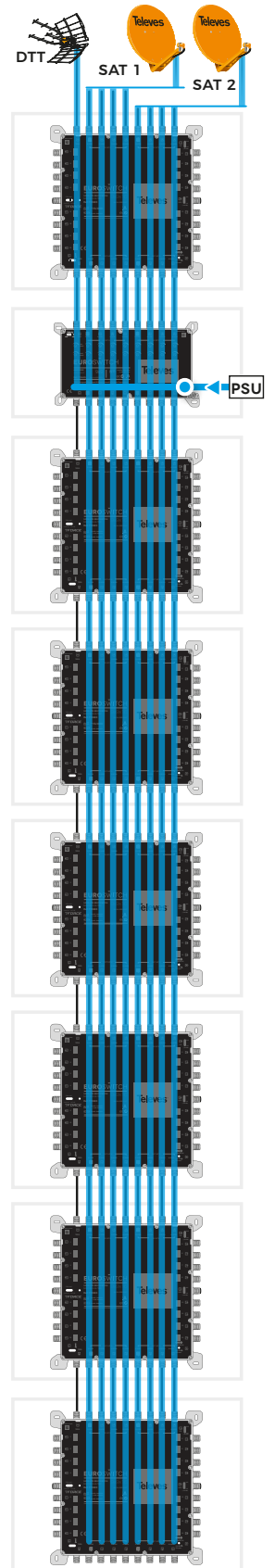
TERR. AMP. (T.Force) = ACTIVE
AUTOLOAD = CASCADE

TERR. AMP. (T.Force) = ACTIVE
AUTOLOAD = CASCADE

TERR. AMP. (T.Force) = ACTIVE
AUTOLOAD = CASCADE

TERR. AMP. (T.Force) = ACTIVE
AUTOLOAD = CASCADE

TERR. AMP. (T.Force) = ACTIVE
AUTOLOAD = TERMINAL

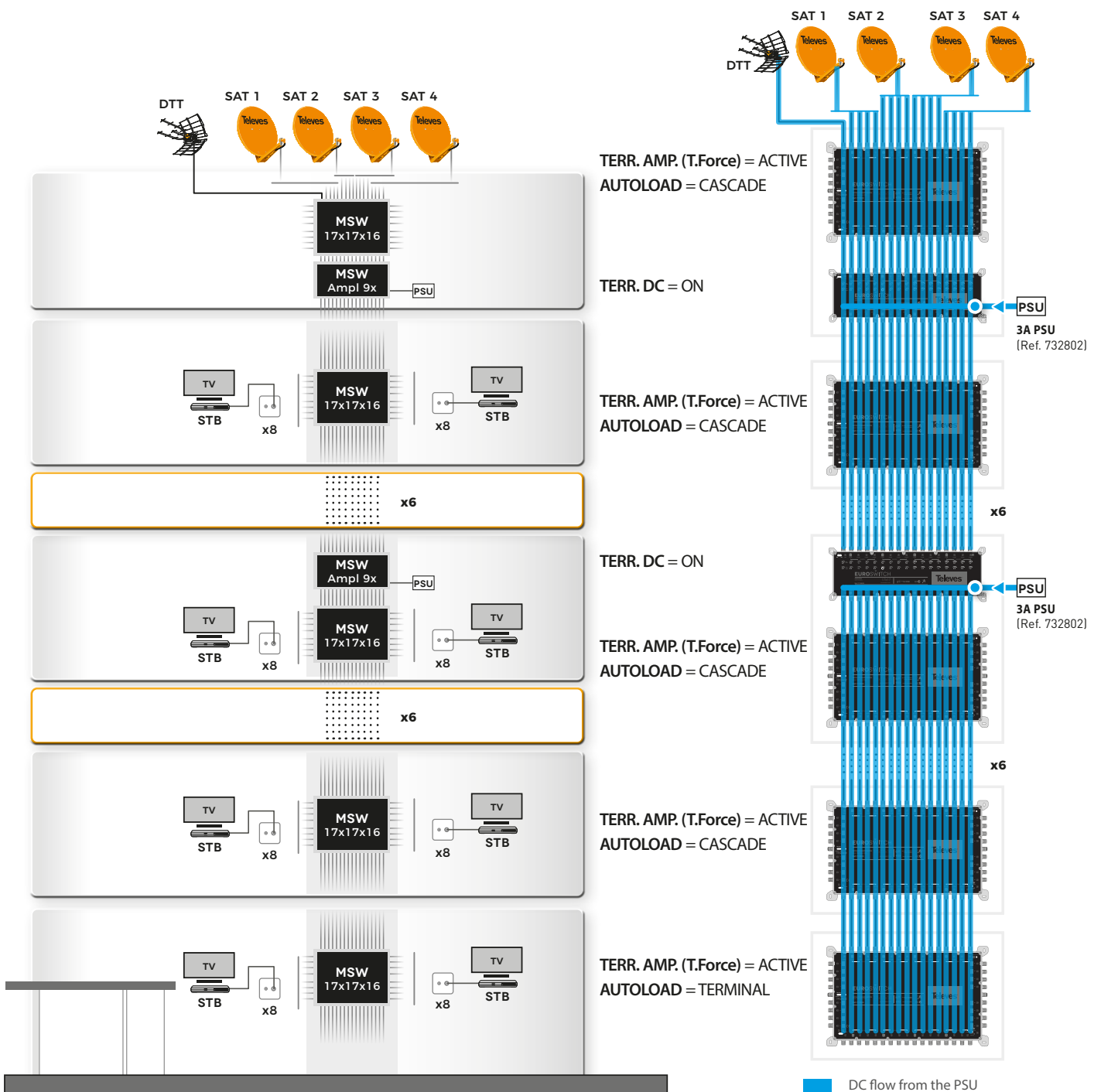


DC flow from the PSU

Installation into a large building (4 satellites)

The LNBNs, terrestrial antenna and the whole cascade is powered by various 3A PSUs. The number of PSUs in the system will be carried out as a function of the total power consumption of the installation

In case of using amplifiers, these will be the recommended elements to place the power supply units.



More information at:
en.televes.com/euroswitch

Televes®