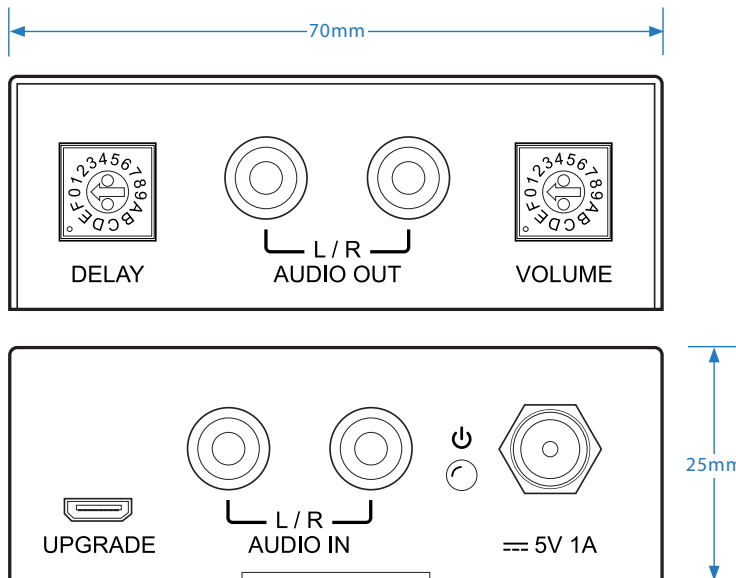


Analogue Audio Delay Processor with Volume Control

Description

Our AD11AU has been designed to help correct audio delays incurred when separating audio and video signals in an AV system. The AD11AU can add a delay of up to 1 second selectable in 15 increments and has a volume adjustment of -75dB to 0dB.



Key Features

- In-line 2ch analogue audio delay with line-level volume control
- Supports 48 KHz / 24 Bit sample rates
- Selectable audio delay from 50-1000ms
 - 0-500ms in steps of 50ms
 - 500-1000ms in step is of 100ms
- Adjustable line level volume control from -75dB to 0dB

Specifications

- **Audio Input Connectors:** 2 x RCA analogue left / right
- **Audio Output Connectors:** 2 x RCA analogue left / right
- **Audio Delay:** Rotation switch
- **Volume Control:** Rotation switch
- **Casing Dimensions (W x H x D):** 70mm x 25mm x 73mm
- **Shipping Weight:** 0.4kg
- **Operating Temperature:** 32°F to 104°F (-5°C to +55°C)
- **Storage Temperature:** -4°F to 140°F (-25°C to +70°C)
- **Power Supply:** 5V/1A DC



Included Accessories

Rack Mount	1 x Mounting Kit
Power Supply	5V/1A DC PSU

Regulatory Compliance



CAN ICES-3 (B)/NMB-3(B)

Blustream cannot be held responsible for errors in typography or photography. Specifications are subject to change without notice.