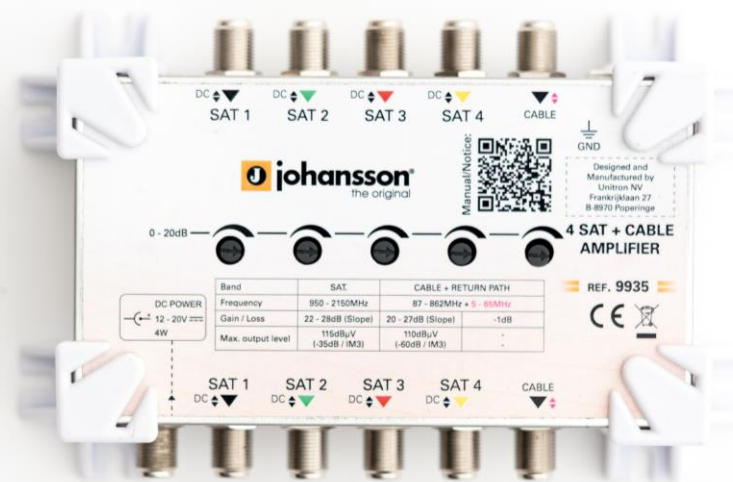


User Manual

Amplifier 4x SAT + 1x CABLE

Ref. 9935



CONTENTS

| | |
|--|----------|
| 1. INTRODUCTION | 3 |
| 1.1. Product description | 3 |
| 1.2. Package contents | 3 |
| 1.3. Hardware installation | 4 |
| 2. TECHNICAL SPECIFICATIONS | 5 |
| 3. SAFETY INSTRUCTIONS | 6 |
| 4. CONDITIONS OF WARRANTY | 7 |

No part of this manual may be copied, reproduced, transmitted, transcribed or translated into any language without permission.

Unitron reserves the right to change the specifications of the hardware and software described in these manuals at any time.

Unitron cannot be held liable for any damages resulting from the use of this product. Specifications are subject to change without notice. 03/21

© Unitron - Frankrijklaan 27 - B-8970 Poperinge - Belgium

1. INTRODUCTION

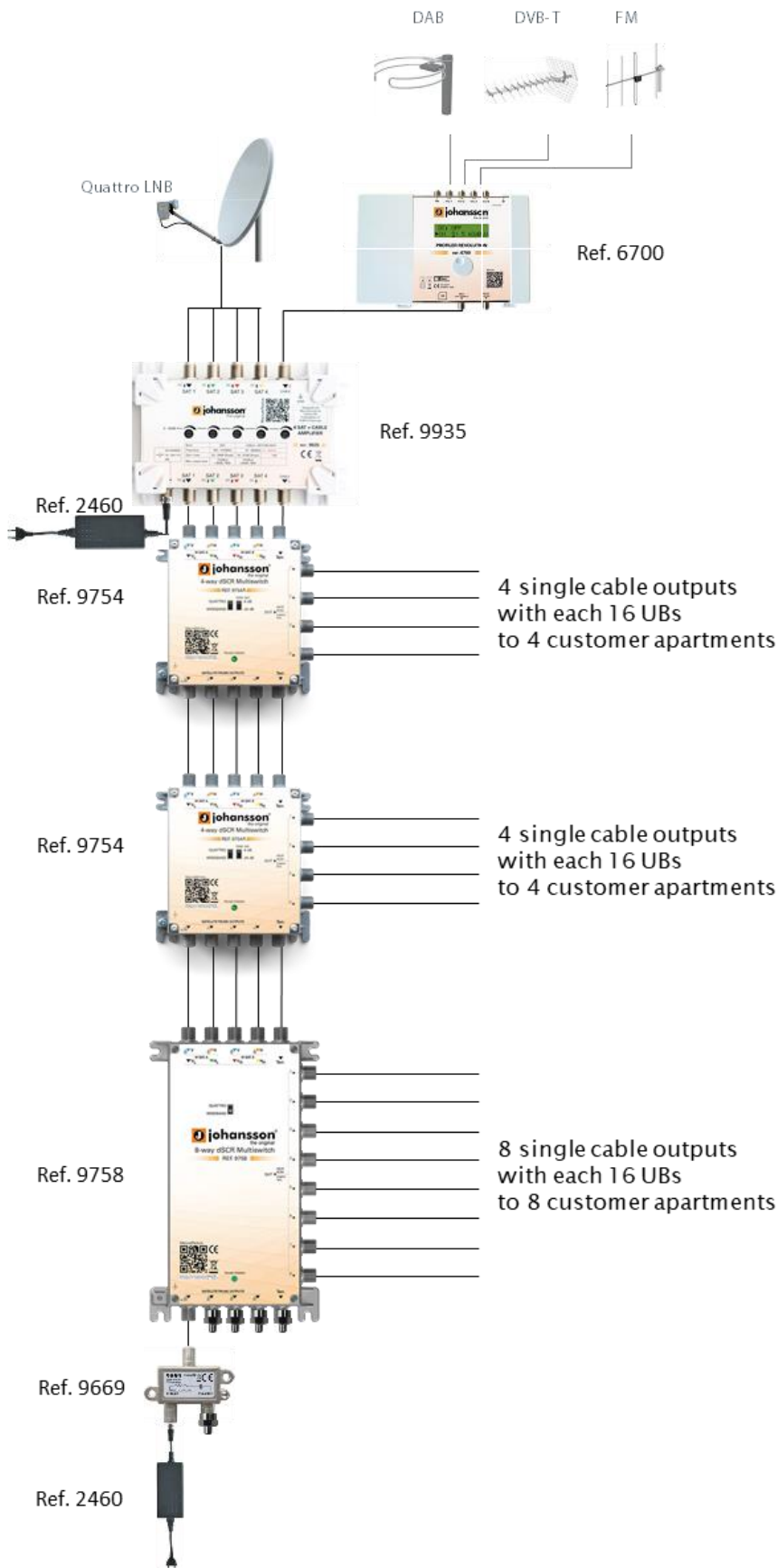
1.1. Product description

- separate adjustment for gain on every line
- fixed pre-slope for satellite and cable
- DC input (F-conn) for powering trunk line amplifiers & LNB

1.2. Package contents

- 1 AMPLIFIER 4X SAT + 1X CABLE (ref. 9935)

1.3. Hardware installation



2. TECHNICAL SPECIFICATIONS

| 9935 | | |
|-------------------|------------|---|
| Inputs | - | 4 SAT + 1 CABLE (+RP) |
| Outputs | - | 5 |
| Frequency range | MHz | SAT.: 950-2300 MHz CABLE.: 5-65MHz + 87-862MHz |
| Gain | dB | SAT.: 22-28dB (sloped) CABLE: 87-862 MHz : 20-27dB (sloped) Return path: -1dB |
| Noise figure | dB | SAT.: 5 CABLE.: 6 |
| Gain Adjustment | dB | SAT.: 20 CABLE.: 20 |
| Max. Output level | dB μ V | SAT.: 115 dB μ V* CABLE.: RP : passive 87-862 MHz: 110 dB μ V ** |
| Consumption | - | 4W from 12 - 20 VDC external power supply (F-conn) or input / output |
| Dimensions | mm | 158 x 102 x 51 |

* -35dB/IM3

** -60dB/IM3

3. SAFETY INSTRUCTIONS



Read these instructions carefully before connecting the unit



To prevent fire, short circuit or shock hazard:

- Do not expose the unit to rain or moisture.
- Install the unit in a dry location without infiltration or condensation of water.
- Do not expose it to dripping or splashing.
- Do not place objects filled with liquids, such as vases, on the apparatus.
- If any liquid should accidentally fall into the cabinet, disconnect the power plug.



To avoid any risk of overheating:

- Install the unit in a well aired location and keep a minimum distance of 15 cm around the apparatus for sufficient ventilation
- Do not place any items such as newspapers, tablecloths, curtains, on the unit that might cover the ventilation holes.
- Do not place any naked flame sources, such as lighted candles, on the apparatus
- Do not install the product in a dusty place
- Use the apparatus only in moderate climates (not in tropical climates)
- Respect the minimum and maximum temperature specifications



To avoid any risk of electrical shocks:

- Connect apparatus only to socket with protective earth connection.
- The mains plug shall remain readily operable
- Pull out power plug to make the different connections of cables
- To avoid electrical shock, do not open the housing of adapter.



Maintenance



Only use a dry soft cloth to clean the cabinet.



Do not use solvent



For repairing and servicing refer to qualified personnel.



Dispose according your local authority's recycling processes

4. CONDITIONS OF WARRANTY

Unitron N.V. warrants the product as being free from defects in material and workmanship for a period of 24 months starting from the date of production indicated on it. See note below.

If during this period of warranty the product proves defective, under normal use, due to defective materials or workmanship, Unitron N.V, at its sole option, will repair or replace the product. Return the product to your local dealer for reparation.

THE WARRANTY IS APPLIED ONLY FOR DEFECTS IN MATERIAL AND WORKMANSHIP AND DOES NOT COVER DAMAGE RESULTING FROM:

- Misuse or use of the product out of its specifications,
- Installation or use in a manner inconsistent with the technical or safety standards in force in the country where the product is used,
- Use of non-suitable accessories (power supply, adapters...),
- Installation in a defect system,
- External cause beyond the control of Unitron N.V. such as drop, accidents, lightning, water, fire, improper ventilation...

THE WARRANTY IS NOT APPLIED IF

- Production date or serial number on the product is illegible, altered, deleted or removed.
- The product has been opened or repaired by a non-authorized person.

NOTE

Date of production can be found in the product's serial number code. The format will either be "YEAR W WEEK" (e.g., 2017W32 = year 2017 week 32) or "YYWW" (e.g., 1732 = year 2017 week 32).

4

μ



www.unitrongroup.com

UNITRON NV
Frankrijklaan 27
B-8970 Poperinge
Belgium

m
