

Parameters

Electrical Parameters:	
Working voltage	DC12~30V (From HDL-MPLPI.46-A)
Power consumption	85mA /DC24V
Terminal	0.6-0.8mm single-core copper cable
Environment conditions:	
Working temperature	-5°C~45°C
Working relative humidity	Up to 90%
Storage temperature	-20°C~+60°C
Storage relative humidity	Up to 93%
Approved:	
CE	
RoHS	
Product Information:	
LCD resolution ratio	480x272
Dimension	86×116.5×10.5 (mm)
Net weight	129g
Housing material	Glass, PC, ABS, Aluminum
Installation	Wall box
Protection rating	IP20

Installation Steps

- Mount the HDL-MPLPI.46-A in the wall box
- Connect bus cables. Make sure the color of wire complies with the definition
- Make sure the Buspro cable type is correct and has no short circuit
- Put this device into HDL-MPLPI.46-A

HDL Buspro Cable Guide

CAT5/CAT5E	HDL Buspro	HDLBuspro/KNX
Brown/ Orange	DC24V	Red
Brown white/ Orange white	COM	Black
Blue white/Green white	DATA-	White
Blue/ Green	DATA+	Yellow

Important Notes

- It must work in conjunction with HDL-MPLPI.46-A
- Buspro connection-Series connection (hand-in-hand)
- Installation-US wall box

Safety Precautions



- Do not make wrong connection on bus interface, it will damage the bus interface of this module
- Never let liquids get into the module, it will damage this module
- Do not get AC power into bus wire, it will damage all device in the system

Overview



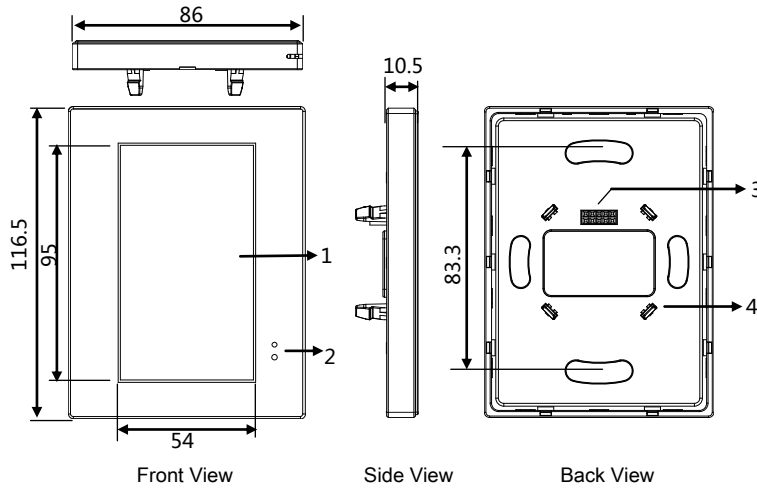
HDL-MPTLC43.46-A is a multi-function touch LCD panel. The panel can control the lighting, scene, music, floor heating. You can touch the screen for controlling.

Functions

- Built-in temperature sensor
- Adjustable LCD backlight
- Wake up function
- According to the time, will change to defined interface automatically, the screen will be dark and enter the power saving mode
- Lighting control: total 60 lights keep pressing the icon, can dim
- AC control: supports 9 air-conditions
- Floor heating control: supports 9 floor heating modules, mode: Heat, Night, Move, Timing
- Music play: supports 9 music player
Music source: SD, CD, BT, FDDI, RADIO
Play list: supports 10 lists, list 1...list 10
- Can check the water and electricity consumption
- Timer function
- Security setting: can set different security mode, such as holiday, away, day, night, etc
- Time function: can display the time, temperature, CO₂, etc.
- Key mode: Invalid, Single on-off, Single on, Single off, etc.
- Key control mode: Scene, Sequence, Timer switch, Single channel on-off, Broadcast scene, Broadcast channel, Curtain, GPRS control, Panel control, etc.
- Panel functions: Lock, Turn on/off AC, cooling & heating for AC, Auto temperature setting, Fan Speed regulating, AC Mode setting, AC Temperature regulating, backlight adjusting, AC Lock, Backlight and status indicator light setting, floor heating temperature and mode setting etc.
- Supports online upgrading

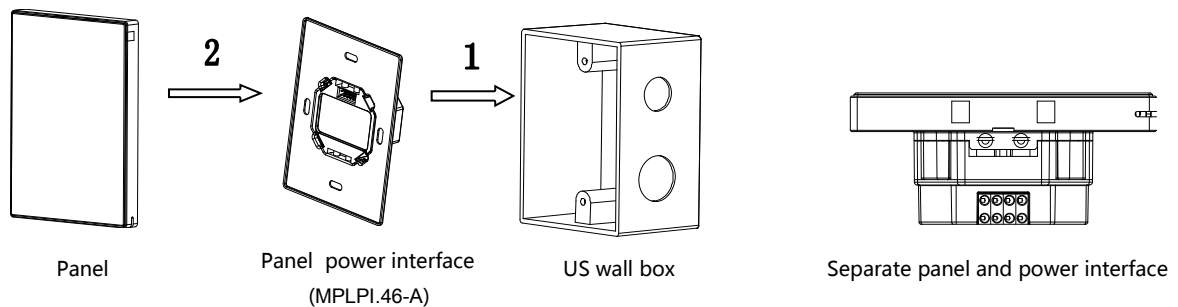


Dimensions and Wiring (Unit: mm)



- 1 **LCD screen:** display the icon and control
- 2 **Wake up function:** IR detection, when people close to the panel, the screen will light
- 3 **Signal interface :** Connect to panel power interface (MPLPI.46-A)
- 4 **Fastener:** Connect to panel power interface (MPLPI.46-A)

Installation



Installation: Hold the edge of panel (shown as above), insert the power interface module vertically.

Split: Panel and panel power interface by magnetic suction, you can split them apart directly.

Package Contents

- Panel*1/ Datasheet*1