

TP7 Retrofit Bracket Instructions: MODEL NO. TP7RBKT

Product description:

The **TP7 Retrofit Bracket** is an adapter for in-wall nearly flush retrofit installation of a TP7 touch screen.

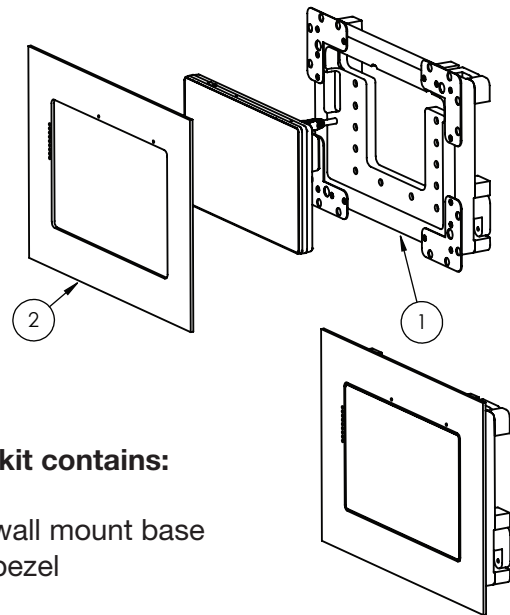
The **TP7 Retrofit Bracket** securely mounts the TP7 touch screen while allowing easy insertion, removal and operation.

Key features and benefits:

- Nearly flush with the wall (0.16 in. [4mm] thick on-wall bezel).
- Wall mount may be mounted in any orientation.
- Allows easy insertion and removal of the touch screen.
- Bezel attaches magnetically to the retrofit wall mount base.

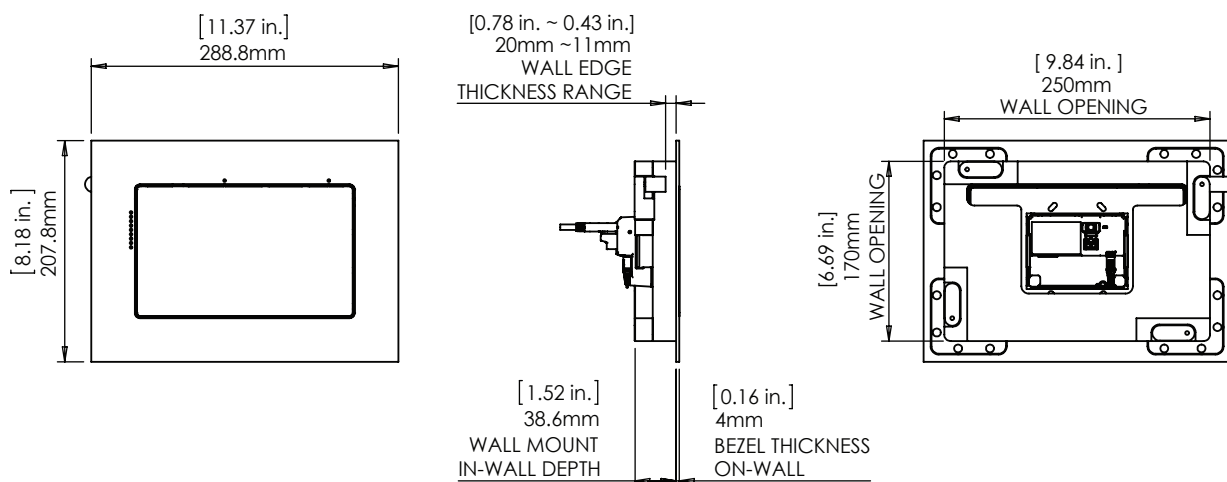
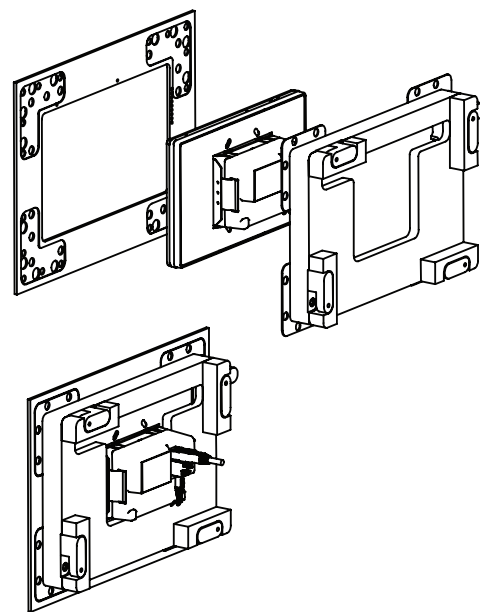
Key properties:

- Dimensions: (W/H/D):
11.37 in. (288mm) X 8.18 in. (207.8mm)
X 1.64 in. (41.6mm)
- Weight: 4.84 lbs. (2.2kg)
- Material: Moisture resistant MDF



Adapter kit contains:

1. One wall mount base
2. One bezel



MODEL NO. TP7RBKT

