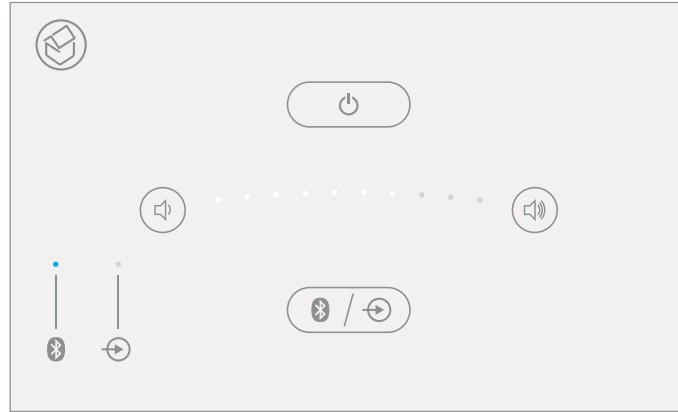


Specification Data Sheet

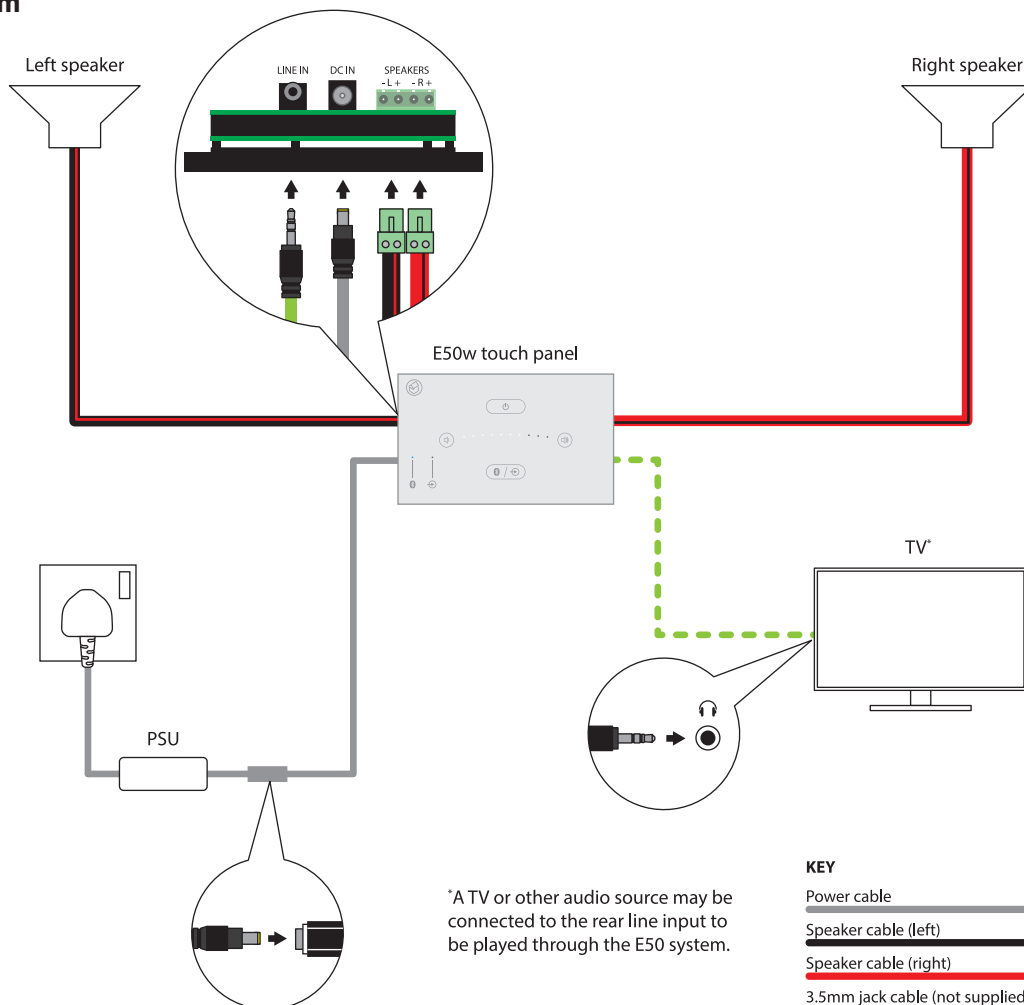
Rev 1.0 November 2018

Armour Home Electronics R&D Department



Systemline E50w is an integrated fitted *Bluetooth* music system which includes a touch sensitive and gesture controlled touch panel fitted into the wall. The touch panel contains amplification for speakers, *Bluetooth* aptX™ enabled receiver and an auxiliary line input on the rear, all contained within one 47mm double gang back box. E50w has been designed to be easy to install and very user friendly. When installed correctly it is splash proof and rated to IP54, making it perfect for bathrooms and kitchens as well as living rooms and bedrooms.

Wiring diagram



Specifications	
<i>Bluetooth</i>	Class 2 <i>Bluetooth</i> 2.1 aptX for CD-quality transmission Secure pairing system Selectable device name to allow multiple units to be used in close proximity Range up to 10m
Aux input	725mV Normal Gain or 250mV Boost Gain
Power output	2 x 18W into 8 Ohms @ 0.5% THD 1kHz
Frequency response	20Hz – 20kHz +/- 1dB
Power supply	110-240 VAC
Ingress protection rating	IP54

